



T&S BRASS AND BRONZE WORKS, INC.

2 Saddleback Cove / P.O. Box 1088
Travelers Rest, SC 29690

Model No.

MPZ-2DLV-06

Item No.

Travelers Rest, SC: 800-476-4103 • Simi Valley, CA: 800-423-0150 • Fax: 864-834-3518 • www.tsbrass.com

For Commercial Use Only

This Space for Architect/Engineer Approval

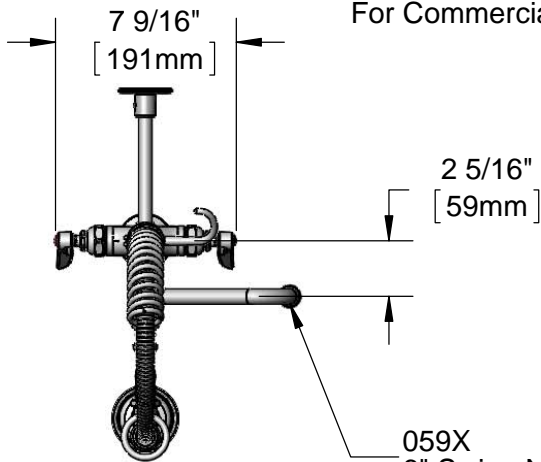
Job Name _____ Date _____

Model Specified _____ Quantity _____

Customer/Wholesaler _____

Contractor _____

Architect/Engineer _____



059X
6" Swing Nozzle w/
Stream Regulator Outlet

24" Flexible Stainless
Steel Hose w/ Spring
& Spray Valve

B-0107
1.42 GPM
Spray Valve

B-0109-01
6" Wall
Bracket

Finger
Hook

3/8" NPT x 5 3/16"
Riser

Add-On Faucet w/
Quarter-Turn Eterna
Cartridge & Lever
Handle

Mounting
Surface

Quarter-Turn Eterna Cartridges
w/ Spring Checks & Lever
Handles w/ Color Coded
Indexes

18" Flexible Stainless
Steel Supply Hoses

Compression Fittings
for 5/8" Copper Tubing
(Remove Compression
Nut for 1/2" NPSM Male)

Items Not Shown
For Clarity

B-0970-FEZ
Vacuum Breaker

Ø 2 1/4"
[57mm]

11 7/8"
[302mm]

14 5/8"
[371mm]

6 3/4"
[171mm]

7 3/8"
[188mm]

1 3/8"
[35mm]
Maximum
Thickness

23 13/16"
[605mm]

Rough-In Requirement:
Ø 1 1/2" [Ø 38mm] Mounting Hole

Product Specifications:

Pre-Rinse Unit: EasyInstall Single Hole Deck Mount Mixing Faucet, Quarter-Turn Eterna Cartridges w/ Spring Checks, Lever Handles, Add-On Faucet w/ 6" Swing Nozzle, Compact Spring, 24" Flexible Stainless Steel Hose, 1.42 GPM Spray Valve, Vacuum Breaker, 6" Wall Bracket & 18" Flexible Supply Hoses

Product Compliance:

ASME A112.18.1 / CSA B125.1
NSF 61 - Section 9
NSF 372 (Low Lead Content)
EPA Act 2005 (PRSV)
CSA B64.8 (VB)



T&S BRASS AND BRONZE WORKS, INC.

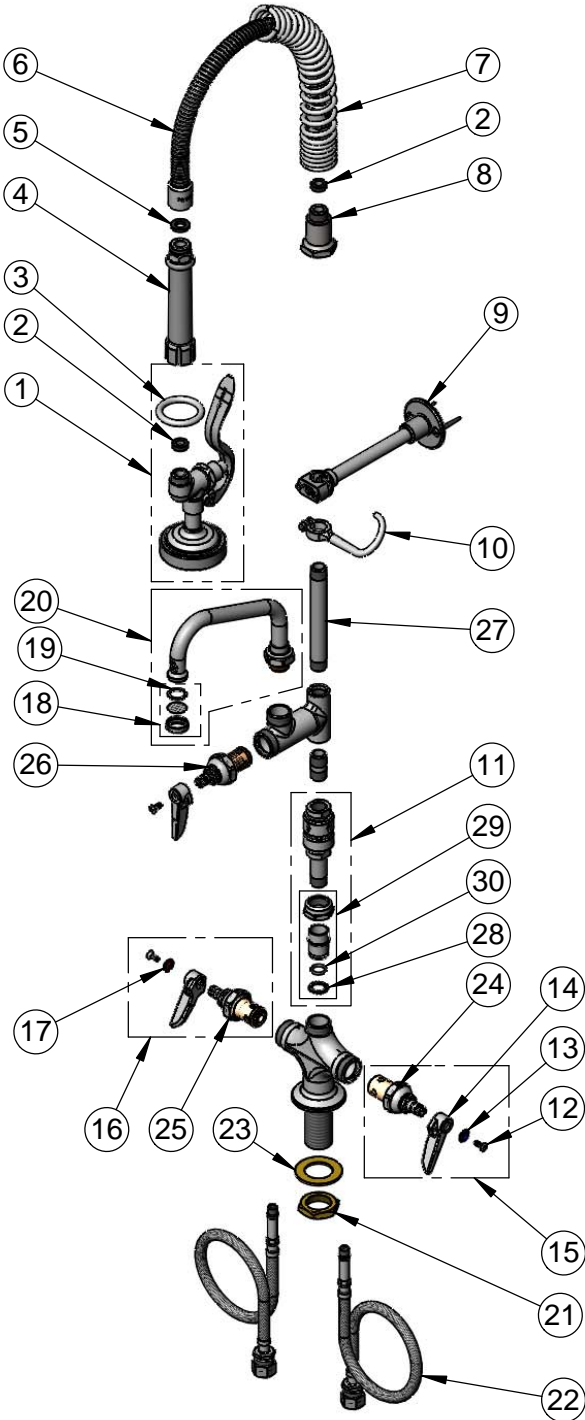
2 Saddleback Cove / P.O. Box 1088
Travelers Rest, SC 29690

Model No.

MPZ-2DLV-06

Item No.

Travelers Rest, SC: 800-476-4103 • Simi Valley, CA: 800-423-0150 • Fax: 864-834-3518 • www.tsbrass.com



ITEM NO.	SALES NO.	DESCRIPTION
1	B-0107	1.42 GPM Spray Valve
2	010476-45	#27 Washer
3	000907-45	Spray Valve Hold Down Ring
4	002987-40	Grip Handle
5	001014-45	Washer, B-0100 Hose Barrel
6	B-0024-H2A	24" Flexible Stainless Steel Hose, Less Handle
7	016795-45	Compact Spring
8	000821-40	Spring Body
9	B-0109-01	6" Wall Bracket
10	004R	Finger Hook
11	B-0970-FEZ	3/8" NPT Vacuum Breaker
12	000922-45	Lever Handle Screw
13	001660-45	Blue Index-CW
14	001638-45	Lever Handle
15	002711-40	Quarter-Turn Eterna Cartridge, LTC w/ Spring Check, Handle, Index & Screw
16	002712-40	Quarter-Turn Eterna Cartridge, RTC w/ Spring Check, Handle, Index & Screw
17	001661-45	Red Index-HW
18	B-PT	Stream Regulator Outlet
19	001048-45	Nozzle Tip Washer
20	059X	6" Swing Nozzle
21	000965-45	Lock Nut
22	012534-45	18" Flexible Supply Hose (2)
23	002290-45	Lock Washer
24	012442-40	Eterna Cartridge, LTC w/ Spring Check
25	012443-40	Eterna Cartridge, RTC w/ Spring Check
26	005960-40QT	Quarter-Turn Eterna Cartridge, RTC
27	001617-40	3/8" NPT x 5-3/16" Riser
28	014200-45	Star Washer, Anti-Rotation
29	EZ-K	EasyInstall Kit: Nut, Bushing, O-Ring & Lock Washer
30	001065-45	O-Ring

Product Specifications:

Pre-Rinse Unit: EasyInstall Single Hole Deck Mount Mixing Faucet, Quarter-Turn Eterna Cartridges w/ Spring Checks, Lever Handles, Add-On Faucet w/ 6" Swing Nozzle, Compact Spring, 24" Flexible Stainless Steel Hose, 1.42 GPM Spray Valve, Vacuum Breaker, 6" Wall Bracket & 18" Flexible Supply Hoses

Product Compliance:

ASME A112.18.1 / CSA B125.1
NSF 61 - Section 9
NSF 372 (Low Lead Content)
EPA Act 2005 (PRSV)
CSA B64.8 (VB)