



T&S BRASS AND BRONZE WORKS, INC.

2 Saddleback Cove / P.O. Box 1088
Travelers Rest, SC 29690

Model No.
MPZ-2DLN-08-CRF

Item No.

Travelers Rest, SC: 800-476-4103 • Simi Valley, CA: 800-423-0150 • Fax: 864-834-3518 • www.tsbrass.com

This Space for Architect/Engineer Approval

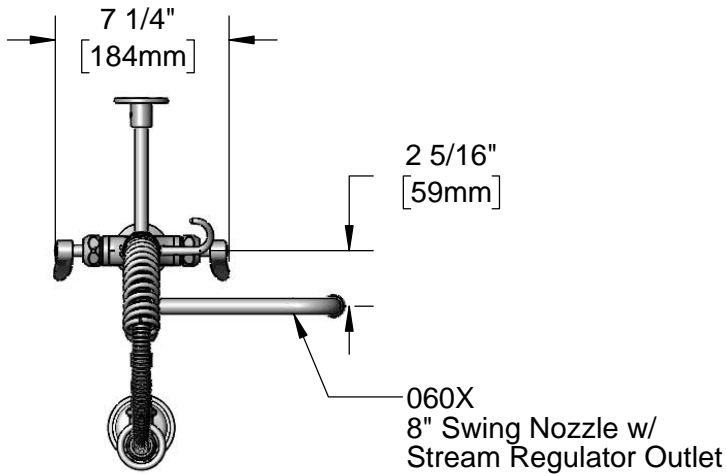
Job Name _____ Date _____

Model Specified _____ Quantity _____

Customer/Wholesaler _____

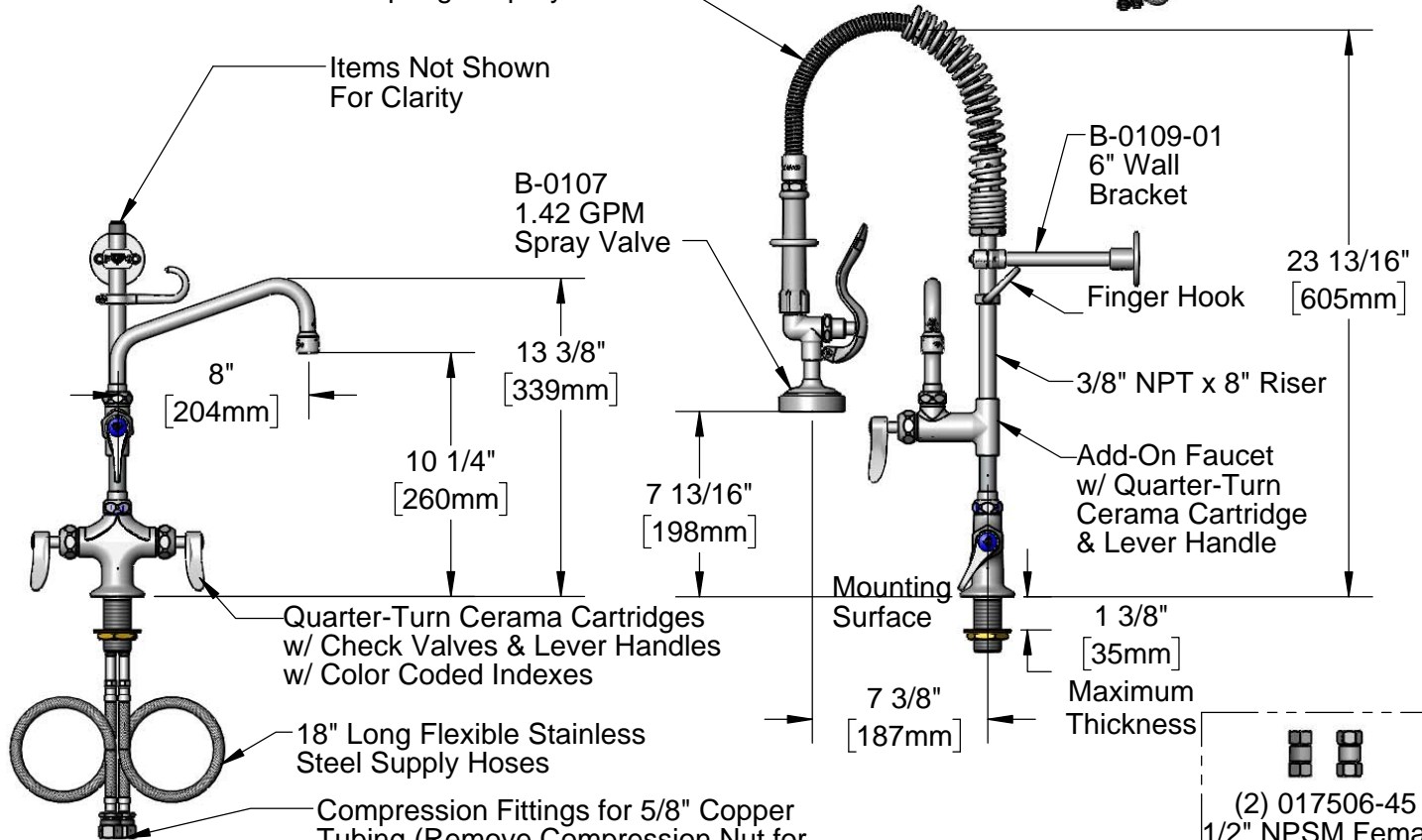
Contractor _____

Architect/Engineer _____



24" Flexible Stainless Steel
Hose w/ Spring & Spray Valve

Items Not Shown
For Clarity



(2) 017506-45
1/2" NPSM Female
Swivel Couplings
(Included)

Rough-In Requirement:
Ø 1 1/2" [38mm] Mounting Hole

Product Specifications:

Pre-Rinse Unit: EasyInstall Single Deck Mount Mixing Faucet, Quarter-Turn Cerama Cartridges w/ Check Valves, Lever Handles, Add-On Faucet w/ 8" Swing Nozzle, Compact Spring, 24" Flexible Stainless Steel Hose, 1.42 GPM Spray Valve, 6" Wall Bracket & (2) 18" Flexible Supply Hoses & 1/2" NPSM Female Swivel Couplings

Product Compliance:

ASME A112.18.1 / CSA B125.1
NSF 61 - Section 9
NSF 372 (Low Lead Content)
EPA Act 2005 (PRSV)
For Commercial Use Only



T&S BRASS AND BRONZE WORKS, INC.

2 Saddleback Cove / P.O. Box 1088
Travelers Rest, SC 29690

Model No.
MPZ-2DLN-08-CRF

Item No.

Travelers Rest, SC: 800-476-4103 • Simi Valley, CA: 800-423-0150 • Fax: 864-834-3518 • www.tsbrass.com

	ITEM NO.	SALES NO.	DESCRIPTION
	1	B-0107	1.43 GPM Spray Valve
	2	010476-45	#27 Washer
	3	000907-45	Spray Valve Hold Down Ring
	4	002987-40	Grip Handle
	5	001014-45	Washer, B-0100 Hose Barrel
	6	B-0024-H2A	24" Flexible Stainless Steel Hose, Less Handle
	7	016795-45	Compact Spring
	8	000821-40	Spring Body
	9	004R	Finger Hook
	10	B-0109-01	6" Wall Bracket
	11	000364-40	Nipple, 3/8" NPT x 8"
	12	EZ-K	EasyInstall Kit: Nut, Bushing, O-Ring & Lock Washer
	13	001065-45	O-ring
	14	014200-45	Star Washer, Anti-Rotation
	15	012447-25NS	Quarter-Turn Cerama Cartridge w/ Check Valve, Handle, Blue Index & Screw, LTC
	16	012395-25NS	Quarter-Turn Cerama Cartridge, LTC w/ Check Valve
	17	001638-45NS	Lever Handle (New Style)
	18	018506-19NS	Blue Button Index, Press-in
	19	002290-45	Lock Washer
	20	000965-45	Lock Nut
	21	012534-45	18" Flexible Supply Hose (2)
	22	012446-25NS	Quarter-Turn Cerama Cartridge w/ Check Valve, Handle, Red Index & Screw, RTC
	23	012394-25NS	Quarter-Turn Cerama Cartridge w/ Check Valve, RTC
	24	000925-45	Lab Handle Screw
	25	001193-19NS	Red Button Index, Press-in
	26	B-PT	Stream Regulator Outlet
	27	060X	8" Swing Nozzle
	28	017506-45	1/2" NPSM Female Swivel Coupling (2)

Product Specifications:

Pre-Rinse Unit: EasyInstall Single Deck Mount Mixing Faucet, Quarter-Turn Cerama Cartridges w/ Check Valves, Lever Handles, Add-On Faucet w/ 8" Swing Nozzle, Compact Spring, 24" Flexible Stainless Steel Hose, 1.42 GPM Spray Valve, 6" Wall Bracket & (2) 18" Flexible Supply Hoses & 1/2" NPSM Female Swivel Couplings

Product Compliance:

ASME A112.18.1 / CSA B125.1
NSF 61 - Section 9
NSF 372 (Low Lead Content)
EPA Act 2005 (PRSV)
For Commercial Use Only