



T&S BRASS AND BRONZE WORKS, INC.

2 Saddleback Cove / P.O. Box 1088
Travelers Rest, SC 29690

Model No.

MPY-2DCV-08

Item No.

Travelers Rest, SC: 800-476-4103 • Simi Valley, CA: 800-423-0150 • Fax: 864-834-3518 • www.tsbrass.com

For Commercial Use Only

This Space for Architect/Engineer Approval

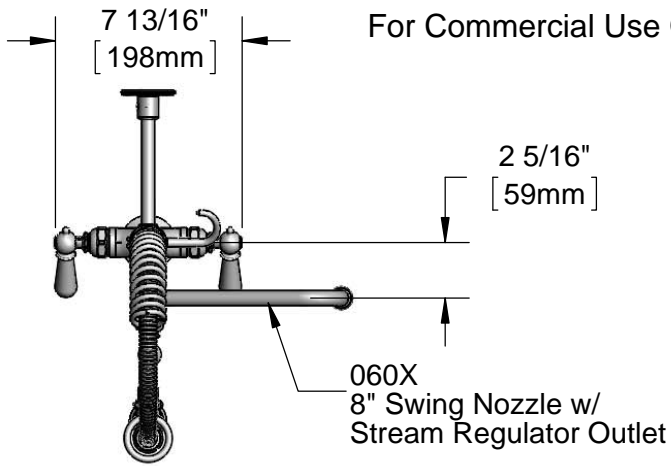
Job Name _____ Date _____

Model Specified _____ Quantity _____

Customer/Wholesaler _____

Contractor _____

Architect/Engineer _____



060X
8" Swing Nozzle w/
Stream Regulator Outlet

24" Flexible Stainless
Steel Hose w/ Spring
& Spray Valve

Items Not Shown
For Clarity
3/8" NPT x 5 3/16"
Riser

B-0107-C
0.65 GPM Low
Flow Spray Valve



Finger Hook

B-0109-01
6" Wall
Bracket

23 13/16"
[605mm]

B-0970-FEZ
Vacuum
Breaker

8"
[203mm]

15 3/16"
[386mm]

12 7/16"
[316mm]

5 11/16"
[144mm]

Add-On Faucet w/
Quarter-Turn Eterna
Cartridge & Club
Handle

Mounting Surface

Ø2 1/4"
[57mm]

Quarter-Turn Eterna
Cartridges w/ Spring
Checks & Club Handles
w/ Coded Indexes

7 3/8"
[188mm]

1 3/8"
[35mm]
Maximum
Thickness

18" Flexible Stainless
Steel Supply Hoses

Compression Fittings
for 5/8" Copper Tubing
(Remove Compression
Nut for 1/2" NPSM Male)

Rough-In Requirement:
Ø1 1/2" [38mm] Mounting Hole

Product Specifications:

Pre-Rinse Unit: EasyInstall Single Hole Deck Mount Mixing Faucet, Quarter-Turn Eterna Cartridges w/ Spring Checks, Club Handles, Add-On Faucet w/ 8" Swing Nozzle, Vacuum Breaker, Compact Spring, 24" Flexible Stainless Steel Hose, 0.65 GPM Low Flow Spray Valve, 6" Wall Bracket & 18" Flexible Supply Hoses

Product Compliance:

ASME A112.18.1 / CSA B125.1
NSF 61 - Section 9
NSF 372 (Low Lead Content)
EPA Act 2005 (PRSV)
EPA WaterSense (PRSV)
CSA B64.8 (VB)



T&S BRASS AND BRONZE WORKS, INC.

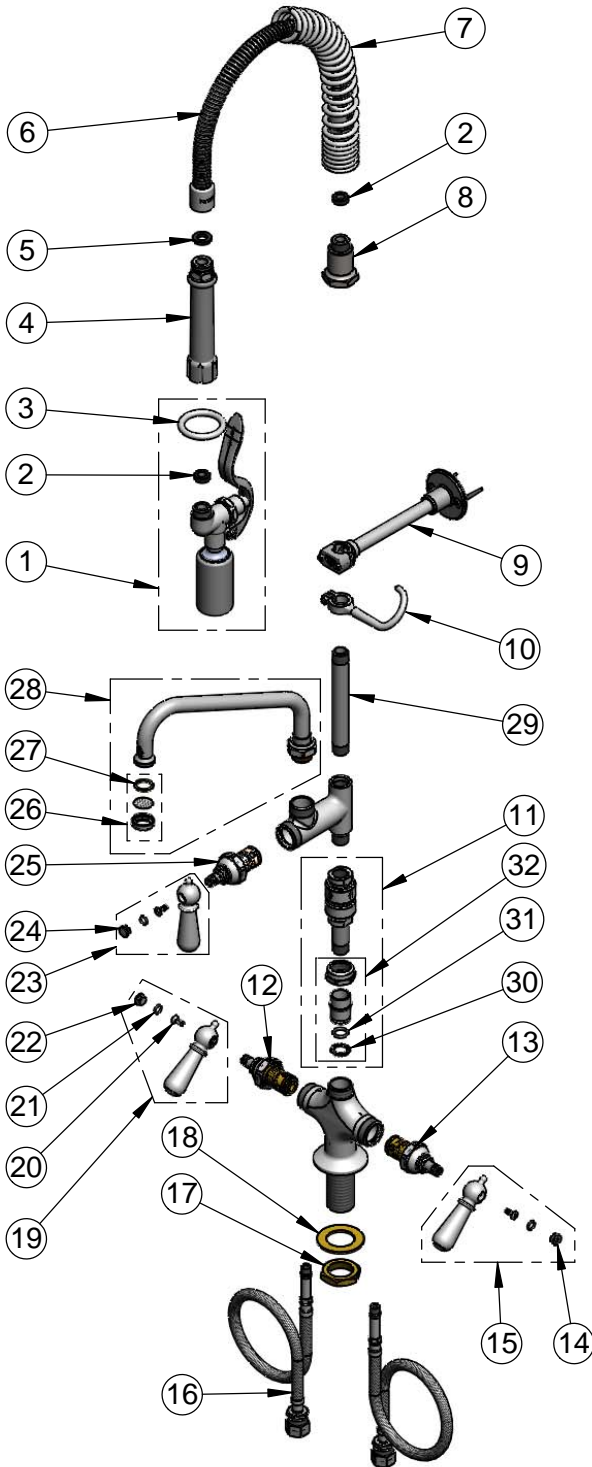
2 Saddleback Cove / P.O. Box 1088
Travelers Rest, SC 29690

Model No.

MPY-2DCV-08

Item No.

Travelers Rest, SC: 800-476-4103 • Simi Valley, CA: 800-423-0150 • Fax: 864-834-3518 • www.tsbrass.com



ITEM NO.	SALES NO.	DESCRIPTION
1	B-0107-C	0.65 GPM Low Flow Spray Valve
2	010476-45	#27 Washer
3	000907-45	Spray Valve Hold Down Ring
4	002987-40	Grip Handle
5	001014-45	Washer, B-0100 Hose Barrel
6	B-0024-H2A	24" Flexible Stainless Steel Hose, Less Nozzle
7	016795-45	Compact Spring
8	000821-40	Spring Body
9	B-0109-01	6" Wall Bracket
10	004R	Finger Hook
11	B-0970-FEZ	EasyInstall Vacuum Breaker
12	012443-40	Quarter-Turn Eterna Cartridge, RTC w/ Spring Check
13	012442-40	Quarter-Turn Eterna Cartridge, LTC w/ Spring Check
14	009304-41	Decorative Cap Insert, Cold
15	009331-41	Decorative Handle - Cold
16	012534-45	18" Flexible Supply Hose (2)
17	000965-45	Lock Nut
18	002290-45	Lock Washer
19	009332-41	Decorative Handle - Hot
20	000922-45	Lever Handle Screw
21	001066-45	O-Ring
22	009303-41	Decorative Cap Insert, Hot
23	017181-41	Decorative Handle - Blank
24	009285-40	Cap Insert Blank
25	005960-40QT	Quarter-Turn Eterna Cartridge, RTC
26	B-PT	Stream Regulator Outlet
27	001048-45	Nozzle Tip Washer
28	060X	8" Swing Nozzle
29	001617-40	3/8" NPT x 5 3/16" Riser
30	014200-45	Star Washer, Anti-Rotation
31	001065-45	O-Ring
32	EZ-K	EasyInstall Kit: Nut, Bushing, O-Ring & Lock Washer

Product Specifications:

Pre-Rinse Unit: EasyInstall Single Hole Deck Mount Mixing Faucet, Quarter-Turn Eterna Cartridges w/ Spring Checks, Club Handles, Add-On Faucet w/ 8" Swing Nozzle, Vacuum Breaker, Compact Spring, 24" Flexible Stainless Steel Hose, 0.65 GPM Low Flow Spray Valve, 6" Wall Bracket & 18" Flexible Supply Hoses

Product Compliance:

ASME A112.18.1 / CSA B125.1
NSF 61 - Section 9
NSF 372 (Low Lead Content)
EPA Act 2005 (PRSV)
EPA WaterSense (PRSV)
CSA B64.8 (VB)