



T&S BRASS AND BRONZE WORKS, INC.

2 Saddleback Cove / P.O. Box 1088
Travelers Rest, SC 29690

Model No.

MPR-8WLN-12

Item No.

Travelers Rest, SC: 800-476-4103 • Simi Valley, CA: 800-423-0150 • Fax: 864-834-3518 • www.tsbrass.com

This Space for Architect/Engineer Approval

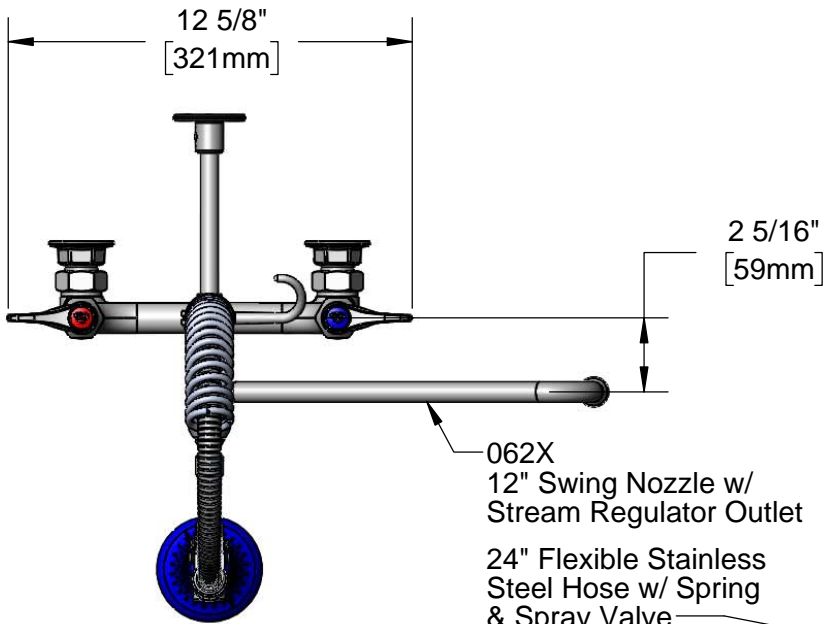
Job Name _____ Date _____

Model Specified _____ Quantity _____

Customer/Wholesaler _____

Contractor _____

Architect/Engineer _____



062X
12" Swing Nozzle w/
Stream Regulator Outlet

24" Flexible Stainless
Steel Hose w/ Spring
& Spray Valve

Items Not Shown
For Clarity

3/8" NPT x 8" Riser

B-0108
1.48 GPM
JeTSpray Valve

EasyInstall
Lock Nut &
Bushing

12" [305mm]

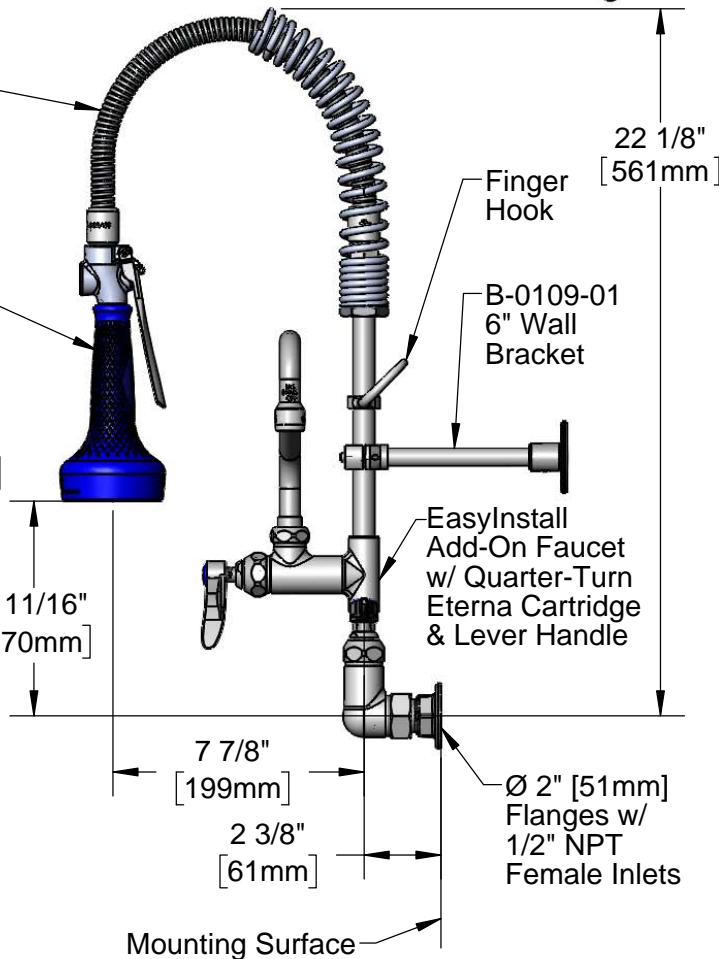
12 1/16" [306mm]

8 7/8" [226mm]

Quarter-Turn Eterna
Cartridges w/ Spring
Checks & Lever
Handles w/ Color
Coded Indexes

8" [203mm]

Adjustable From
7 3/4" to 8 1/4"
[197mm to 210mm]



22 1/8" [561mm]

Finger
Hook

B-0109-01
6" Wall
Bracket

EasyInstall
Add-On Faucet
w/ Quarter-Turn
Eterna Cartridge
& Lever Handle

6 11/16" [170mm]

7 7/8" [199mm]

2 3/8" [61mm]

Ø 2" [51mm]
Flanges w/
1/2" NPT
Female Inlets

Mounting Surface

Product Specifications:

EasyInstall Pre-Rinse Unit: 8" Wall Mount Mixing Faucet, Quarter-Turn Eterna Cartridges w/ Spring Checks, Lever Handles, Add-On Faucet w/ 12" Swing Nozzle, Compact Spring, 24" Flexible Stainless Steel Hose, 1.48 GPM JeTSpray Valve, 6" Wall Bracket & 1/2" NPT Female Inlets

Product Compliance:

ASME A112.18.1 / CSA B125.1
NSF 61 - Section 9
NSF 372 (Low Lead Content)
EPA Act 2005 (PRSV)
For Commercial Use Only



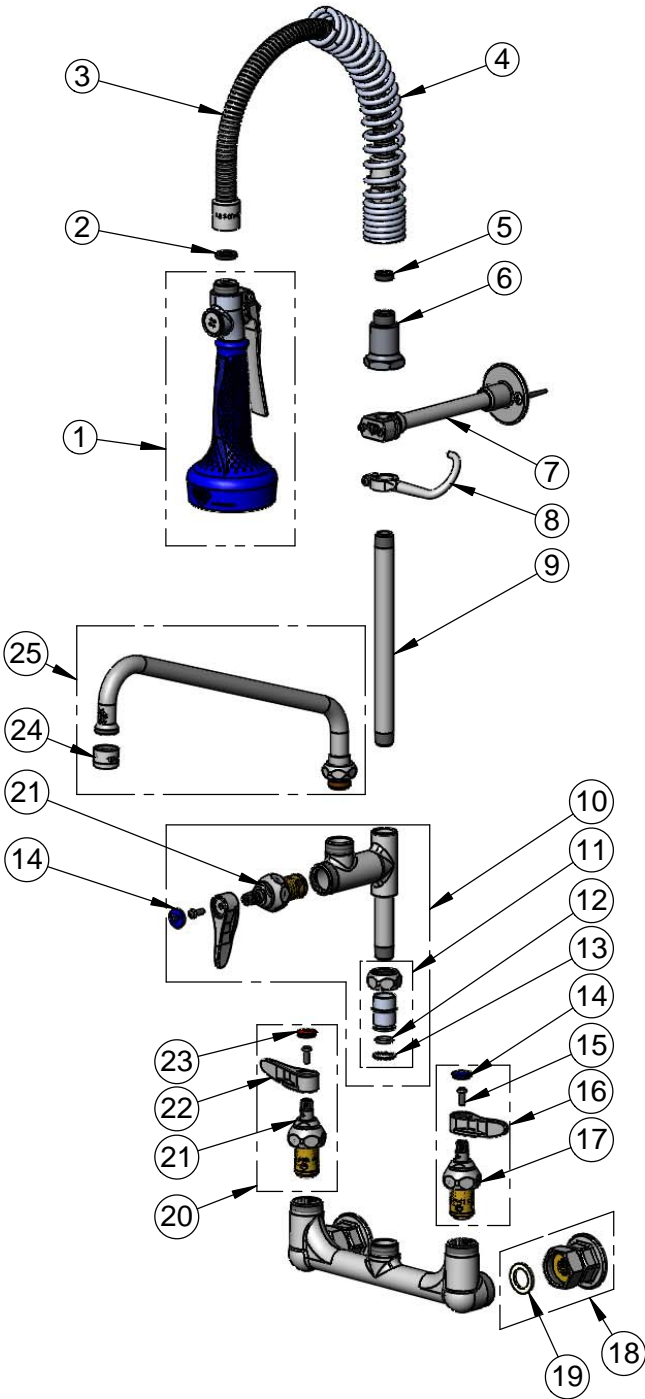
T&S BRASS AND BRONZE WORKS, INC.
 2 Saddleback Cove / P.O. Box 1088
 Travelers Rest, SC 29690

Model No.
MPR-8WLN-12

Item No.

Travelers Rest, SC: 800-476-4103 • Simi Valley, CA: 800-423-0150 • Fax: 864-834-3518 • www.tsbrass.com

ITEM NO.	SALES NO.	DESCRIPTION
1	B-0108	1.48 GPM JeTSpray Valve w/ Ergo-Grip
2	001014-45	Washer, B-0100 Hose Barrel
3	B-0024-H2A	24" Flexible Stainless Steel Hose, Less Handle
4	016795-45	Compact Spring
5	010476-45	#27 Washer
6	000821-40	Spring Body
7	004R	Finger Hook
8	B-0109-01	6" Wall Bracket
9	078X	3/8" NPT x 8" Riser
10	B-0155-LNEZ	EasyInstall Add-On Faucet, Less Nozzle
11	EZ-K	EasyInstall Kit: Nut, Bushing, O-Ring & Lock Washer
12	001065-45	O-Ring
13	014200-45	Star Washer, Anti-Rotation
14	018506-19NS	Blue Button Index, Press-in
15	000925-45	Lab Handle Screw
16	002711-40NS	Quarter-Turn Eterna Cartridge, LTC w/ Spring Check, Handle, Index & Screw
17	012442-40NS	Quarter-Turn Eterna Cartridge, LTC w/ Spring Check
18	00AA	1/2" NPT Female Eccentric Flange
19	001019-45	Coupling Nut Washer
20	002712-40NS	Quarter-Turn Eterna Cartridge, RTC w/ Spring Check, Handle, Index & Screw
21	012443-40NS	Packing Nut (New Style)
22	001638-45NS	Lever Handle (New Style)
23	001193-19NS	Red Button Index, Press-in
24	B-PT	Full Flow Stream Regulator, 55/64-27
25	062X	12" Swing Nozzle w/ Stream Regulator Outlet



Product Specifications:
 EasyInstall Pre-Rinse Unit: 8" Wall Mount Mixing Faucet, Quarter-Turn Eterna Cartridges w/ Spring Checks, Lever Handles, Add-On Faucet w/ 12" Swing Nozzle, Compact Spring, 24" Flexible Stainless Steel Hose, 1.48 GPM JeTSpray Valve, 6" Wall Bracket & 1/2" NPT Female Inlets

Product Compliance:
 ASME A112.18.1 / CSA B125.1
 NSF 61 - Section 9
 NSF 372 (Low Lead Content)
 EPAct 2005 (PRSV)
 For Commercial Use Only