



# T&S BRASS AND BRONZE WORKS, INC.

2 Saddleback Cove / P.O. Box 1088  
Travelers Rest, SC 29690

Model No.

**MPQ-8WLV-08-CR**

Item No.

Travelers Rest, SC: 800-476-4103 • Simi Valley, CA: 800-423-0150 • Fax: 864-834-3518 • www.tsbrass.com

This Space for Architect/Engineer Approval

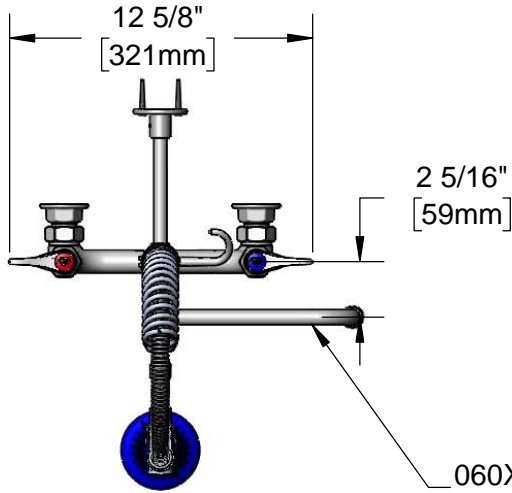
Job Name \_\_\_\_\_ Date \_\_\_\_\_

Model Specified \_\_\_\_\_ Quantity \_\_\_\_\_

Customer/Wholesaler \_\_\_\_\_

Contractor \_\_\_\_\_

Architect/Engineer \_\_\_\_\_



2 5/16"  
[59mm]

060X  
8" Swing Nozzle w/  
Stream Regulator Outlet

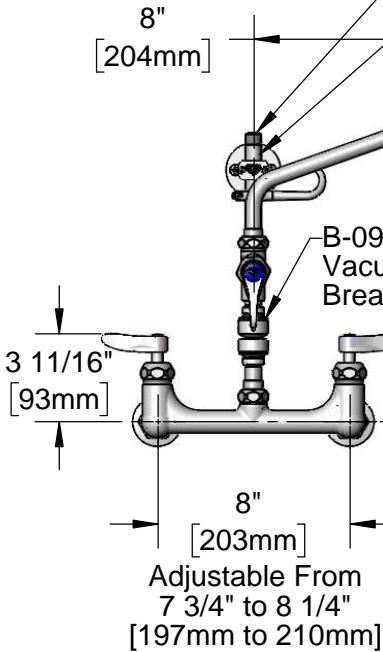
24" Flexible Stainless  
Steel Hose w/ Spring  
& Spray Valve



Items Not Shown  
For Clarity

3/8" NPT x 5 3/16"  
Riser

B-0108-C  
0.65 GPM Low  
Flow JetSpray  
Valve



8"  
[204mm]

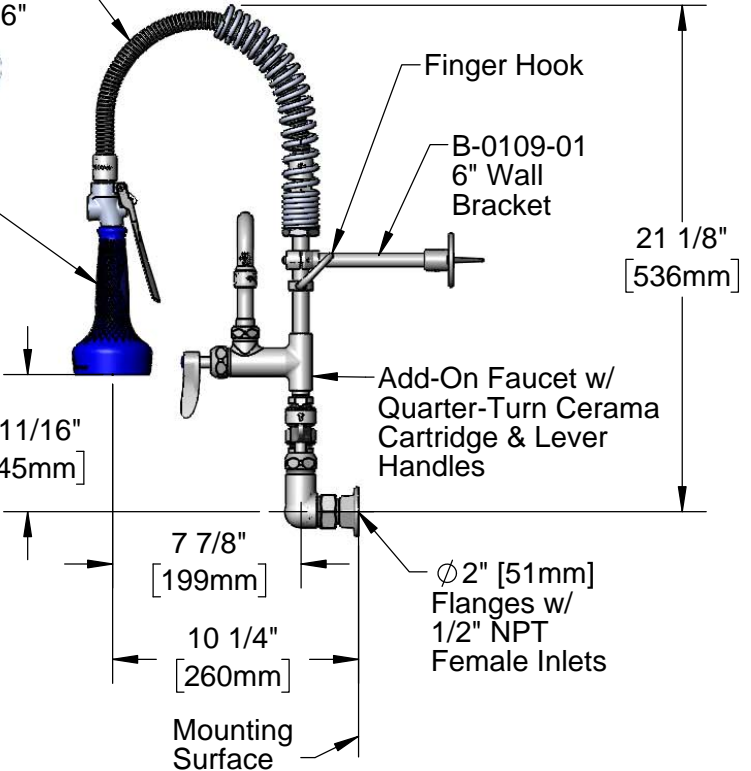
3 11/16"  
[93mm]

8"  
[203mm]  
Adjustable From  
7 3/4" to 8 1/4"  
[197mm to 210mm]

B-0970-FEZ  
Vacuum  
Breaker

9 3/8"  
[237mm]  
12 1/2"  
[317mm]

Quarter-Turn Cerama  
Cartridges w/ Check  
Valves & Lever Handles  
w/ Color Coded Indexes



5 11/16"  
[145mm]

Finger Hook

B-0109-01  
6" Wall  
Bracket

21 1/8"  
[536mm]

Add-On Faucet w/  
Quarter-Turn Cerama  
Cartridge & Lever  
Handles

7 7/8"  
[199mm]

Ø2" [51mm]  
Flanges w/  
1/2" NPT  
Female Inlets

10 1/4"  
[260mm]

Mounting  
Surface

**Product Specifications:**

Easy Install Pre-Rinse Unit:  
8" Wall Mount Mixing Faucet, Quarter-Turn Cerama Cartridges w/ Check  
Valves, Lever Handles, Add-On Faucet w/ 8" Swing Nozzle, Vacuum Breaker,  
Compact Spring, 24" Flexible Stainless Steel Hose, 0.65 GPM Low Flow Spray  
Valve, 6" Wall Bracket & 1/2" NPT Female Inlets

**Product Compliance:**

ASME A112.18.1 / CSA B125.1  
NSF 61 - Section 9  
NSF 372 (Low Lead Content)  
EPA Act 2005 (PRSV)  
EPA WaterSense (PRSV)  
CSA B64.8 (VB)  
For Commercial Use Only



# T&S BRASS AND BRONZE WORKS, INC.

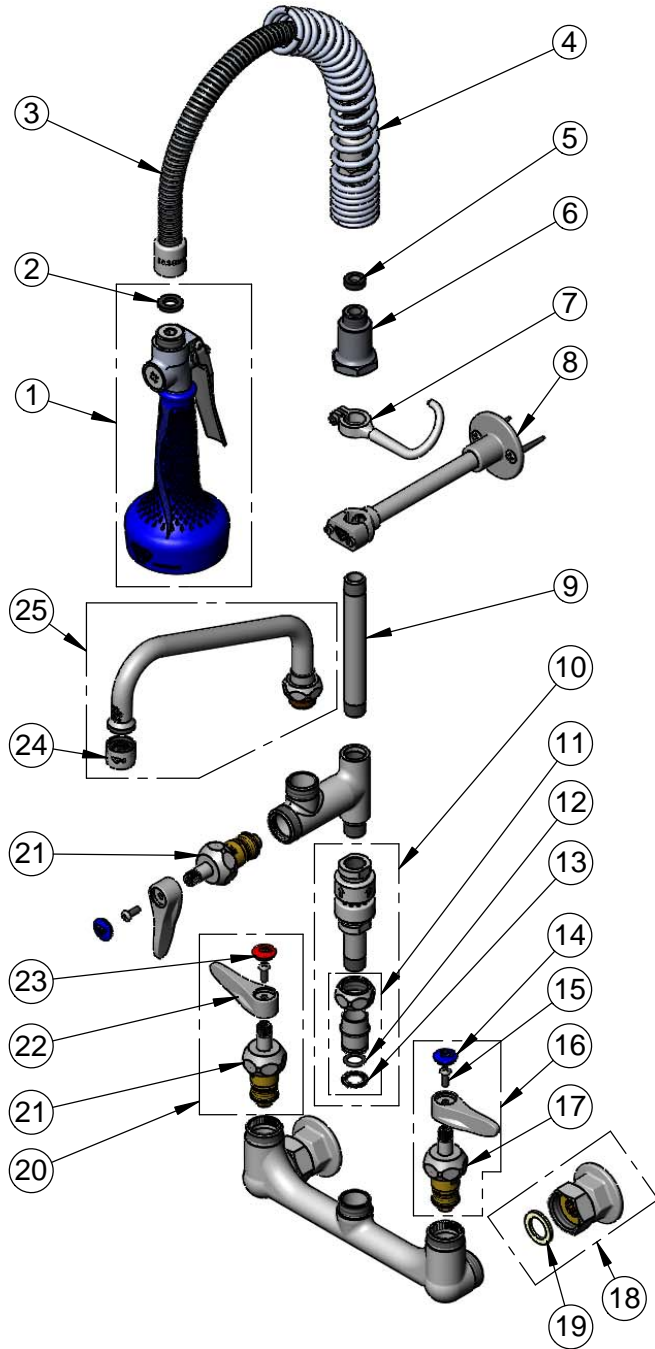
2 Saddleback Cove / P.O. Box 1088  
Travelers Rest, SC 29690

Model No.

**MPQ-8WLV-08-CR**

Item No.

Travelers Rest, SC: 800-476-4103 • Simi Valley, CA: 800-423-0150 • Fax: 864-834-3518 • www.tsbrass.com



ITEM NO.	SALES NO.	DESCRIPTION
1	B-0108-C	0.65 GPM Low Flow JetSpray Valve
2	001014-45	Washer, B-0100 Hose Barrel
3	B-0024-H2A	24" Flexible Stainless Steel Hose, Less Handle
4	016795-45	Compact Spring
5	010476-45	#27 Washer
6	000821-40	Spring Body
7	004R	Finger Hook
8	B-0109-01	6" Wall Bracket
9	001617-40	3/8" NPT x 5-3/16" Riser
10	B-0970-FEZ	EasyInstall Vacuum Breaker
11	EZ-K	EasyInstall Kit: Nut, Bushing, O-Ring & Lock Washer
12	001065-45	O-Ring
13	014200-45	Star Washer, Anti-Rotation
14	018506-19NS	Blue Button Index, Press-in
15	000925-45	Lab Handle Screw
16	012447-25NS	Quarter-Turn Cerama Cartridge w/ Check Valve, Handle, Blue Index & Screw, LTC
17	012395-25NS	Quarter-Turn Cerama Cartridge w/ Check Valve, LTC
18	00AA	1/2" NPT Female Eccentric Flange
19	001019-45	Coupling Nut Washer
20	012446-25NS	Quarter-Turn Cerama Cartridge w/ Check Valve, Handle, Red Index & Screw, RTC
21	012394-25NS	Quarter-Turn Cerama Cartridge w/ Check Valve, RTC
22	001638-45NS	Lever Handle (New Style)
23	001193-19NS	Red Button Index, Press-in
24	B-PT	Full Flow Stream Regulator, 55/64-27
25	060X	8" Swing Nozzle

**Product Specifications:**

Easy Install Pre-Rinse Unit:  
8" Wall Mount Mixing Faucet, Quarter-Turn Cerama Cartridges w/ Check Valves, Lever Handles, Add-On Faucet w/ 8" Swing Nozzle, Vacuum Breaker, Compact Spring, 24" Flexible Stainless Steel Hose, 0.65 GPM Low Flow Spray Valve, 6" Wall Bracket & 1/2" NPT Female Inlets

**Product Compliance:**

ASME A112.18.1 / CSA B125.1  
NSF 61 - Section 9  
NSF 372 (Low Lead Content)  
EPA Act 2005 (PRSV)  
EPA WaterSense (PRSV)  
CSA B64.8 (VB)  
For Commercial use Only