



T&S BRASS AND BRONZE WORKS, INC.
 2 Saddleback Cove / P.O. Box 1088
 Travelers Rest, SC 29690

Model No.
G018477-45

Item No.

Travelers Rest, SC: 800-476-4103 • Simi Valley, CA: 800-423-0150 • Fax: 864-834-3518 • www.tsbrass.com

This Space for Architect/Engineer Approval

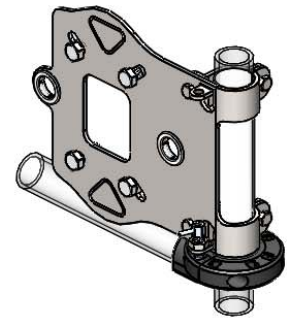
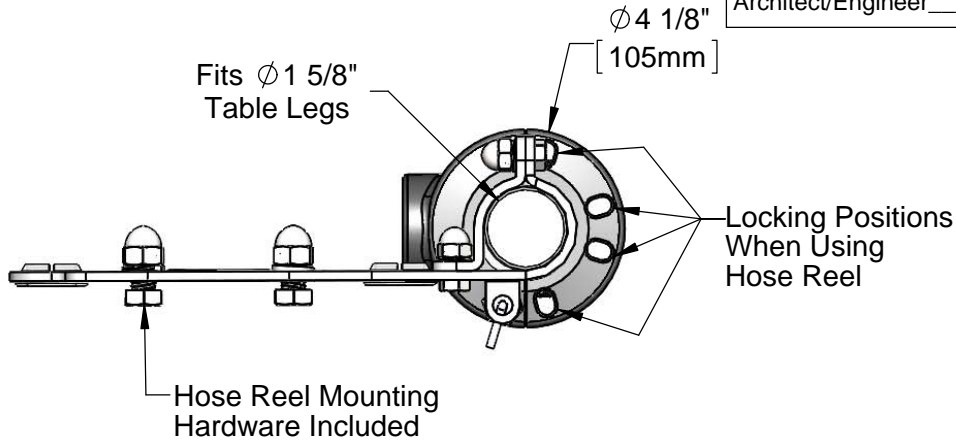
Job Name _____ Date _____

Model Specified _____ Quantity _____

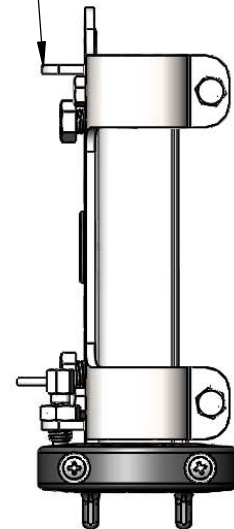
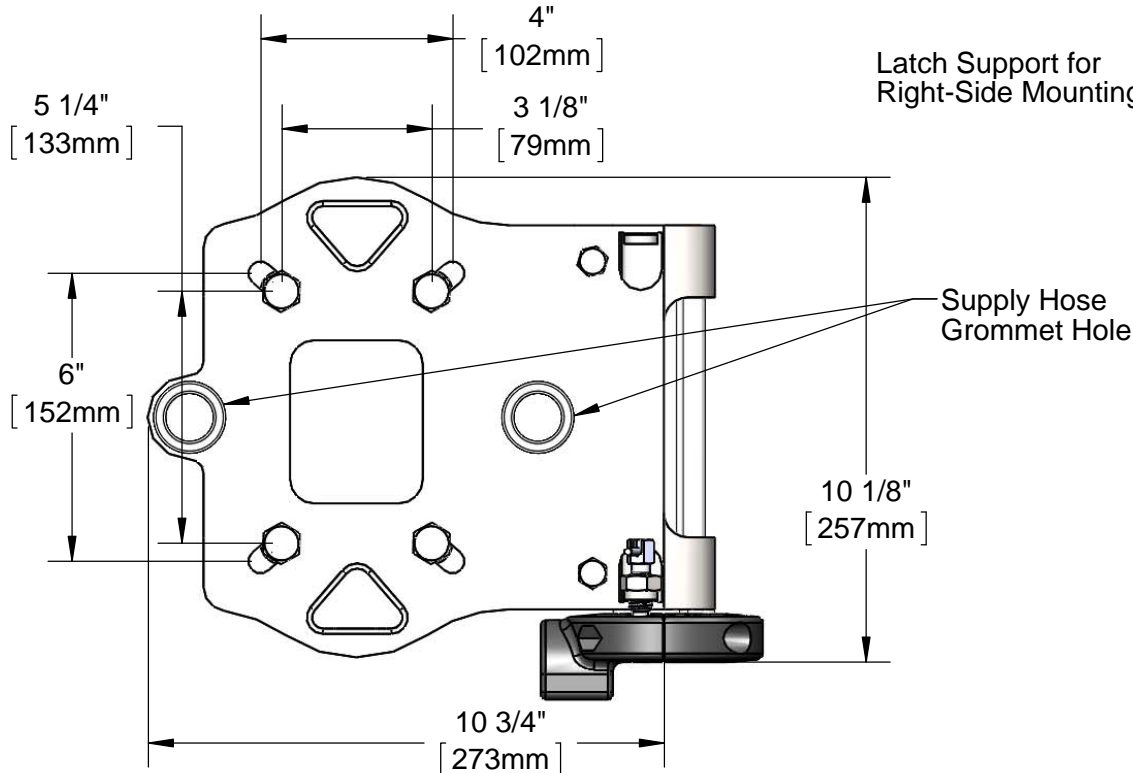
Customer/Wholesaler _____

Contractor _____

Architect/Engineer _____



Shown Left-Side Mounted



Product Specifications:
Stainless Steel Table Leg Hose Reel Swing Bracket
 Fits All T&S 3/8" & 1/2" Hose Reels

Product Compliance:



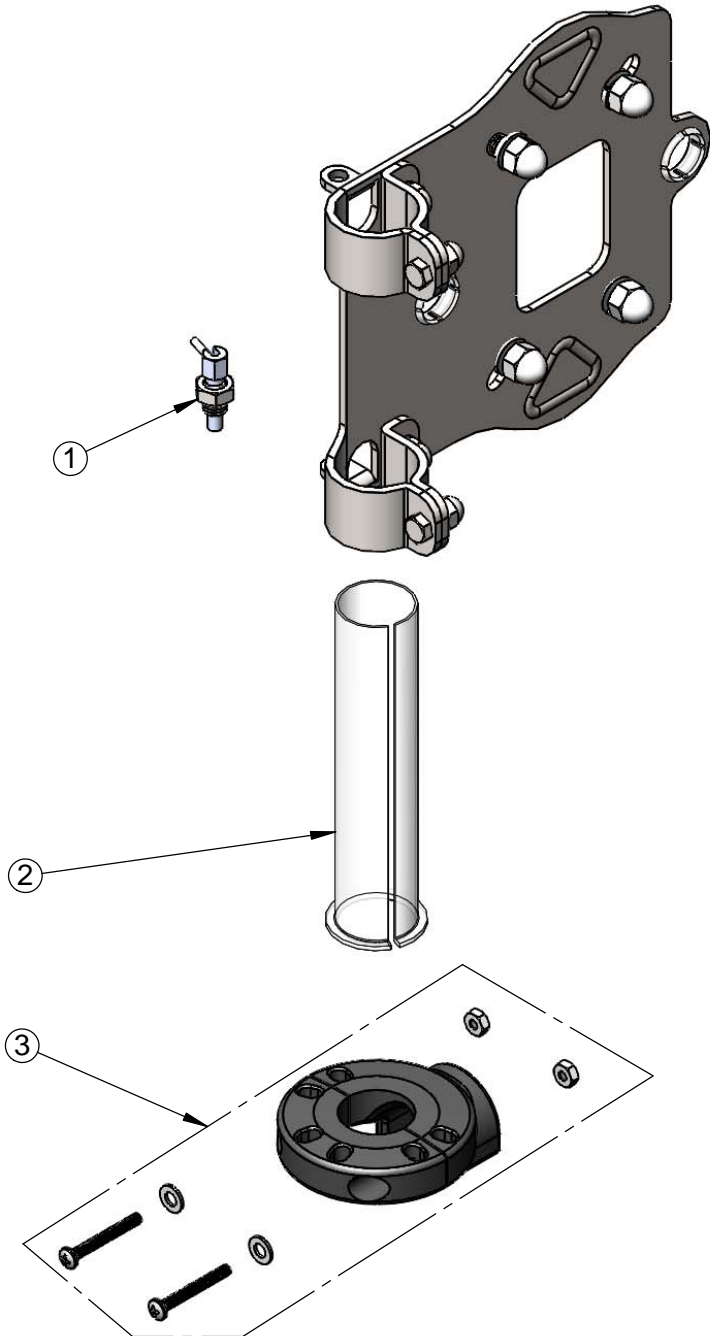
T&S BRASS AND BRONZE WORKS, INC.
 2 Saddleback Cove / P.O. Box 1088
 Travelers Rest, SC 29690

Model No.
G018477-45

Item No.

Travelers Rest, SC: 800-476-4103 • Simi Valley, CA: 800-423-0150 • Fax: 864-834-3518 • www.tsbrass.com

ITEM NO.	SALES NO.	DESCRIPTION
1	018470-45	Spring-Loaded Latch
2	018469-45	Table Leg Sleeve
3	018478-45	Swing Bracket Support Kit



Product Specifications:
Stainless Steel Table Leg Hose Reel Swing Bracket
 Fits All T&S 3/8" & 1/2" Hose Reels

Product Compliance: