



**T&S BRASS AND BRONZE WORKS, INC.**  
 2 Saddleback Cove / P.O. Box 1088  
 Travelers Rest, SC 29690



REG. #A2601  
 ISO #9001

Model No.  
**G016636-45**

Item No.

Travelers Rest, SC: 800-476-4103 Simi Valley, CA: 800-423-0150 Fax: 864-834-3518 www.tsbrass.com

This Space for Architect/Engineer Approval

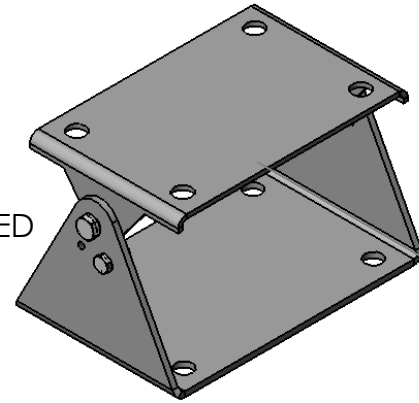
Job Name \_\_\_\_\_ Date \_\_\_\_\_

Model Specified \_\_\_\_\_ Quantity \_\_\_\_\_

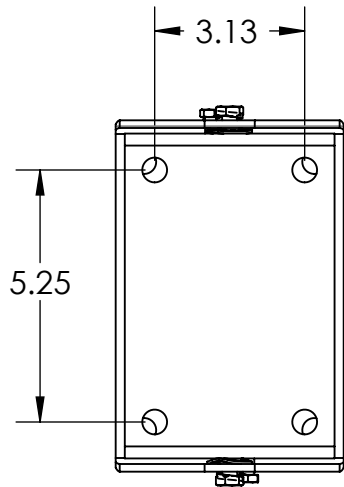
Customer/Wholesaler \_\_\_\_\_

Contractor \_\_\_\_\_

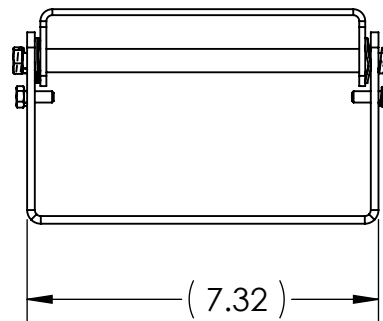
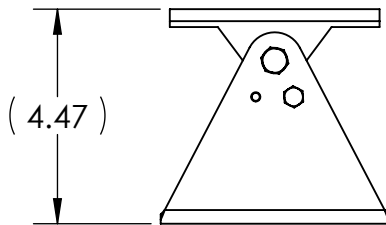
Architect/Engineer \_\_\_\_\_



EPOXY COATED  
 BLACK STEEL



MOUNTING HARDWARE  
 NOT INCLUDED



Product Specifications:  
**SWING BRACKET, EPOXY COATED BLACK  
 FITS 3/8" X 15', 30', & 35' HOSE REELS.**

Drawn  
 JRM

Checked  
 DHL

Approved  
 JHB

Scale:

1:4

Date:

6/14/07