



T&S BRASS AND BRONZE WORKS, INC.
 2 SADDLEBACK COVE / P.O. BOX 1088 / TRAVELERS REST, SC 29690
 PHONE 800-476-4103 - FAX 864- 834-3518



Sales No.

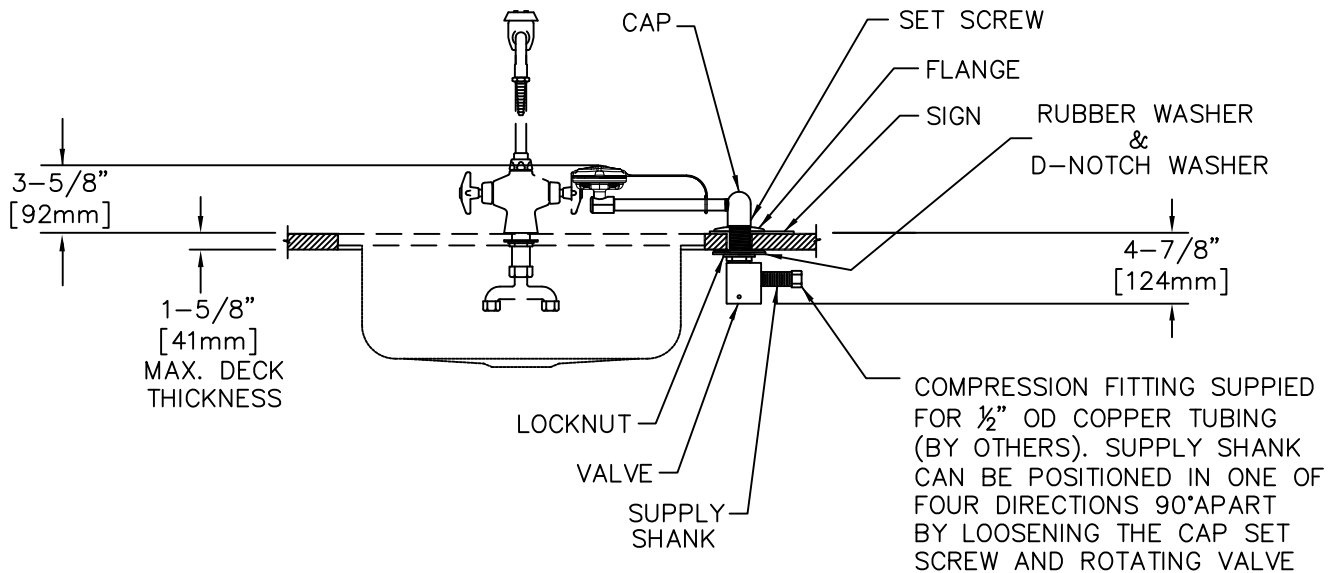
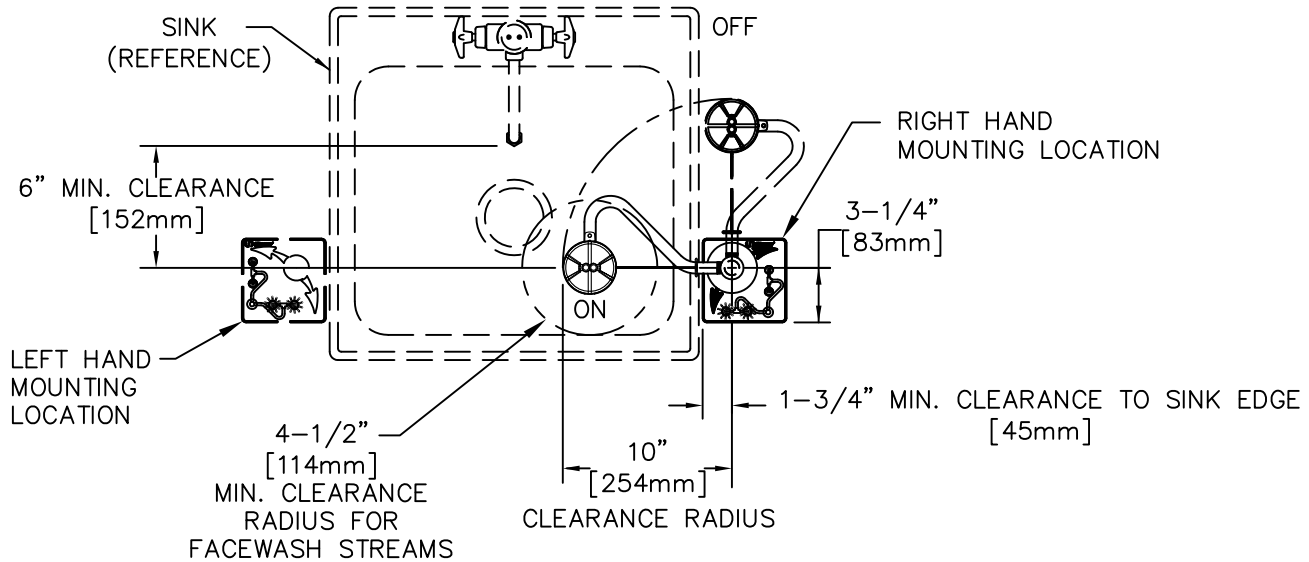
EW-7611

**RELIABILITY
BUILT IN**

Job Name:

Architect/Engineer Approval:

Notes:



NOTES:

1. THE ANSI STANDARD Z358.1 SPECIFIES EYEWASH NOZZLE HEIGHTS TO BE INSTALLED 33" [838mm] TO 45" [1143mm] ABOVE THE FLOOR.
2. INSTALL SO THAT EYEWASH HEADS ARE OVER SINK WHEN ACTIVATED.
3. DRILL ONE $\phi 1-3/8$ " [35mm] HOLE WHERE UNIT IS TO BE INSTALLED.
4. THESE DIMENSIONS MAY VARY $\pm 1/4$ " [6.4mm].
5. SEE INSTALLATION INSTRUCTIONS FOR LEFT HAND MOUNTING.

Product Description:

DECK MOUNTED SWING AWAY EYEWASH

Drawn:

DMH

Checked

GEF

Scale:

1:12

Approved

JHB

Date:

12/20/10