



T&S BRASS AND BRONZE WORKS, INC.
 2 Saddleback Cove / P.O. Box 1088
 Travelers Rest, SC 29690

Model No.
EU-0199-M22-FFL

Item No.

Travelers Rest, SC: 800-476-4103 • Simi Valley, CA: 800-423-0150 • Fax: 864-834-3518 • www.tsbrass.com

This Space for Architect/Engineer Approval

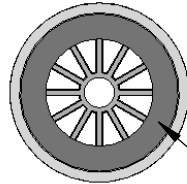
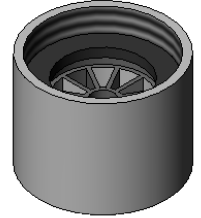
Job Name _____ Date _____

Model Specified _____ Quantity _____

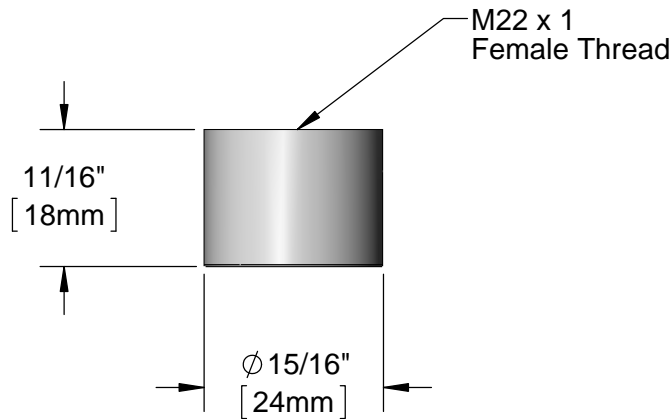
Customer/Wholesaler _____

Contractor _____

Architect/Engineer _____



Rubber Washer



Product Specifications:
 Full Flow Laminar Stream Regulator, M22 x 1 Female

Drawn

DMH

Checked

KJG

Approved

JHB

Scale:

1:1

Date:

05/28/15