

This Space for Architect/Engineer Approval

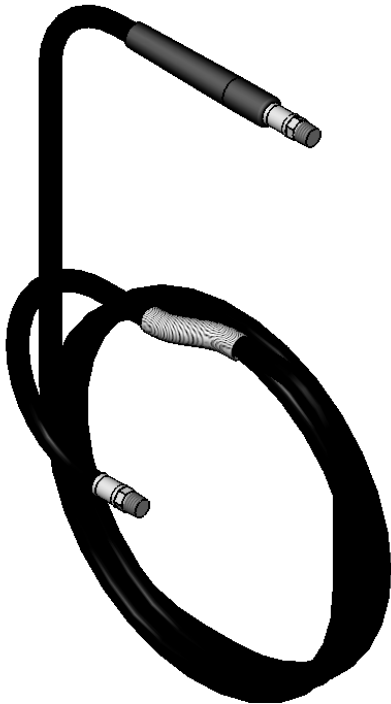
Job Name _____ Date _____

Model Specified _____ Quantity _____

Customer/Wholesaler _____

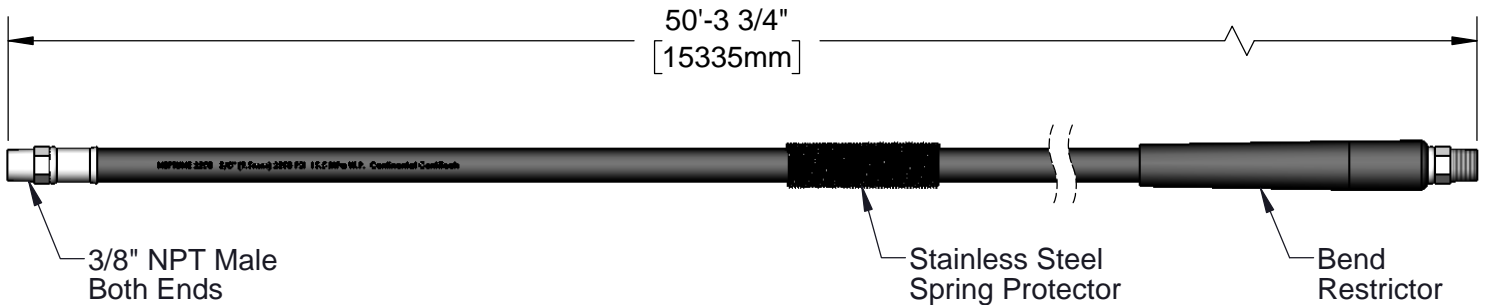
Contractor _____

Architect/Engineer _____



NOTES:

1. HOSE CONSTRUCTION:
 - A. LENGTH = 50 FT.
 - B. MAX PRESSURE = 225 PSI
 - C. MAX TEMP = 140 °F.
 - D. 3/8" I.D. ONE WIRE TUBING.
 - E. SAE 100R1AT RATING.



Model Number

5HR-2HSE-50

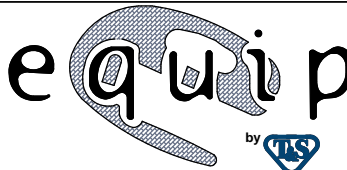
Product Specifications:

50 Ft. Black Hose Assembly, Medium Pressure(225 psi)
3/8" NPT Male Both Ends, Spring Protector and Bend Restrictor

Product Compliance:

NSF 61 Exempt (Non-Potable)

equip
Foodservice
Accessories



2 Saddleback Cove, P.O. Box 1088
Travelers Rest, South Carolina 29690
Phone: 800.891.4808 Fax: 800.868.0084
equip.tsbrass.com

Drawn: JBC

Checked: JRM

Approved: JHB

Date: 04/06/17

Scale: 1:4

Sheet: 1 of 1