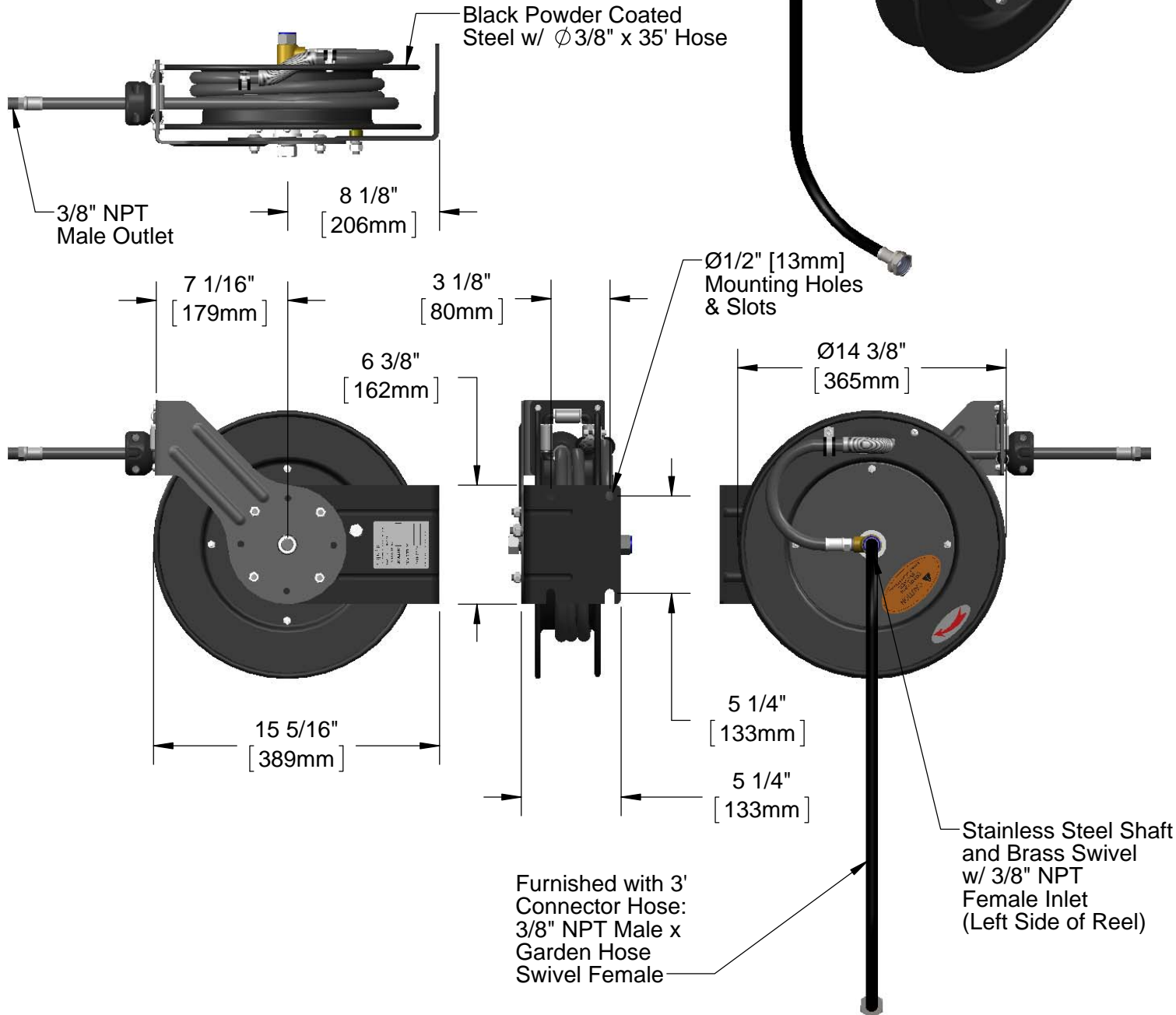


This Space for Architect/Engineer Approval

Job Name \_\_\_\_\_ Date \_\_\_\_\_  
 Model Specified \_\_\_\_\_ Quantity \_\_\_\_\_  
 Customer/Wholesaler \_\_\_\_\_  
 Contractor \_\_\_\_\_  
 Architect/Engineer \_\_\_\_\_



Model Number  
**5HR-232-GH**

Product Compliance:  
 NSF 61 Exempt (Non-Potable)

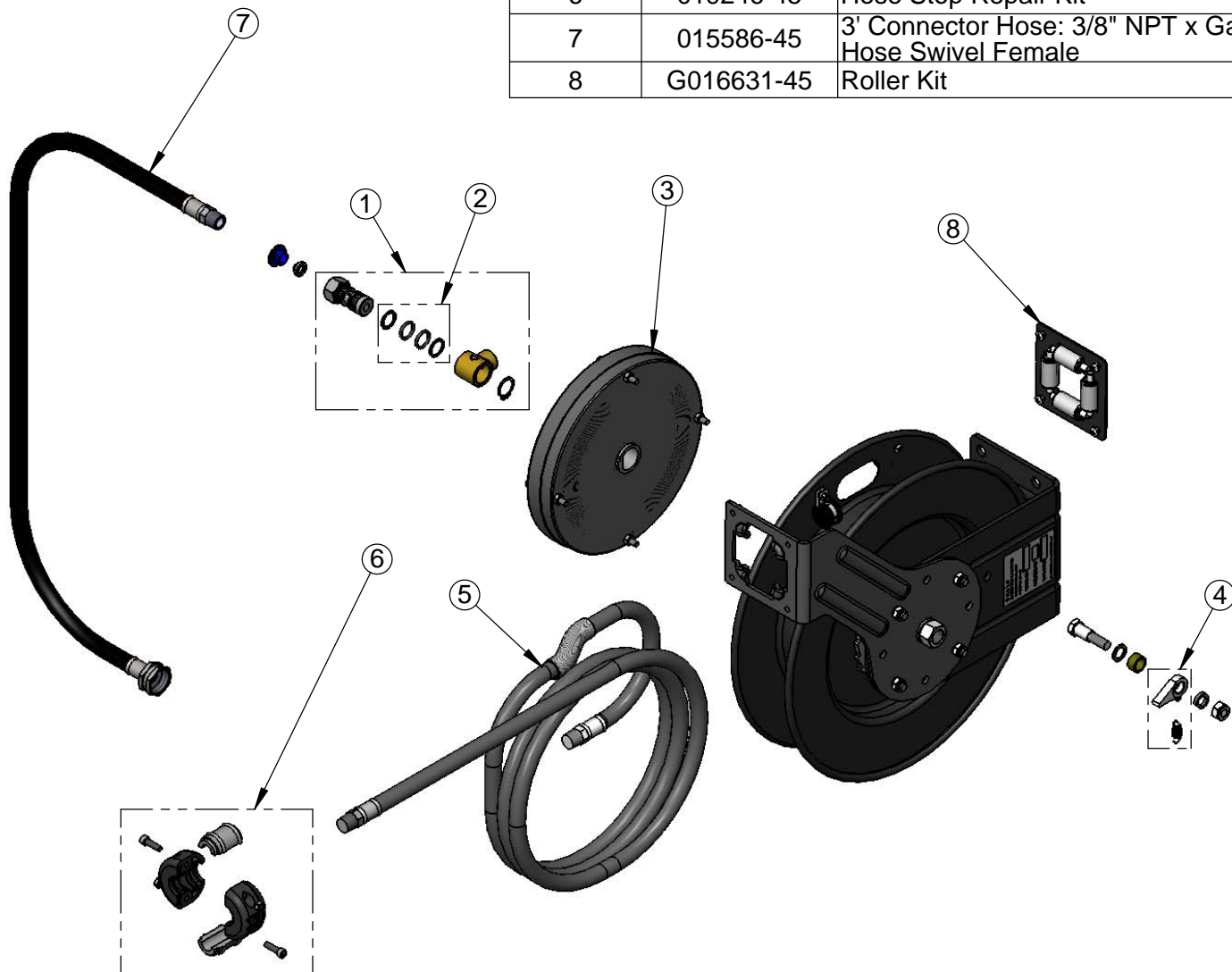
Product Specifications:  
 Black Powder Coated Steel, Open Hose Reel  
 w/ 3/8" x 35' Hose & 3' Connector Hose, Less Spray Valve

equip Foodservice Accessories



2 Saddleback Cove, P.O. Box 1088  
 Travelers Rest, South Carolina 29690  
 Phone: 800.891.4808 Fax: 800.868.0084  
 equip.tsbrass.com

| ITEM NO. | SALES NO.   | DESCRIPTION   |
|----------|-------------|---|
| 1        | 5HR-2SA     | Complete 3/8" Swivel Assembly                           |
| 2        | 014948-45   | Seal Kit  |
| 3        | G016682-45  | Spring Assembly   |
| 4        | 014940-45   | Ratchet Repair Kit                                      |
| 5        | 5HR-2HSE-35 | Ø 3/8" x 35' Hose                                       |
| 6        | 019246-45   | Hose Stop Repair Kit                                    |
| 7        | 015586-45   | 3' Connector Hose: 3/8" NPT x Garden Hose Swivel Female |
| 8        | G016631-45  | Roller Kit  |



Model Number

**5HR-232-GH**

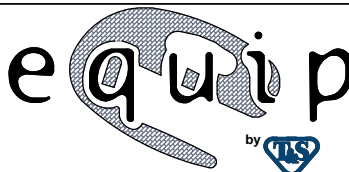
Product Specifications:

**Black Powder Coated Steel, Open Hose Reel  
w/ 3/8" x 35' Hose & 3' Connector Hose, Less Spray Valve**

Product Compliance:

NSF 61 Exempt (Non-Potable)

equip  
Foodservice  
Accessories



2 Saddleback Cove, P.O. Box 1088  
Travelers Rest, South Carolina 29690  
Phone: 800.891.4808 Fax: 800.868.0084  
equip.tsbrass.com

Drawn: JBC

Checked: JRM

Approved: JHB

Date: 02/23/16

Scale: NTS

Sheet: 2 of 2