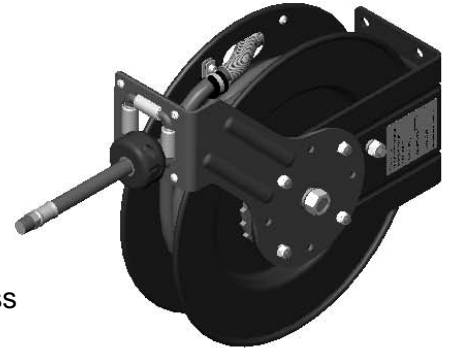


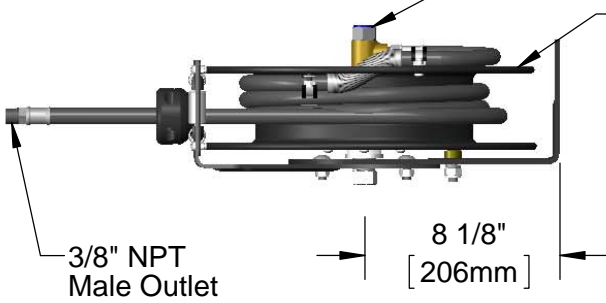
This Space for Architect/Engineer Approval

Job Name \_\_\_\_\_ Date \_\_\_\_\_  
 Model Specified \_\_\_\_\_ Quantity \_\_\_\_\_  
 Customer/Wholesaler \_\_\_\_\_  
 Contractor \_\_\_\_\_  
 Architect/Engineer \_\_\_\_\_



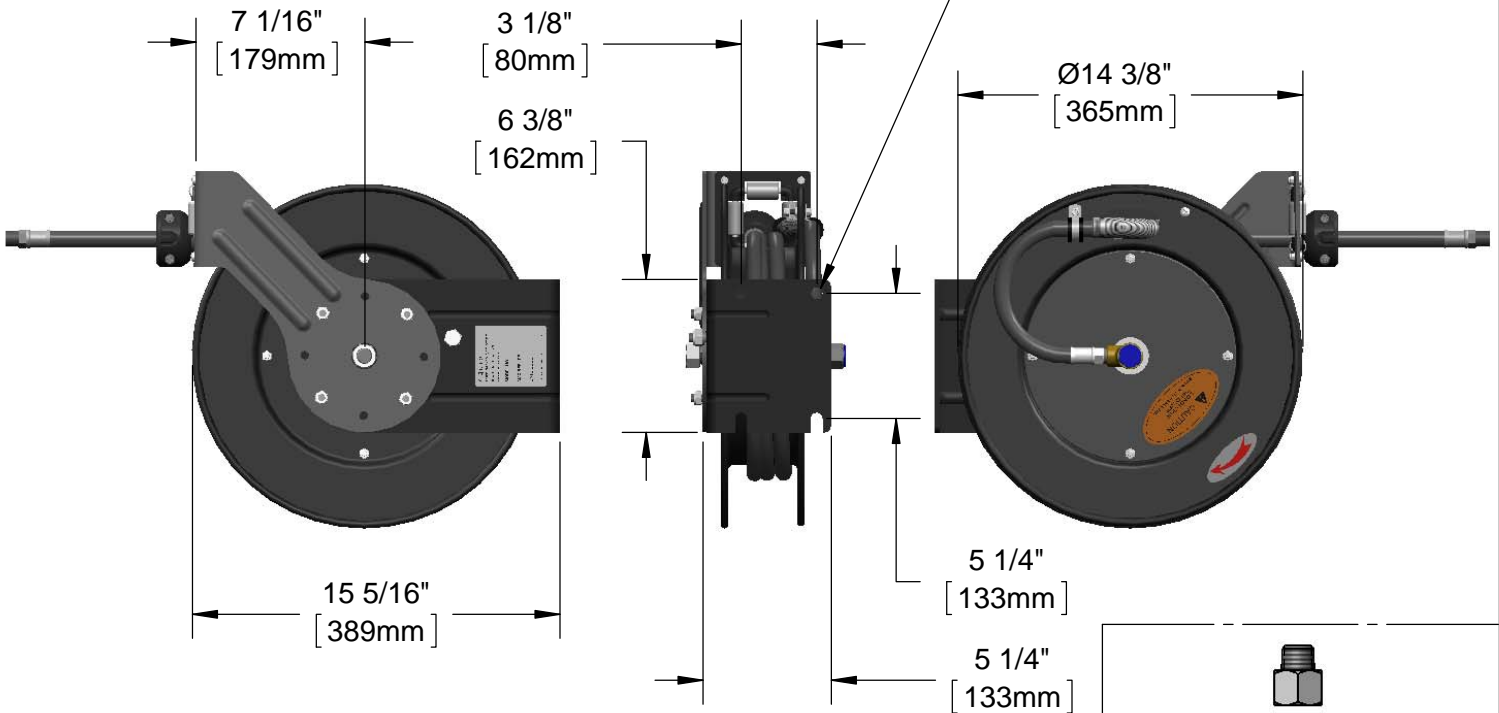
Stainless Steel Shaft & Brass Swivel w/ 3/8" NPT Female Inlet (Left Side of Reel)

Black Powder Coated Steel w/ Ø 3/8" x 35' Hose



3/8" NPT Male Outlet

8 1/8" [206mm]



Ø1/2" [13mm] Mounting Holes & Slots

Ø14 3/8" [365mm]

7 1/16" [179mm]

3 1/8" [80mm]

6 3/8" [162mm]

15 5/16" [389mm]

5 1/4" [133mm]

5 1/4" [133mm]



019129-25 Reducing Adapter 3/8" NPT Male x 1/2" NPT Female (Included)

Model Number  
**5HR-232-A**

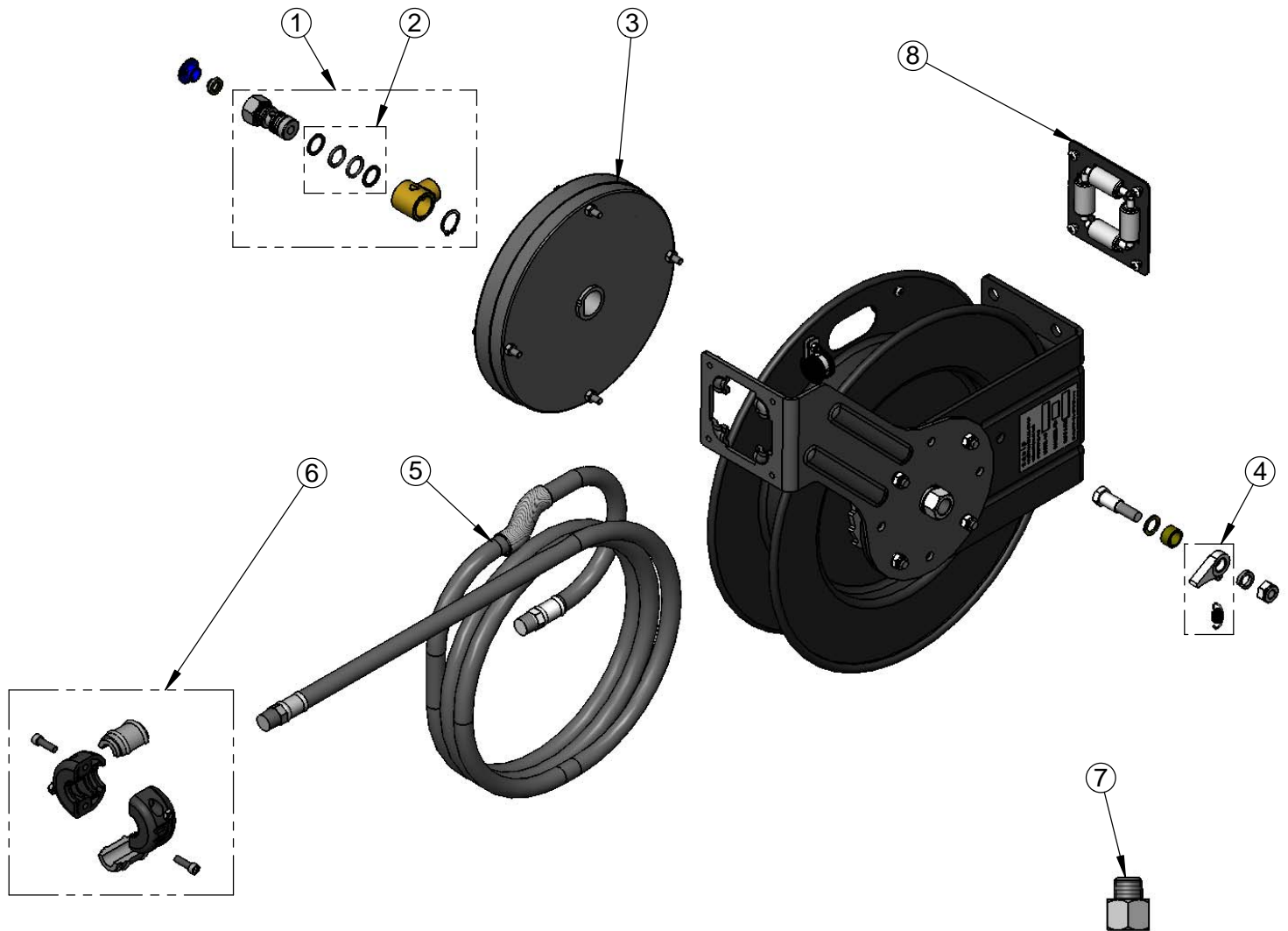
Product Specifications:  
**Black Powder Coated Steel, Open Hose Reel w/ Ø3/8" x 35' Hose, Reducing Adapter & Less Spray Valve**

Product Compliance:  
NSF 61 Exempt (Non-Potable)

equip Foodservice Accessories  by 

2 Saddleback Cove, P.O. Box 1088  
 Travelers Rest, South Carolina 29690  
 Phone: 800.891.4808 Fax: 800.868.0084  
 equip.tsbrass.com

ITEM NO.	SALES NO.	DESCRIPTION
1	5HR-2SA	Complete 3/8" Swivel Assembly
2	014948-45	Seal Kit
3	G016682-45	Spring Assembly
4	014940-45	Ratchet Repair Kit
5	5HR-2HSE-35	Ø 3/8" x 35' Hose
6	019246-45	Hose Stop Repair Kit
7	019129-25	Reducing Adapter, 3/8" NPT Male x 1/2" NPT Female
8	G016631-45	Roller Kit



Model Number

**5HR-232-A**

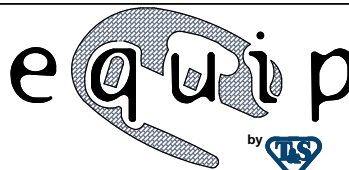
Product Specifications:

**Black Powder Coated Steel, Open Hose Reel w/  
Ø3/8" x 35' Hose, Reducing Adapter & Less Spray Valve**

Product Compliance:

NSF 61 Exempt (Non-Potable)

equip  
Foodservice  
Accessories



2 Saddleback Cove, P.O. Box 1088  
Travelers Rest, South Carolina 29690  
Phone: 800.891.4808 Fax: 800.868.0084  
equip.tsbrass.com