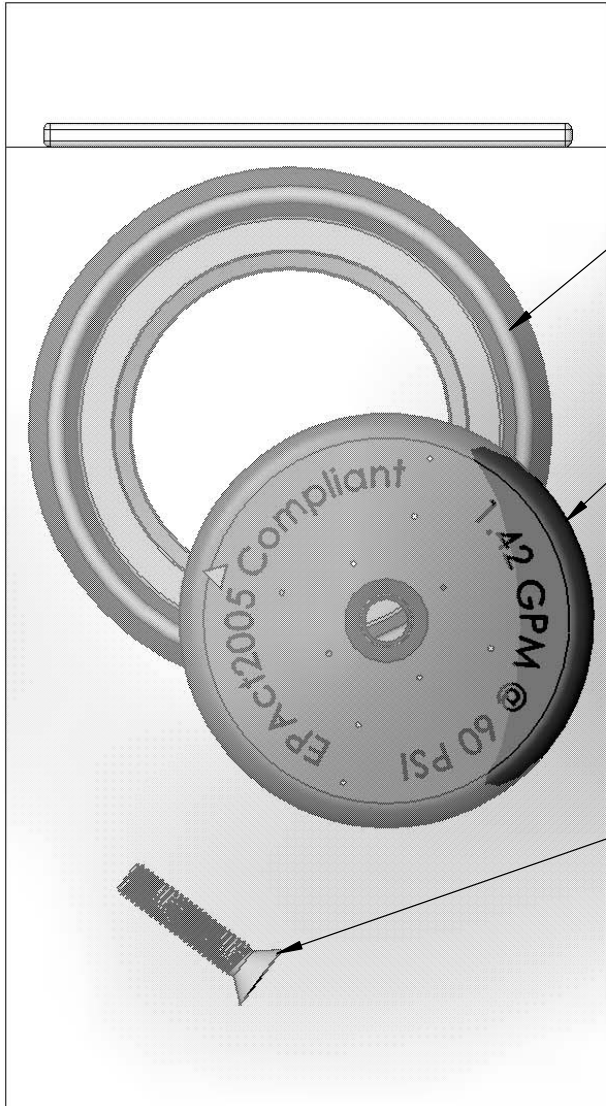


*This Space for Architect/Engineer Approval*

Job Name \_\_\_\_\_ Date \_\_\_\_\_  
 Model Specified \_\_\_\_\_ Quantity \_\_\_\_\_  
 Customer/Wholesaler \_\_\_\_\_  
 Contractor \_\_\_\_\_  
 Architect/Engineer \_\_\_\_\_



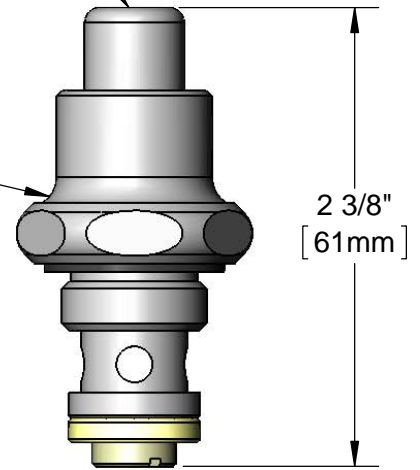
Black Rubber Bumper

Self-Closing Push Button Cartridge

Black Spray Face

Bonnet

Screw



2 3/8"  
[61mm]

Model Number 5SV-KIT	Date 05/18/12	Scale 1:4	Drawn KJG	Checked DHL	Approved JHB
-------------------------	------------------	--------------	--------------	----------------	-----------------



Product Specifications:  
 equip Spray Valve Repair Kit (Includes Bumper Ring, Spray Face, Screw & Bonnet)

equip Foodservice Accessories  
 2 Saddleback Cove, P.O. Box 1088  
 Travelers Rest, South Carolina 29690  
 Phone: 800.891.4808 Fax: 800.868.0084