

This Space for Architect/Engineer Approval

Job Name _____ Date _____

Model Specified _____ Quantity _____

Customer/Wholesaler _____

Contractor _____

Architect/Engineer _____

44" Flex Hose w/
Spring & Spray Valve

Items Not Shown
for Clarity

013716-40
6" Wall Bracket

Finger Hook

3/8" NPT x 18" Riser

Quarter-Turn
Ceramic Cartridges &
equip 4" Wrist Action Handles
w/ Color Coded Screws

8"
[203mm]

Adjustable From
7 3/4" to 8 1/4"
[197mm to 210mm]

Ø 2" [51mm]
Flanges w/ Inline
Check Valves &
B-0230-K Supply Kit
w/ 1/2" NPT Male
Inlets

16 1/2"
[419mm]

31 7/16"
[798mm]

5SV
Spray Valve

5/8"
[16mm]

Mounting
Surface

Rough-In Requirement:
(2) Ø 1" [25mm] Mounting Holes

Model Number

5PR-8WWS00

Product Specifications:

Pre-Rinse Unit: 8" Wall Mount Mixing Faucet w/ 6" Wall Bracket, Spray Valve, In-Line Check Valves, 44" Flexible Stainless Steel Hose & Supply Kit w/ 1/2" NPT Male Inlets

Product Compliance:

ASME A112.18.1 / CSA B125.1
NSF 61 - Section 9
NSF 372 (Low Lead Content)
EPA Act 2005 (PRSV)

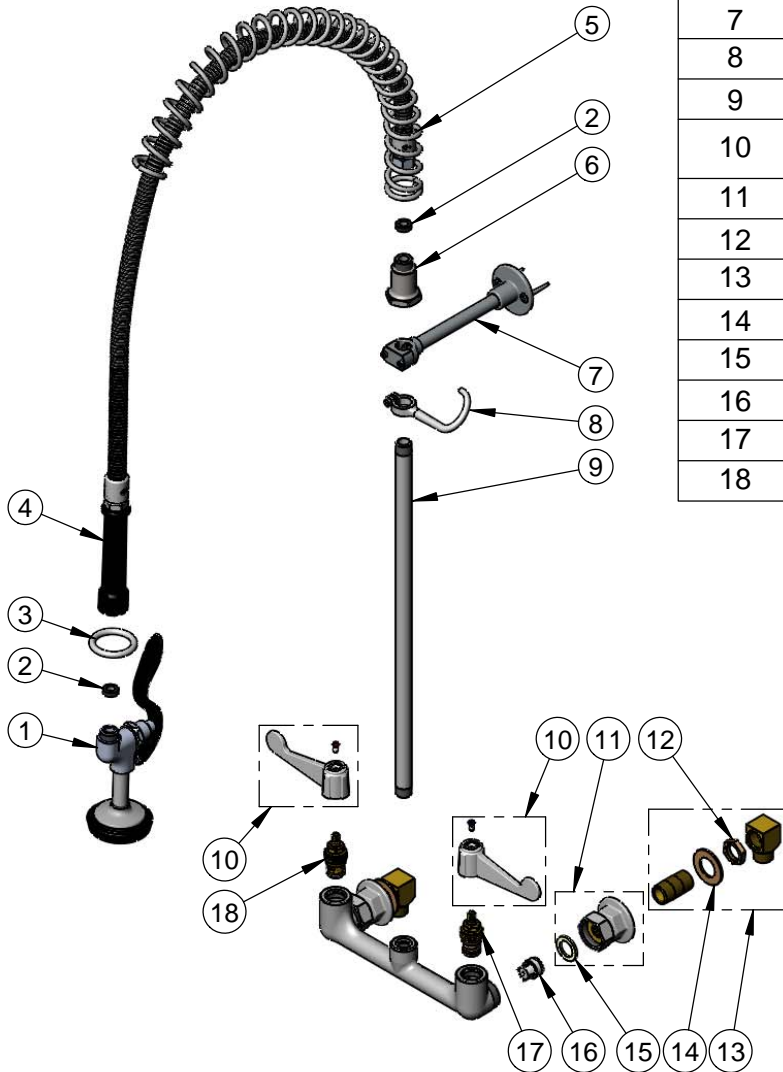
equip
Foodservice
Accessories



by 

2 Saddleback Cove, P.O. Box 1088
Travelers Rest, South Carolina 29690
Phone: 800.891.4808 Fax: 800.868.0084
equip.tsbrass.com

| ITEM NO. | SALES NO. | DESCRIPTION |
|----------|-----------|---|
| 1 | 5SV | 1.42 GPM Spray Valve |
| 2 | 010476-45 | #27 Washer |
| 3 | 000907-45 | Spray Valve Hold Down Ring |
| 4 | 5HSE44 | 44" Flexible Stainless Steel Hose w/ Handle (Includes Washer) |
| 5 | 014068-45 | Overhead Spring |
| 6 | 000821-40 | Spring Body |
| 7 | 013716-40 | 6" Wall Bracket |
| 8 | 004R | Finger Hook |
| 9 | 000369-40 | 3/8" NPT x 18" Riser |
| 10 | 5-HDL-W | equip 4" Wrist Action Handle w/ Color Coded Screws |
| 11 | 00AA | 1/2" NPT Female Eccentric Flange |
| 12 | 002954-45 | Shank Lock Nut |
| 13 | B-0230-K | Supply Kit w/ 1/2" NPT Male Inlet |
| 14 | 000999-45 | Brass Lock Washer |
| 15 | 001019-45 | Coupling Nut Washer |
| 16 | 013840-45 | 20mm Check Valve (2) |
| 17 | 013788-45 | equip Ceramic Cartridge, LTC |
| 18 | 013787-45 | equip Ceramic Cartridge, RTC |



Model Number

5PR-8WWS00

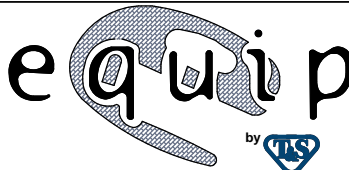
Product Specifications:

Pre-Rinse Unit: 8" Wall Mount Mixing Faucet w/ 6" Wall Bracket, Spray Valve, In-Line Check Valves, 44" Flexible Stainless Steel Hose & Supply Kit w/1/2" NPT Male Inlets

Product Compliance:

ASME A112.18.1 / CSA B125.1
NSF 61 - Section 9
NSF 372 (Low Lead Content)
EPA Act 2005 (PRSV)

equip
Foodservice
Accessories



2 Saddleback Cove, P.O. Box 1088
Travelers Rest, South Carolina 29690
Phone: 800.891.4808 Fax: 800.868.0084
equip.tsbrass.com