

*This Space for Architect/Engineer Approval*

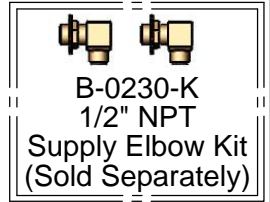
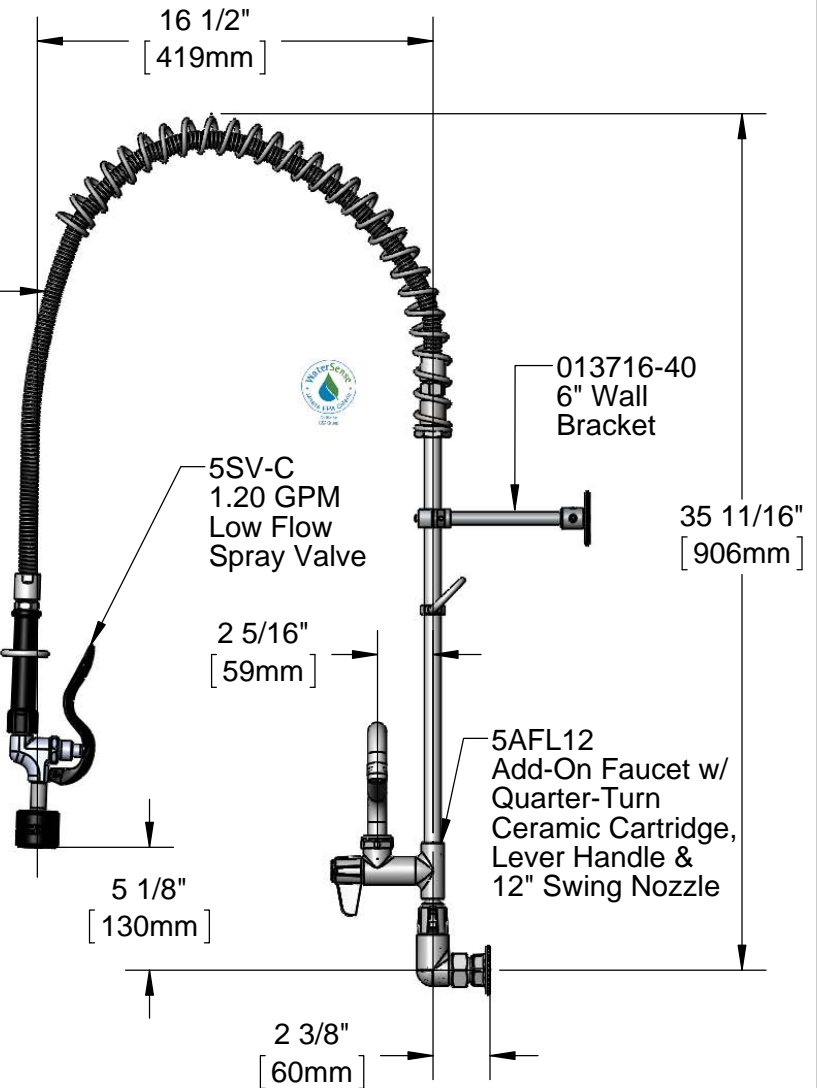
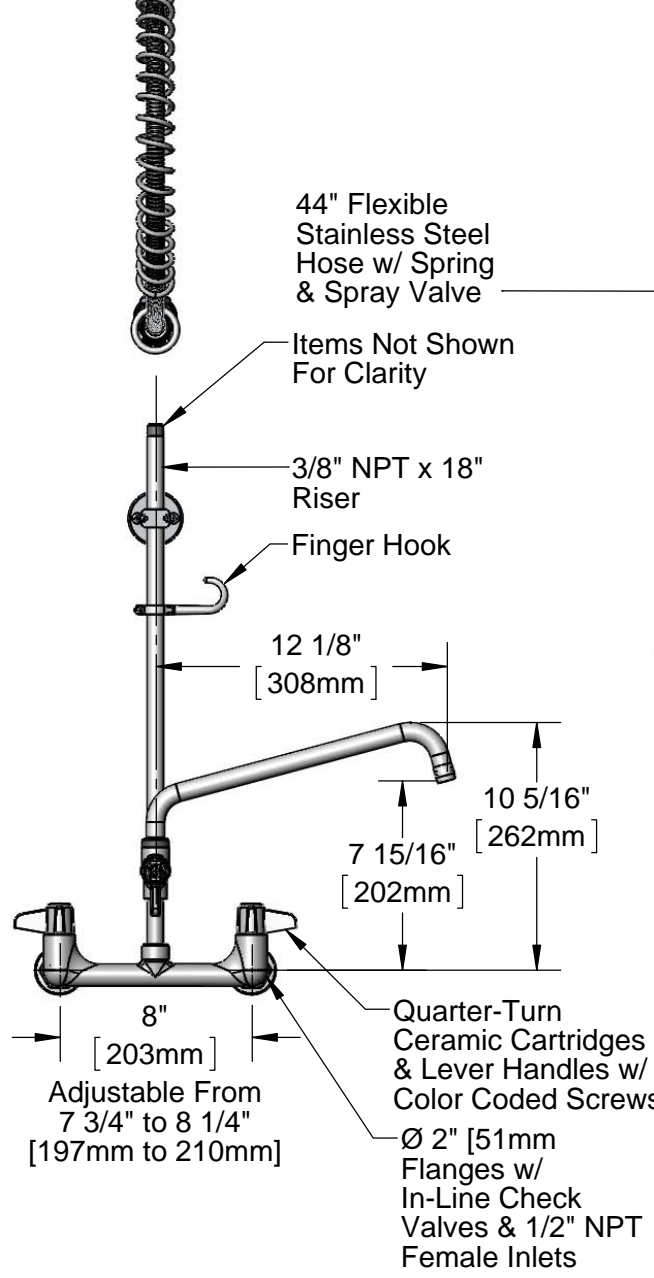
Job Name \_\_\_\_\_ Date \_\_\_\_\_

Model Specified \_\_\_\_\_ Quantity \_\_\_\_\_

Customer/Wholesaler \_\_\_\_\_

Contractor \_\_\_\_\_

Architect/Engineer \_\_\_\_\_



Model Number  
**5PR-8W12-C**

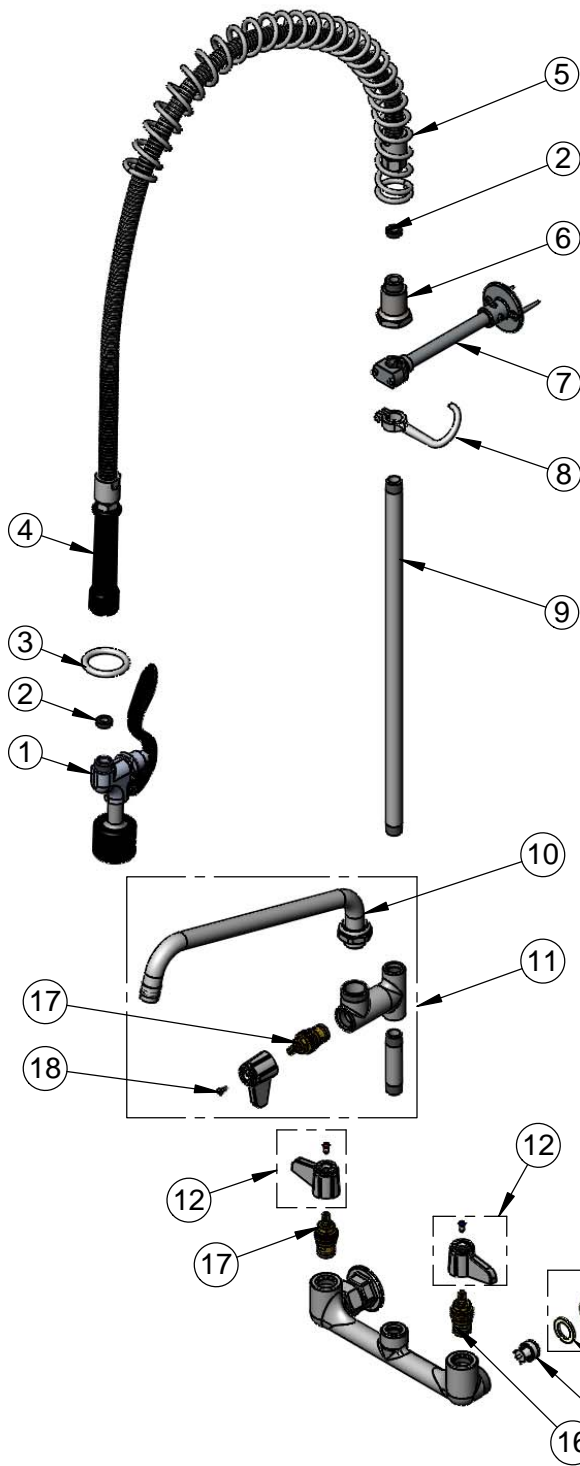
Product Compliance:  
ASME A112.18.1 / CSA B125.1  
NSF 61 - Section 9  
NSF 372 (Low Lead Content)  
EPA Act 2005 (PRSV)  
EPA WaterSense (PRSV)

Product Specifications:  
Pre-Rinse Unit: 8" Wall Mount Mixing Faucet, Quarter-Turn Ceramic Cartridges, Lever Handles, Add-On Faucet w/ 12" Swing Nozzle, 44" Flexible Stainless Steel Hose, 1.20 GPM Low Flow Spray Valve, 6" Wall Bracket, In-Line Check Valves & 1/2" NPT Female Inlets

equip  
Foodservice  
Accessories



2 Saddleback Cove, P.O. Box 1088  
Travelers Rest, South Carolina 29690  
Phone: 800.891.4808 Fax: 800.868.0084  
equip.tsbrass.com



ITEM NO.	SALES NO.	DESCRIPTION
1	5SV-C	equip 1.20 GPM Low Flow Spray Valve
2	010476-45	#27 Washer
3	000907-45	Spray Valve Hold Down Ring
4	5HSE44	equip 44" Flexible Stainless Steel Hose
5	014068-45	Overhead Spring
6	000821-40	Spring Body
7	013716-40	equip 6" Wall Bracket
8	004R	Finger Hook
9	000369-40	3/8" NPT x 18" Riser
10	5SP-12	equip 12" Swing Nozzle
11	5AFL12	Add-On Faucet w/ 12" Swing Nozzle
12	5-HDL-L	equip Lever Handle w/ Color Coded Screws
13	00AA	1/2" NPT Female Eccentric Flange
14	001019-45	Coupling Nut Washer
15	013840-45	Check Valve (2)
16	013788-45	equip Quarter-Turn Ceramic Cartridge, LTC
17	013787-45	equip Quarter-Turn Ceramic Cartridge, RTC
18	013849-45	Handle Screw (10)

Model Number

**5PR-8W12-C**

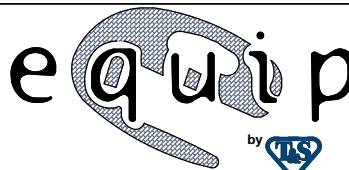
Product Specifications:

Pre-Rinse Unit: 8" Wall Mount Mixing Faucet, Quarter-Turn Ceramic Cartridges, Lever Handles, Add-On Faucet w/ 12" Swing Nozzle, 44" Flexible Stainless Steel Hose, 1.20 GPM Low Flow Spray Valve, 6" Wall Bracket, In-Line Check Valves & 1/2" NPT Female Inlets

Product Compliance:

ASME A112.18.1 / CSA B125.1  
 NSF 61 - Section 9  
 NSF 372 (Low Lead Content)  
 EPA Act 2005 (PRSV)  
 EPA WaterSense (PRSV)

equip  
 Foodservice  
 Accessories



2 Saddleback Cove, P.O. Box 1088  
 Travelers Rest, South Carolina 29690  
 Phone: 800.891.4808 Fax: 800.868.0084  
 equip.tsbrass.com