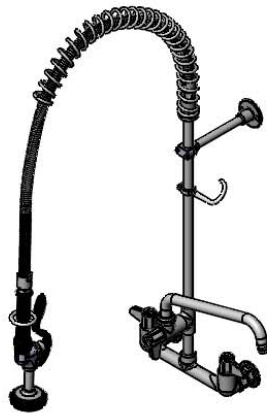
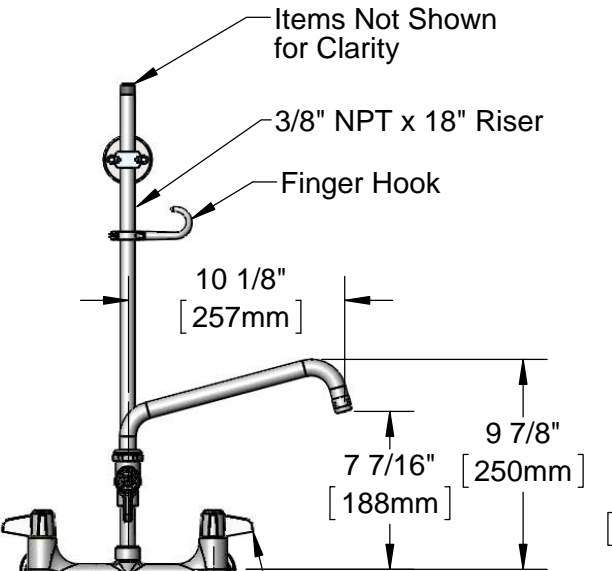


5SP-10
10" Swing Nozzle
w/ Laminar Flow
Device



44" Flexible Stainless
Steel Hose w/ Spring
& Spray Valve



Items Not Shown
for Clarity

3/8" NPT x 18" Riser

Finger Hook

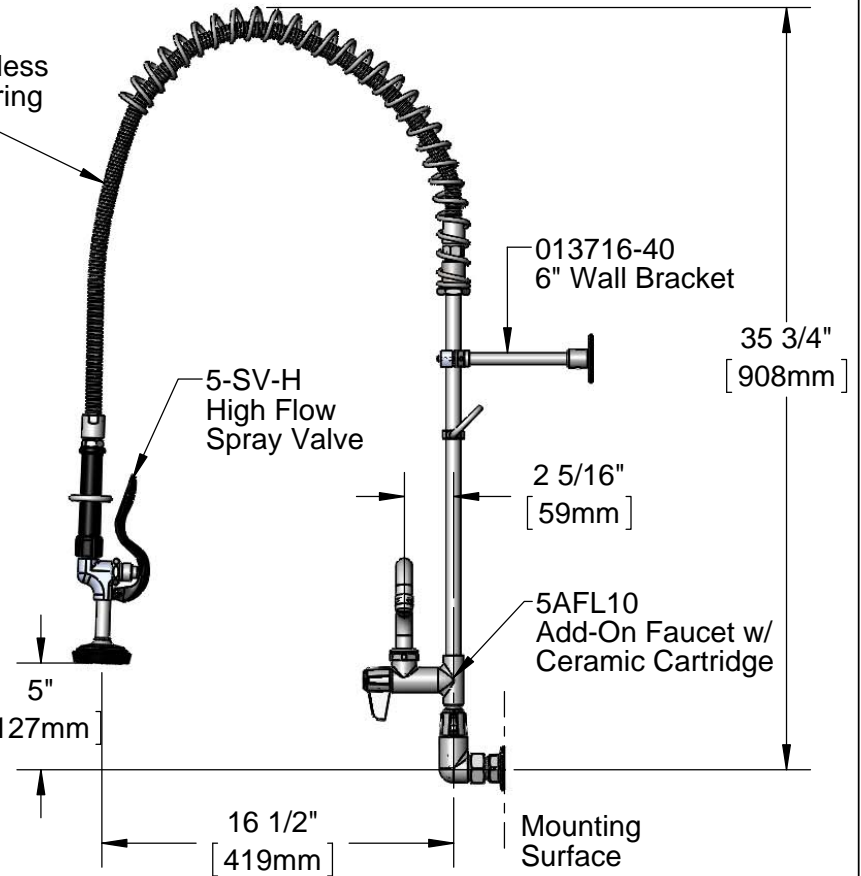
10 1/8"
[257mm]

9 7/8"
[250mm]

7 7/16"
[188mm]

Quarter-Turn
Ceramic Cartridges
& equip Lever Handles
w/ Color Coded Screws

Ø2" [51mm]
Flanges w/ In-Line
Check Valves &
1/2" NPT Female Inlets



013716-40
6" Wall Bracket

35 3/4"
[908mm]

5-SV-H
High Flow
Spray Valve

2 5/16"
[59mm]

5AFL10
Add-On Faucet w/
Ceramic Cartridge

Mounting
Surface



B-0230-K
Inlet Kit
(Sold Separately)

This Space for Architect/Engineer Approval

Job Name _____ Date _____

Model Specified _____ Quantity _____

Customer/Wholesaler _____

Contractor _____

Architect/Engineer _____

Model Number

5PR-8W10-H

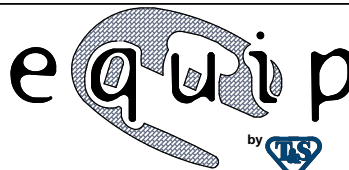
Product Specifications:

International Pre-Rinse Unit: 8" Wall Mount w/ Quarter-Turn Ceramic Cartridges, Add-On Faucet w/ 10" Swing Nozzle, High Flow Spray Valve, In-Line Check Valves, 6" Wall Bracket & 1/2" NPT Female Inlets

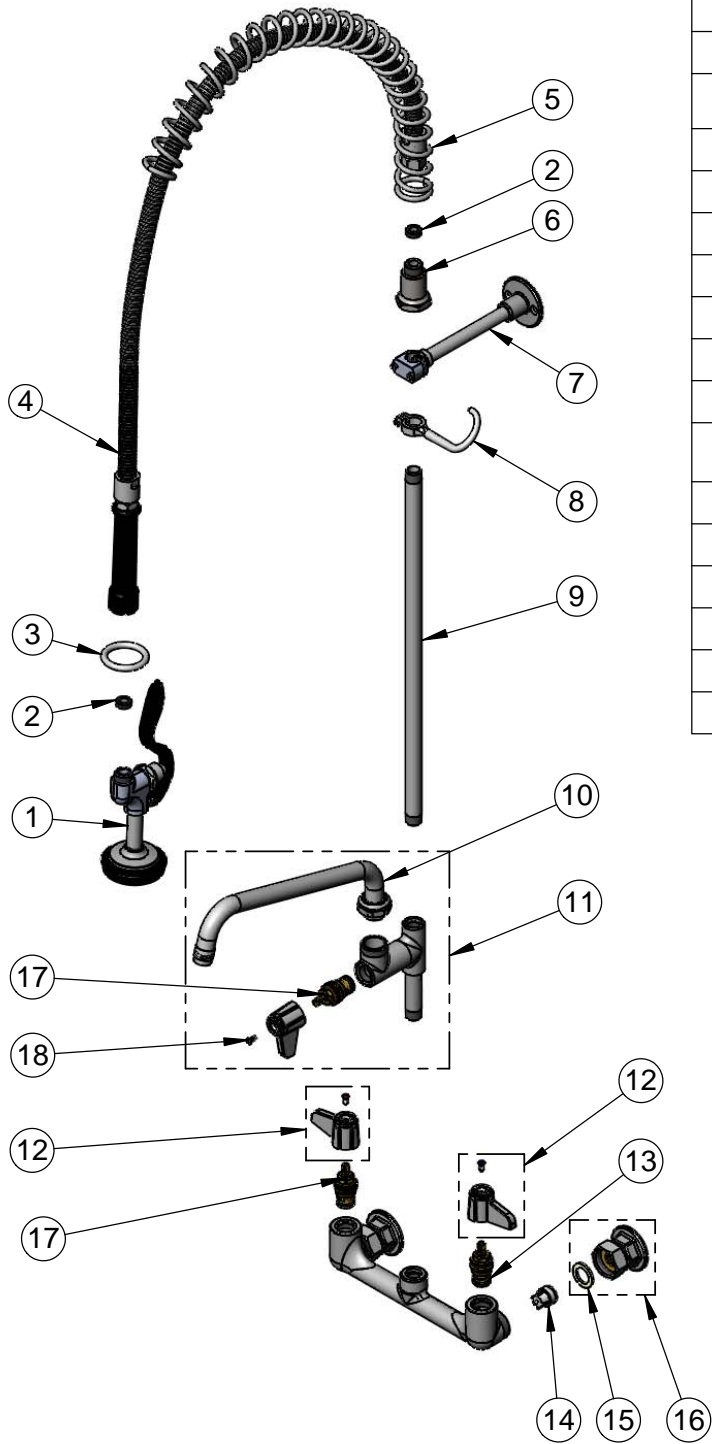
Product Compliance:

ASME A112.18.1 / CSA B125.1
NSF 61 - Section 9
NSF 372 (Low Lead Content)
EPA Act 2005 Non-Compliant (PRSV)
Product Not Designed/Intended for
Commercial Warewashing in North America

equip
Foodservice
Accessories



2 Saddleback Cove, P.O. Box 1088
Travelers Rest, South Carolina 29690
Phone: 800.891.4808 Fax: 800.868.0084
equip.tsbrass.com



ITEM NO.	SALES NO.	DESCRIPTION
1	5SV-H	High Flow Spray Valve
2	010476-45	#27 Washer
3	000907-45	Spray Valve Hold Down Ring
4	5HSE44	44" Flexible Stainless Steel Hose w/ Washer
5	014068-45	Overhead Spring
6	000821-40	Spring Body
7	013716-40	6" Wall Bracket
8	004R	Finger Hook
9	000369-40	3/8" NPT x 18" Riser
10	5SP-10	10" Swing Nozzle
11	5AFL10	Add-On Faucet w/ 10" Swing Nozzle
12	5-HDL-L	equip Lever Handle w/ Color Coded Screws
13	013788-45	equip Ceramic Cartridge, LTC
14	013840-45	20mm Check Valve
15	001019-45	Coupling Nut Washer
16	00AA	1/2" NPT Female Eccentric Flange
17	013787-45	equip Ceramic Cartridge, RTC
18	013849-45	Screw, 4mm Metric (10)

Model Number

5PR-8W10-H

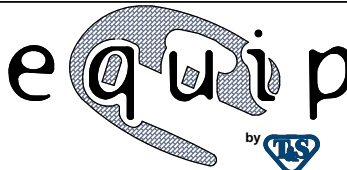
Product Specifications:

International Pre-Rinse Unit: 8" Wall Mount w/ Quarter-Turn Ceramic Cartridges, Add-On Faucet w/ 10" Swing Nozzle, High Flow Spray Valve, In-Line Check Valves, 6" Wall Bracket & 1/2" NPT Female Inlets

Product Compliance:

ASME A112.18.1 / CSA B125.1
 NSF 61 - Section 9
 NSF 372 (Low Lead Content)
 EPA Act 2005 Non-Compliant (PRSV)
 Product Not Designed/Intended for
 Commercial Warewashing in North America

equip
 Foodservice
 Accessories



2 Saddleback Cove, P.O. Box 1088
 Travelers Rest, South Carolina 29690
 Phone: 800.891.4808 Fax: 800.868.0084
 equip.tsbrass.com