

Model Number
5PR-8W00-C

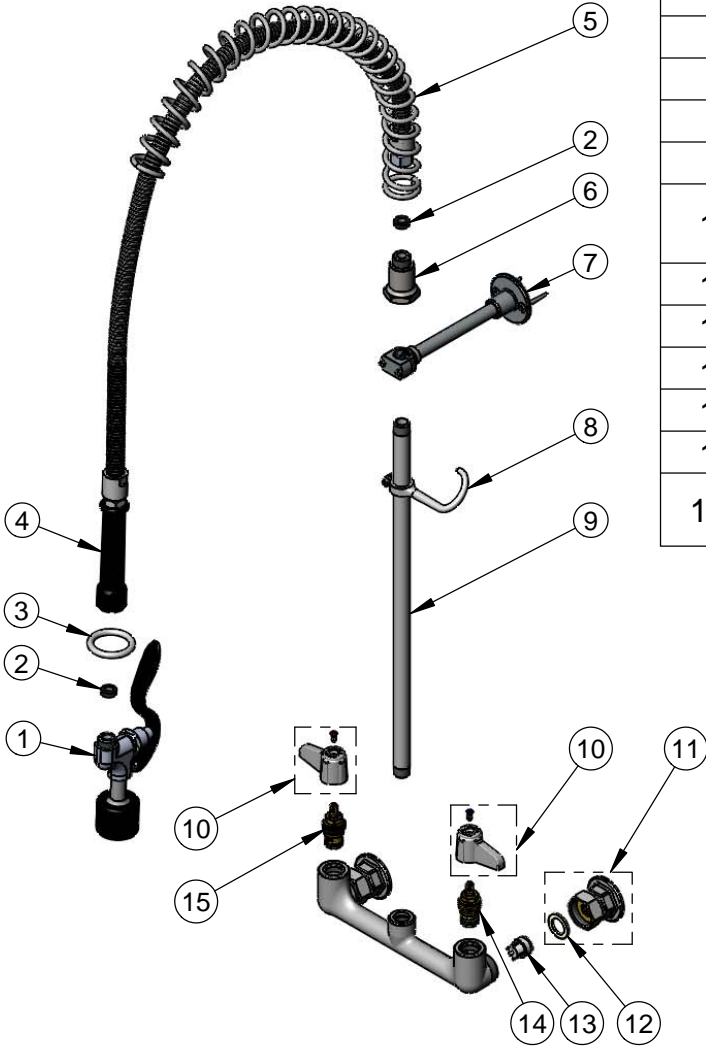
Product Specifications:
Pre-Rinse Unit: 8" Wall Mount Mixing Faucet w/ 6" Wall Bracket, 1.20 GPM Low Flow Spray Valve, In-Line Check Valves, 44" Flex Hose & 1/2" NPT Female Inlets

Product Compliance:
ASME A112.18.1 / CSA B125.1
NSF 61 - Section 9
NSF 372 (Low Lead Content)
EPA Act 2005 (PRSV)

equip
Foodservice
Accessories

2 Saddleback Cove, P.O. Box 1088
Travelers Rest, South Carolina 29690
Phone: 800.891.4808 Fax: 800.868.0084
equip.tsbrass.com

ITEM NO.	SALES NO.	DESCRIPTION
1	5SV-C	equip 1.20 GPM Low Flow Spray Valve
2	010476-45	#27 Washer
3	000907-45	Spray Valve Hold Down Ring
4	5HSE44	44" Flexible Stainless Steel Hose
5	014068-45	Overhead Spring
6	000821-40	Spring Body
7	013716-40	6" Wall Bracket
8	004R	Finger Hook
9	000369-40	3/8" NPT x 18" Riser
10	5-HDL-L	equip Lever Handle w/ Color Coded Screws
11	00AA	1/2" NPT Female Inlet Flange
12	001019-45	Coupling Nut Washer
13	013840-45	20mm Check Valve (2)
14	013788-45	equip Ceramic Cartridge, LTC
15	013787-45	equip Ceramic Cartridge, RTC
101		Equip Swivel Piece



Model Number

5PR-8W00-C

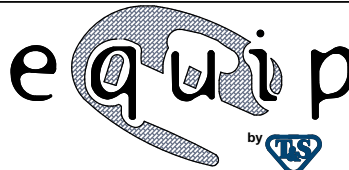
Product Specifications:

Pre-Rinse Unit: 8" Wall Mount Mixing Faucet w/
6" Wall Bracket, 1.20 GPM Low Flow Spray Valve, In-Line Check
Valves, 44" Flex Hose & 1/2" NPT Female Inlets

Product Compliance:

ASME A112.18.1 / CSA B125.1
NSF 61 - Section 9
NSF 372 (Low Lead Content)
EPA Act 2005 (PRSV)

equip
Foodservice
Accessories



2 Saddleback Cove, P.O. Box 1088
Travelers Rest, South Carolina 29690
Phone: 800.891.4808 Fax: 800.868.0084
equip.tsbrass.com