

5SP-12
12" Swing Nozzle
w/ Laminar
Flow Device



equip 44"
Flexible
Stainless Steel
Hose w/ Spring
& Spray Valve

This Space for Architect/Engineer Approval

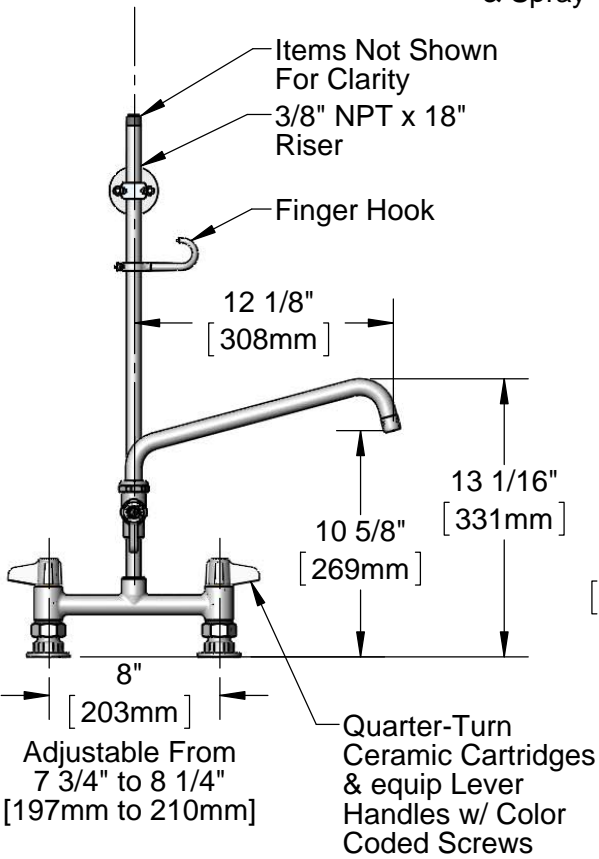
Job Name _____ Date _____

Model Specified _____ Quantity _____

Customer/Wholesaler _____

Contractor _____

Architect/Engineer _____



Items Not Shown
For Clarity

3/8" NPT x 18"
Riser

Finger Hook

12 1/8"
[308mm]

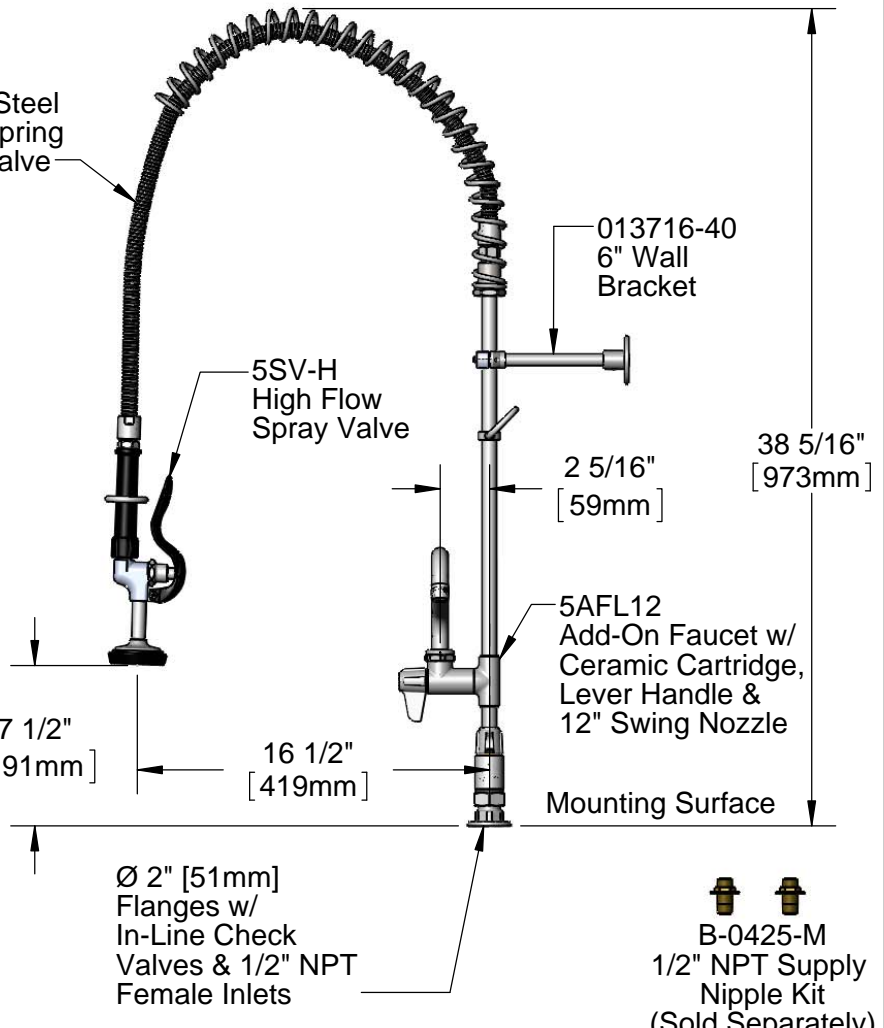
13 1/16"
[331mm]

10 5/8"
[269mm]

8"
[203mm]

Adjustable From
7 3/4" to 8 1/4"
[197mm to 210mm]

Quarter-Turn
Ceramic Cartridges
& equip Lever
Handles w/ Color
Coded Screws



013716-40
6" Wall
Bracket

5SV-H
High Flow
Spray Valve

2 5/16"
[59mm]

38 5/16"
[973mm]

5AFL12
Add-On Faucet w/
Ceramic Cartridge,
Lever Handle &
12" Swing Nozzle

Mounting Surface

Ø 2" [51mm]
Flanges w/
In-Line Check
Valves & 1/2" NPT
Female Inlets


B-0425-M
1/2" NPT Supply
Nipple Kit
(Sold Separately)

Model Number
5PR-8D12-H

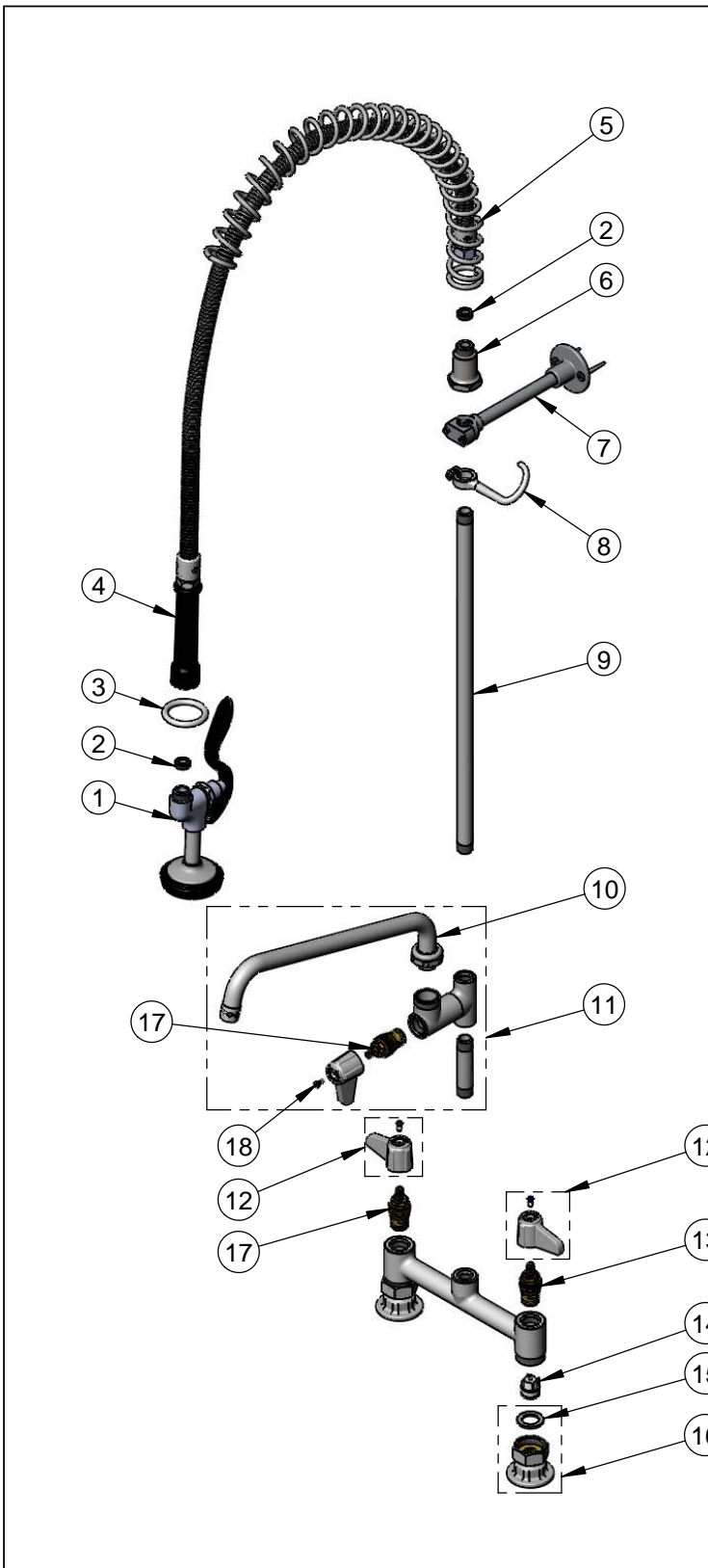
Product Compliance:
ASME A112.18.1 / CSA B125.1
NSF 61 - Section 9
NSF 372 (Low Lead Content)
EPA Act 2005 Non-Compliant (PRSV)
Product Not Designed/Intended for
Commercial Warewashing in North America

Product Specifications:
International Pre-Rinse Unit: 8" Deck Mount Mixing Faucet w/
Quarter-Turn Ceramic Cartridges, Add-On Faucet w/ 12" Swing
Nozzle, High Flow Spray Valve, 6" Wall Bracket, In-Line Check
Valves & 1/2" NPT Female Inlets

equip
Foodservice
Accessories



2 Saddleback Cove, P.O. Box 1088
Travelers Rest, South Carolina 29690
Phone: 800.891.4808 Fax: 800.868.0084
equip.tsbrass.com



ITEM NO.	SALES NO.	DESCRIPTION
1	5SV-H	equip High Flow Spray Valve
2	010476-45	#27 Washer
3	000907-45	Spray Valve Hold Down Ring
4	5HSE44	44" Flexible Stainless Steel Hose (Includes Washer)
5	014068-45	Overhead Spring
6	000821-40	Spring Body
7	013716-40	6" Wall Bracket
8	004R	Finger Hook
9	000369-40	3/8" NPT x 18" Riser
10	5SP-12	equip 12" Swing Nozzle
11	5AFL12	Add-On Faucet w/ 12" Swing Nozzle
12	5-HDL-L	equip Lever Handle w/ Color Coded Screws
13	013788-45	equip Ceramic Cartridge, LTC
14	013840-45	20mm Check Valve (2)
15	001019-45	Coupling Nut Washer
16	00AA	1/2" NPT Female Eccentric Flange
17	013787-45	Equip Ceramic Cartridge, RTC
18	013849-45	Screw, 4mm Metric (10)

Model Number
5PR-8D12-H

Product Compliance:
 ASME A112.18.1 / CSA B125.1
 NSF 61 - Section 9
 NSF 372 (Low Lead Content)
 EPA Act 2005 Non-Compliant (PRSV)
 Product Not Designed/Intended for
 Commercial Warewashing in North America

Product Specifications:
 International Pre-Rinse Unit: 8" Deck Mount Mixing Faucet w/
 Quarter-Turn Ceramic Cartridges, Add-On Faucet w/ 12" Swing
 Nozzle, High Flow Spray Valve, 6" Wall Bracket, In-Line Check
 Valves & 1/2" NPT Female Inlets

equip
 Foodservice
 Accessories

2 Saddleback Cove, P.O. Box 1088
 Travelers Rest, South Carolina 29690
 Phone: 800.891.4808 Fax: 800.868.0084
 equip.tsbrass.com