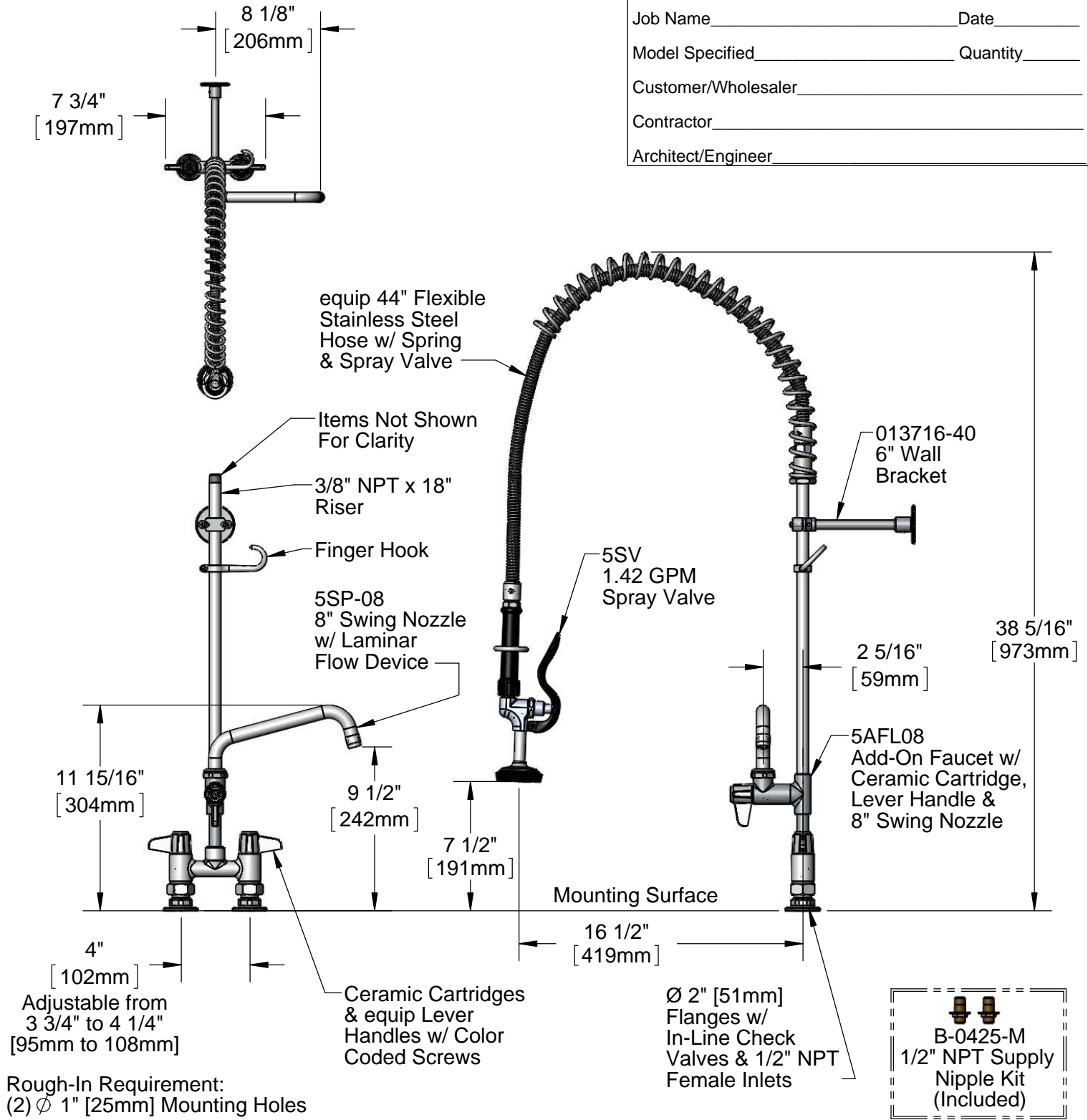


This Space for Architect/Engineer Approval

Job Name _____ Date _____
 Model Specified _____ Quantity _____
 Customer/Wholesaler _____
 Contractor _____
 Architect/Engineer _____



Rough-In Requirement:
 (2) Ø 1" [25mm] Mounting Holes

Model Number
5PR-4DLS08

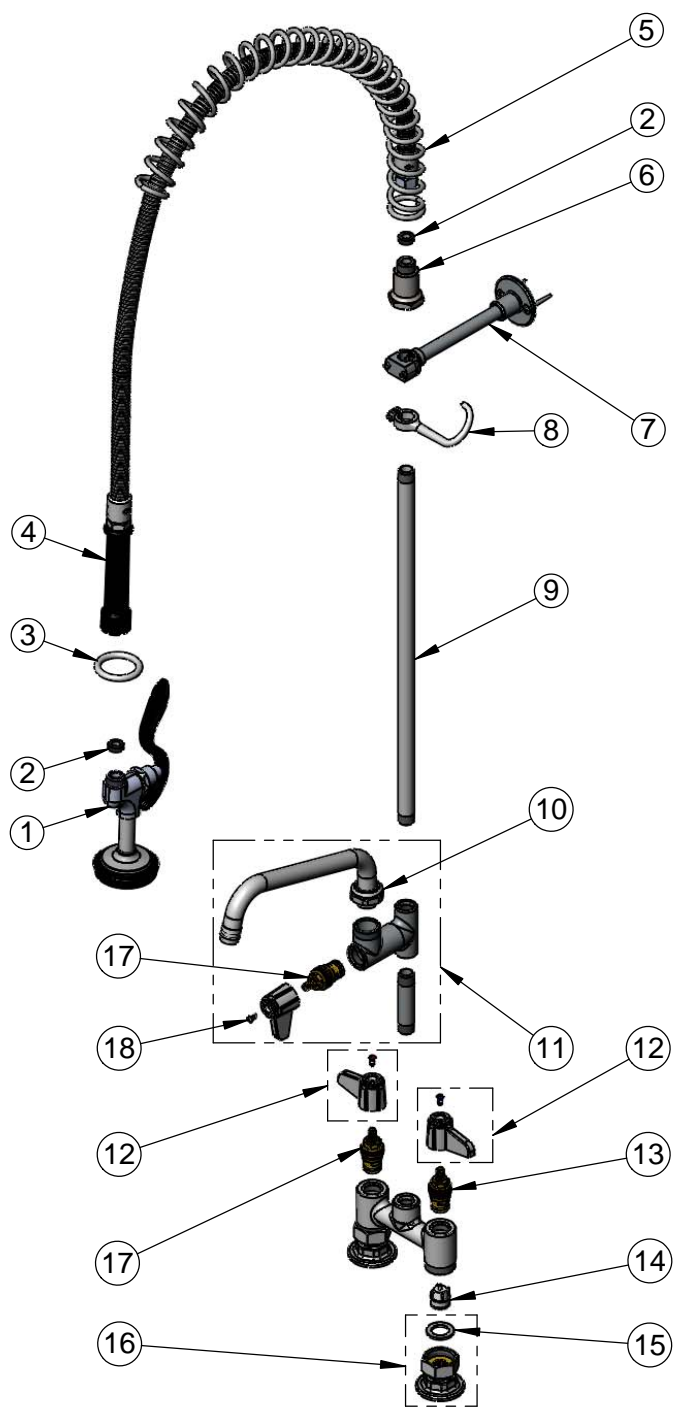
Product Compliance:
 ASME A112.18.1 / CSA B125.1
 NSF 61 - Section 9
 NSF 372 (Low Lead Content)
 EPA Act 2005 (PRSV)

Product Specifications:
 Pre-Rinse Unit: 4" Deck Mount Mixing Faucet, Ceramic Cartridges, Lever Handles, Add-On Faucet w/ 8" Swing Nozzle, 44" Flexible Stainless Steel Hose, 1.42 GPM Spray Valve, In-Line Check Valves, 6" Wall Bracket & 1/2" NPT Supply Nipple Kit

equip Foodservice Accessories

2 Saddleback Cove, P.O. Box 1088
 Travelers Rest, South Carolina 29690
 Phone: 800.891.4808 Fax: 800.868.0084
 equip.tsbrass.com

ITEM NO.	SALES NO.	DESCRIPTION
1	5SV	equip 1.42 GPM Spray Valve
2	010476-45	#27 Washer
3	000907-45	Spray Valve Hold Down Ring
4	5HSE44	44" Flexible Stainless Steel Hose
5	014068-45	Overhead Spring
6	000821-40	Spring Body
7	013716-40	6" Wall Bracket
8	004R	Finger Hook
9	000369-40	3/8" NPT x 18" Riser
10	5SP-08	equip 8" Swing Nozzle
11	5AFL08	Add-On Faucet w/ 8" Swing Nozzle
12	5-HDL-L	equip Lever Handle w/ Color Coded Screws
13	013788-45	equip Ceramic Cartridge, LTC
14	013840-45	20mm Check Valve (2)
15	001019-45	Coupling Nut Washer
16	00AA	1/2" NPT Female Eccentric Flange
17	013787-45	Equip Ceramic Cartridge, RTC
18	013849-45	Screw, 4mm Metric (10)
19	B-0425-M	1/2" NPT Supply Nipple Kit



Model Number
5PR-4DLS08

Product Specifications:
Pre-Rinse Unit: 4" Deck Mount Mixing Faucet, Ceramic Cartridges, Lever Handles, Add-On Faucet w/ 8" Swing Nozzle, 44" Flexible Stainless Steel Hose, 1.42 GPM Spray Valve, In-Line Check Valves, 6" Wall Bracket & 1/2" NPT Supply Nipple Kit

Product Compliance:
ASME A112.18.1 / CSA B125.1
NSF 61 - Section 9
NSF 372 (Low Lead Content)
EPA Act 2005 (PRSV)

equip
Foodservice
Accessories

2 Saddleback Cove, P.O. Box 1088
Travelers Rest, South Carolina 29690
Phone: 800.891.4808 Fax: 800.868.0084
equip.tsbrass.com