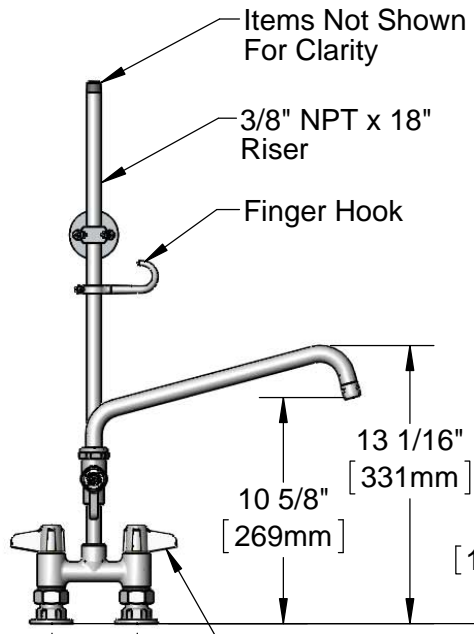


5SP-12
12" Swing Nozzle
w/ Laminar
Flow Device

equip 44" Flexible
Stainless Steel Hose
w/ Spring &
Spray Valve



Items Not Shown
For Clarity

3/8" NPT x 18"
Riser

Finger Hook

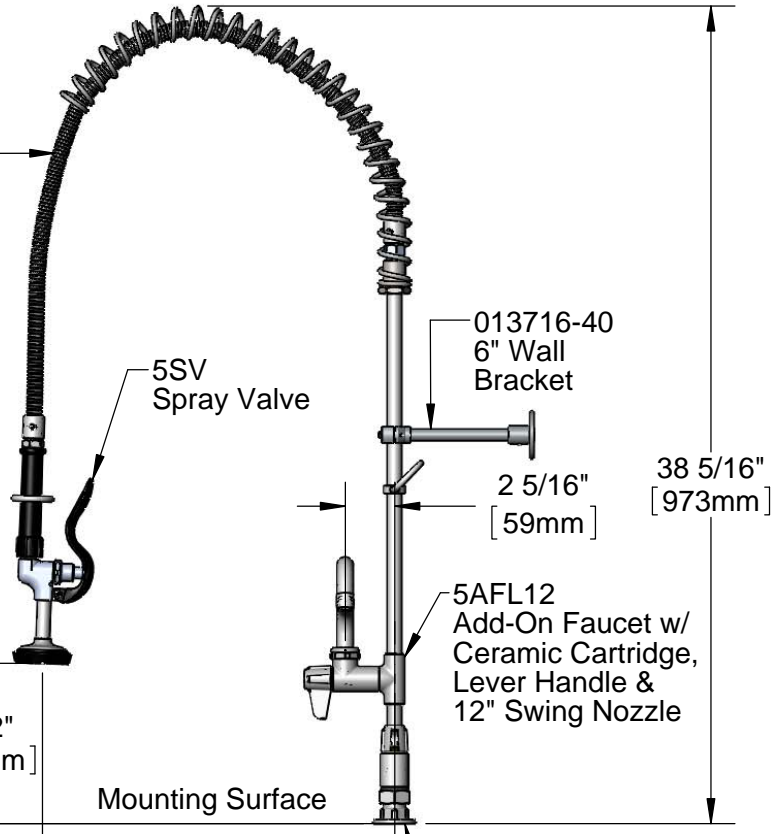
10 5/8"
[269mm]

13 1/16"
[331mm]

7 1/2"
[191mm]

4"
[102mm]
Adjustable from
3 3/4" to 4 1/4"
[95mm to 108mm]

Quarter-Turn
Ceramic Cartridges
& equip Lever
Handles w/ Color
Coded Screws



5SV
Spray Valve

013716-40
6" Wall
Bracket

2 5/16"
[59mm]

38 5/16"
[973mm]

5AFL12
Add-On Faucet w/
Ceramic Cartridge,
Lever Handle &
12" Swing Nozzle

Mounting Surface

16 1/2"
[419mm]

Ø 2" [51mm]
Flanges w/
In-Line Check
Valves & 1/2" NPT
Female Inlets



B-0425-M
1/2" NPT Supply
Nipple Kit
(Sold Separately)

This Space for Architect/Engineer Approval

Job Name _____ Date _____
 Model Specified _____ Quantity _____
 Customer/Wholesaler _____
 Contractor _____
 Architect/Engineer _____

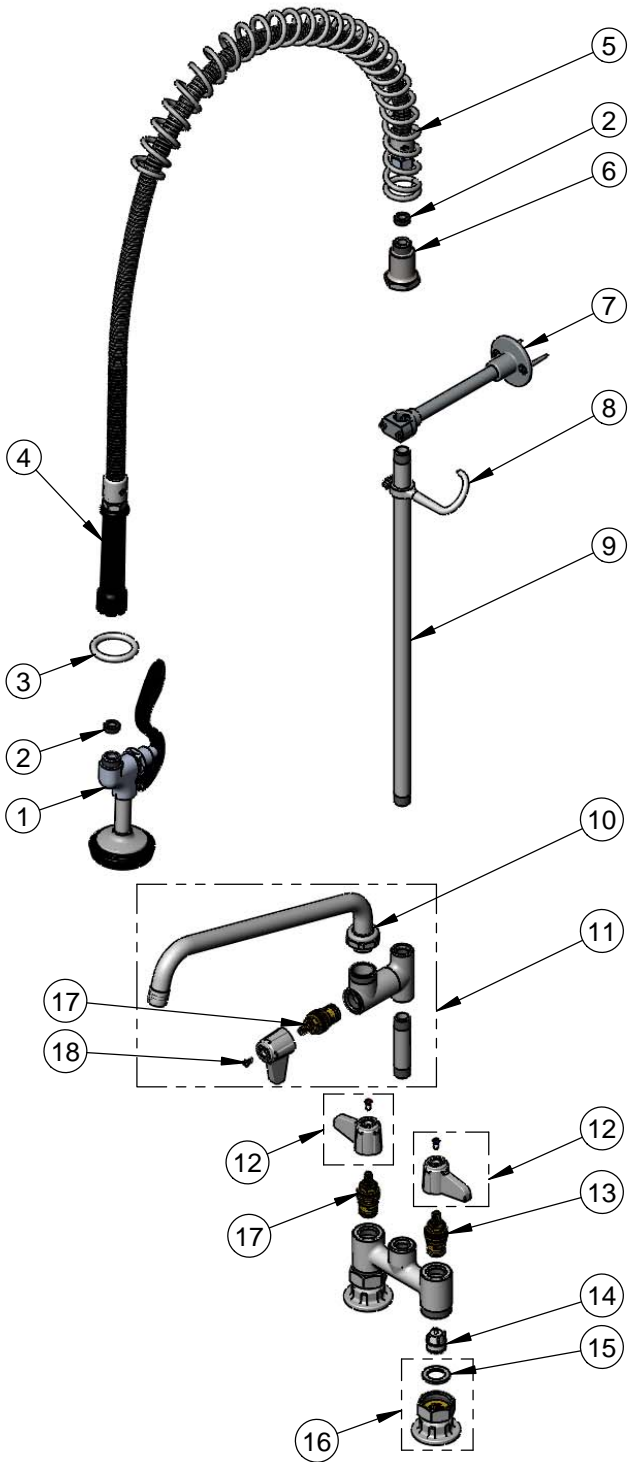
Model Number
5PR-4D12

Product Specifications:
 Pre-Rinse Unit: 4" Deck Mount Mixing Faucet, Quarter-Turn
 Ceramic Cartridges, Add-On Faucet w/ 12" Swing Nozzle, 1.42
 GPM Spray Valve, 6" Wall Bracket, In-Line Check Valves & 1/2"
 NPT Female Inlets

Product Compliance:
 ASME A112.18.1 / CSA B125.1
 NSF 61 - Section 9
 NSF 372 (Low Lead Content)
 EPA Act 2005 (PRSV)

equip
Foodservice
Accessories

2 Saddleback Cove, P.O. Box 1088
 Travelers Rest, South Carolina 29690
 Phone: 800.891.4808 Fax: 800.868.0084
 equip.tsbrass.com



ITEM NO.	SALES NO.	DESCRIPTION
1	5SV	equip Spray Valve
2	010476-45	#27 Washer
3	000907-45	Spray Valve Hold Down Ring
4	5HSE44	equip 44" Flexible Stainless Steel Hose
5	014068-45	Overhead Spring
6	000821-40	Spring Body
7	013716-40	6" Wall Bracket
8	004R	Finger Hook
9	000369-40	3/8" NPT x 18" Riser
10	5SP-12	equip 12" Swing Nozzle
11	5AFL12	Add-On Faucet w/ 12" Swing Nozzle
12	5-HDL-L	equip Lever Handle w/ Color Coded Screws
13	013788-45	equip Ceramic Cartridge, LTC
14	013840-45	20mm Check Valve (2)
15	001019-45	Coupling Nut Washer
16	00AA	1/2" NPT Female Eccentric Flange
17	013787-45	Equip Ceramic Cartridge, RTC
18	013849-45	Handle Screw (10)

Model Number

5PR-4D12

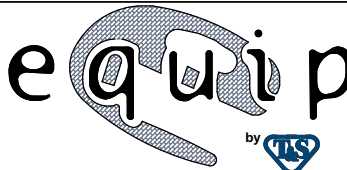
Product Specifications:

Pre-Rinse Unit: 4" Deck Mount Mixing Faucet, Quarter-Turn Ceramic Cartridges, Add-On Faucet w/ 12" Swing Nozzle, 1.42 GPM Spray Valve, 6" Wall Bracket, In-Line Check Valves & 1/2" NPT Female Inlets

Product Compliance:

ASME A112.18.1 / CSA B125.1
NSF 61 - Section 9
NSF 372 (Low Lead Content)
EPA Act 2005 (PRSV)

equip
Foodservice
Accessories



2 Saddleback Cove, P.O. Box 1088
Travelers Rest, South Carolina 29690
Phone: 800.891.4808 Fax: 800.868.0084
equip.tsbrass.com