

7 3/4"
[197mm]

This Space for Architect/Engineer Approval

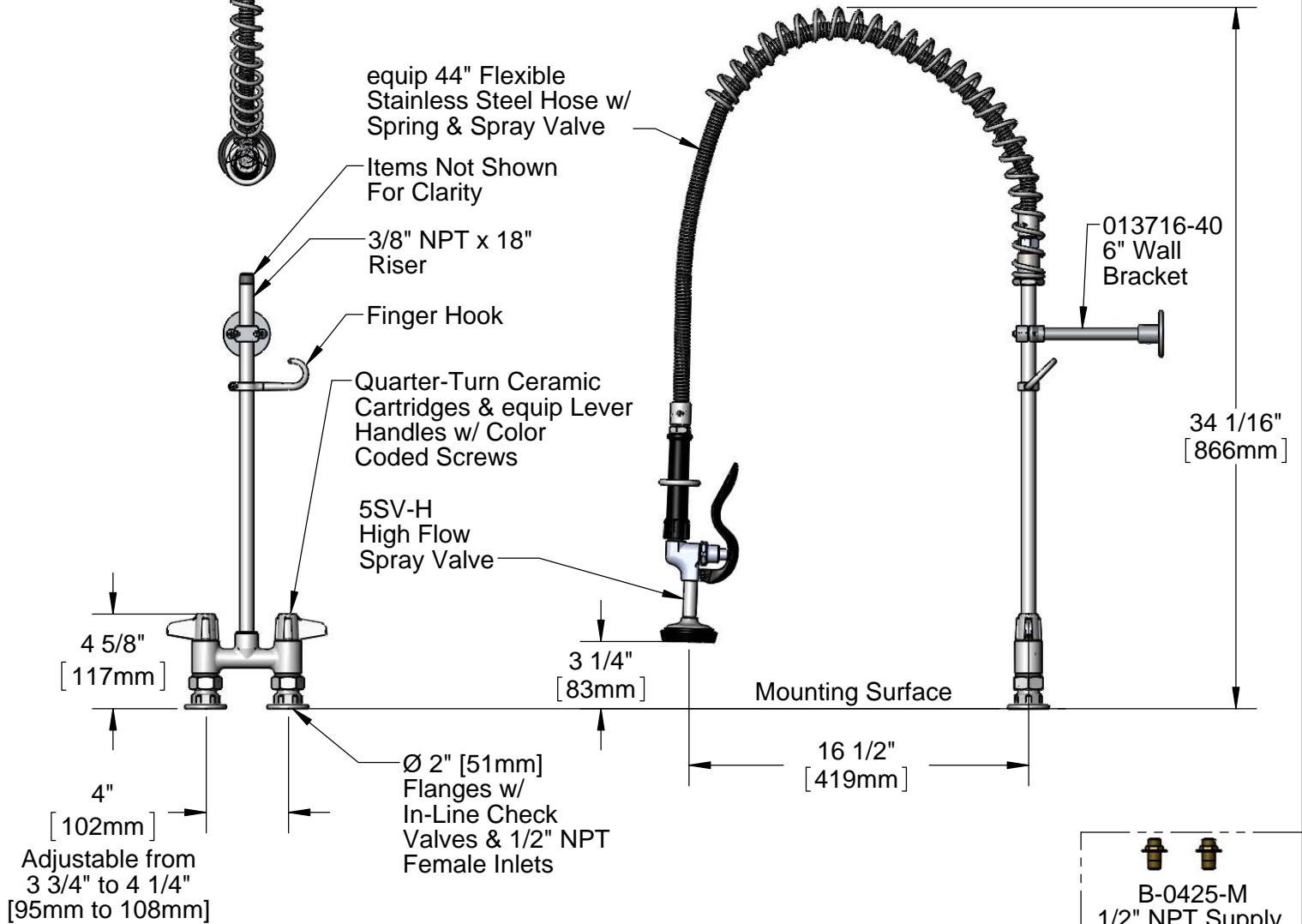
Job Name _____ Date _____

Model Specified _____ Quantity _____

Customer/Wholesaler _____

Contractor _____

Architect/Engineer _____




B-0425-M
1/2" NPT Supply Nipple Kit
(Sold Separately)

Model Number
5PR-4D00-H

Product Specifications:
Pre-Rinse Unit: 4" Deck Mount Mixing Faucet w/ Ceramic Cartridges, 5SV-H High Flow Spray Valve, 6" Wall Bracket, In-Line Check Valves & 1/2" NPT Female Inlets

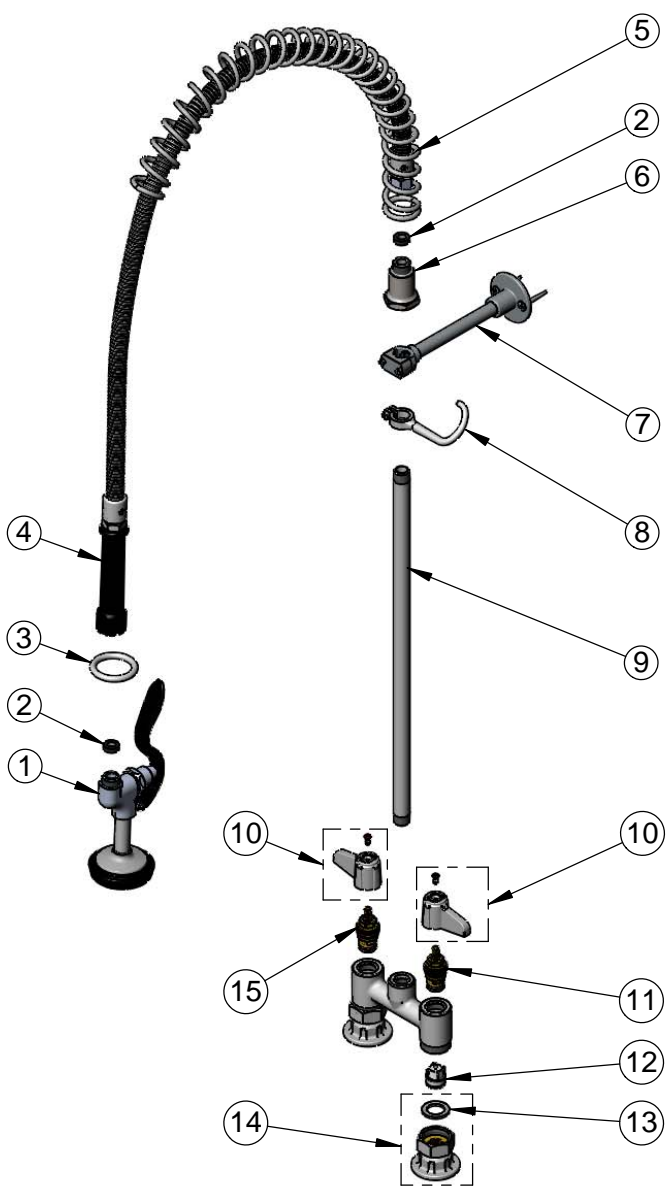
Product Compliance:
ASME A112.18.1 / CSA B125.1
NSF 61 - Section 9
NSF 372 (Low Lead Content)
EPA Act 2005 Non-Compliant (PRSV)

equip Foodservice Accessories



2 Saddleback Cove, P.O. Box 1088
Travelers Rest, South Carolina 29690
Phone: 800.891.4808 Fax: 800.868.0084
equip.tsbrass.com

ITEM NO.	SALES NO.	DESCRIPTION
1	5SV-H	equip High Flow Spray Valve
2	010476-45	#27 Washer
3	000907-45	Spray Valve Hold Down Ring
4	5HSE44	equip 44" Flexible Stainless Steel Hose
5	014068-45	Overhead Spring
6	000821-40	Spring Body
7	013716-40	6" Wall Bracket
8	004R	Finger Hook
9	000369-40	3/8" NPT x 18" Riser
10	5-HDL-L	equip Lever Handle w/ Color Coded Screws
11	013788-45	equip Ceramic Cartridge, LTC
12	013840-45	20mm Check Valve (2)
13	001019-45	Coupling Nut Washer
14	00AA	1/2" NPT Female Eccentric Flange
15	013787-45	Equip Ceramic Cartridge, RTC



Model Number
5PR-4D00-H

Product Compliance:
ASME A112.18.1 / CSA B125.1
NSF 61 - Section 9
NSF 372 (Low Lead Content)
EPA Act 2005 Non-Compliant (PRSV)

Product Specifications:
Pre-Rinse Unit: 4" Deck Mount Mixing Faucet w/ Ceramic Cartridges, 5SV-H High Flow Spray Valve, 6" Wall Bracket, In-Line Check Valves & 1/2" NPT Female Inlets

equip
Foodservice
Accessories



2 Saddleback Cove, P.O. Box 1088
Travelers Rest, South Carolina 29690
Phone: 800.891.4808 Fax: 800.868.0084
equip.tsbrass.com