

This Space for Architect/Engineer Approval

Job Name _____ Date _____

Model Specified _____ Quantity _____

Customer/Wholesaler _____

Contractor _____

Architect/Engineer _____

Model Number
5PR-2S12

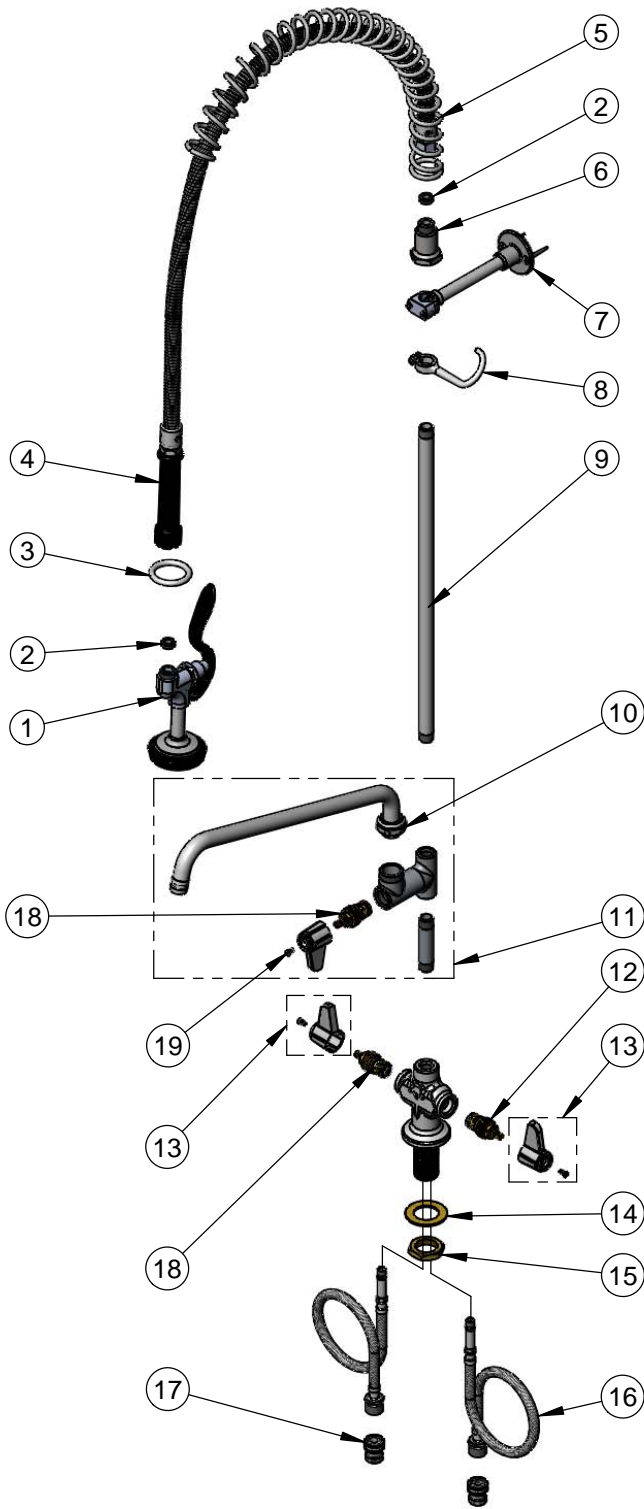
Product Compliance:
 ASME A112.18.1 / CSA B125.1
 NSF 61 - Section 9
 NSF 372 (Low Lead Content)
 EPA Act 2005 (PRSV)

Product Specifications:
 Pre-Rinse Unit: Single Hole Deck Mount Mixing Faucet, Ceramic Cartridges, Lever Handles, Add-On Faucet w/ 12" Swing Nozzle, 1.42 GPM Spray Valve, 1/2" BSPP In-Line Check Valves, 6" Wall Bracket & Flexible Supply Hoses

equip
 Foodservice
 Accessories



2 Saddleback Cove, P.O. Box 1088
 Travelers Rest, South Carolina 29690
 Phone: 800.891.4808 Fax: 800.868.0084
 equip.tsbrass.com



ITEM NO.	SALES NO.	DESCRIPTION
1	5SV	equip 1.42 GPM Spray Valve
2	010476-45	#27 Washer
3	000907-45	Spray Valve Hold Down Ring
4	5HSE44	equip 44" Flexible Stainless Steel Hose
5	014068-45	Overhead Spring
6	000821-40	Spring Body
7	013716-40	6" Wall Bracket
8	004R	Finger Hook
9	000369-40	3/8" NPT x 18" Riser
10	5SP-12	equip 12" Swing Nozzle
11	5AFL12	Add-On Faucet w/ 12" Swing Nozzle
12	013788-45	equip Ceramic Cartridge, LTC
13	5-HDL-L	equip Lever Handle w/ Color Coded Screws
14	002290-45	Lock Washer
15	000965-45	Lock Nut
16	012534-45	18' Flexible Supply Hose (2)
17	010321-45	1/2" BSPP In-Line Check Valve
18	013787-45	equip Ceramic Cartridge, RTC
19	013849-45	Screw, 4mm Metric (10)

Model Number

5PR-2S12

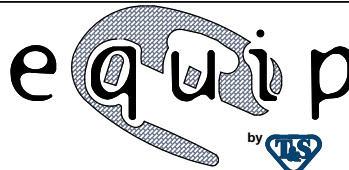
Product Specifications:

Pre-Rinse Unit: Single Hole Deck Mount Mixing Faucet, Ceramic Cartridges, Lever Handles, Add-On Faucet w/ 12" Swing Nozzle, 1.42 GPM Spray Valve, 1/2" BSPP In-Line Check Valves, 6" Wall Bracket & Flexible Supply Hoses

Product Compliance:

ASME A112.18.1 / CSA B125.1
NSF 61 - Section 9
NSF 372 (Low Lead Content)
EPAAct 2005 (PRSV)

equip
Foodservice
Accessories



2 Saddleback Cove, P.O. Box 1088
Travelers Rest, South Carolina 29690
Phone: 800.891.4808 Fax: 800.868.0084
equip.tsbrass.com