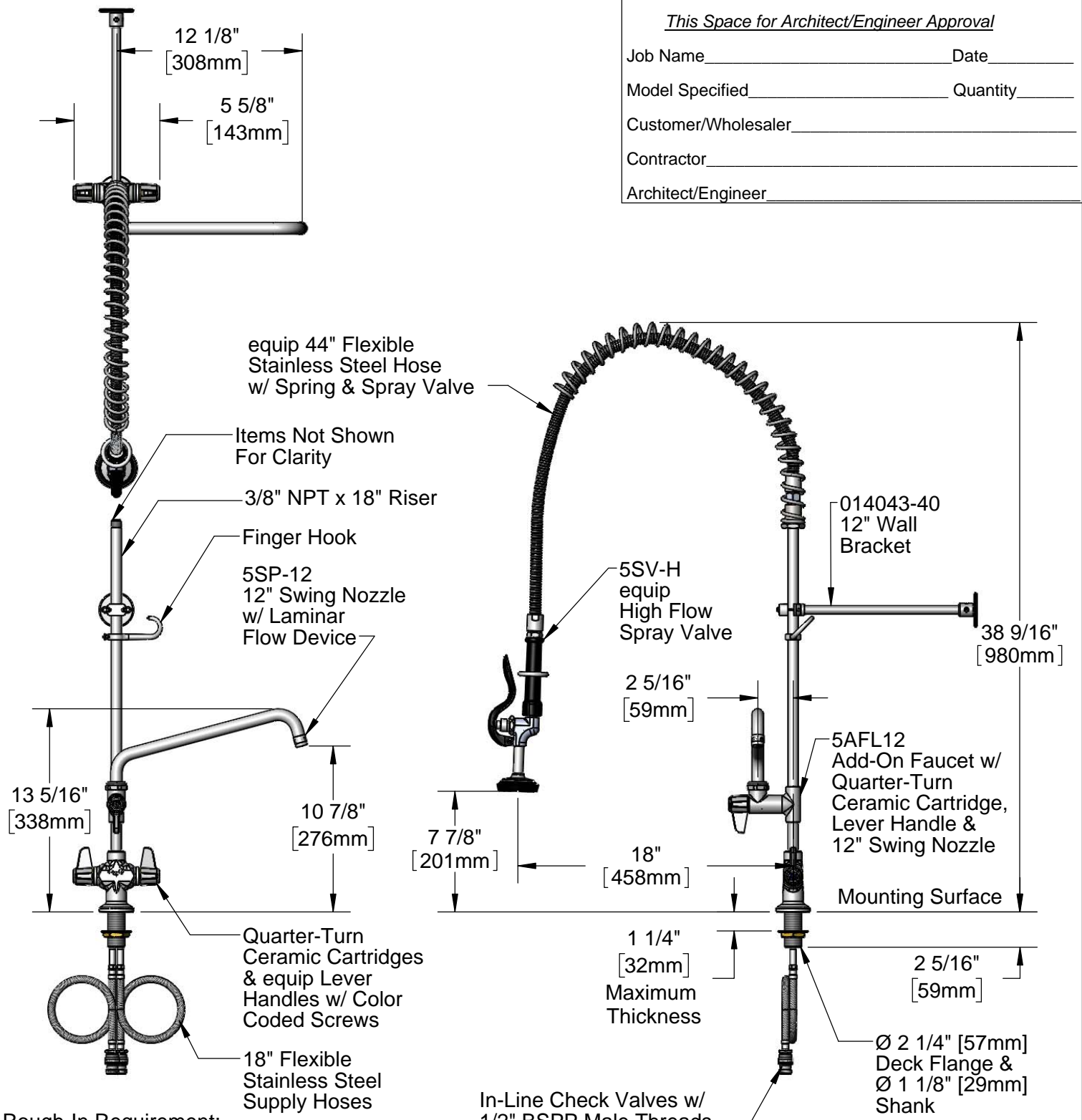


This Space for Architect/Engineer Approval

Job Name _____ Date _____
 Model Specified _____ Quantity _____
 Customer/Wholesaler _____
 Contractor _____
 Architect/Engineer _____



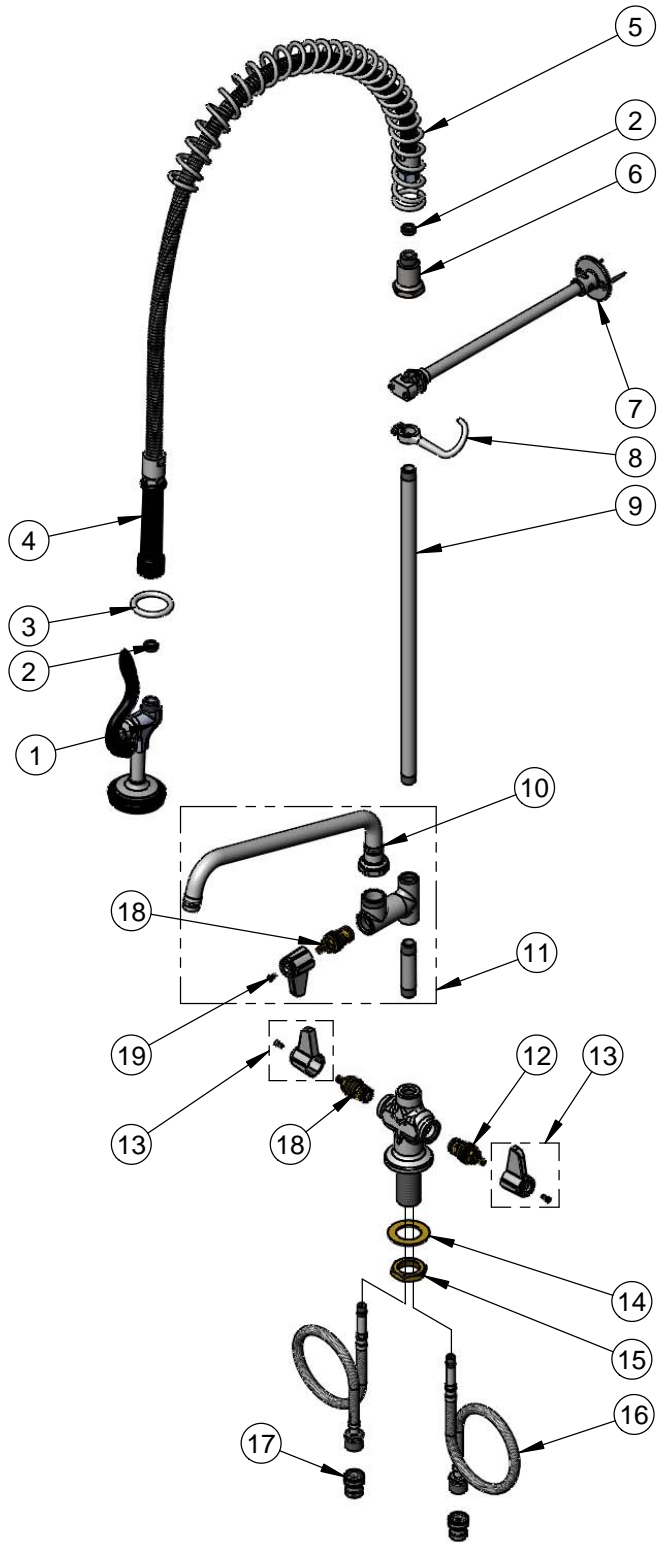
Model Number
5PR-2S12-12WB-H

Product Compliance:
 ASME A112.18.1 / CSA B125.1
 NSF 61 - Section 9
 NSF 372 (Low Lead Content)
 EPA Act 2005 Non-Compliant (PRSV)
 Product Not Designed/Intended for
 Commercial Warewashing in North America

Product Specifications:
 International Pre-Rinse Unit: Single Hole Deck Mount Mixing Faucet, Quarter-Turn Ceramic Cartridges, Add-On Faucet w/ 12" Swing Nozzle, 12" Wall Bracket, High Flow Spray Valve, 1/2" BSPP In-Line Check Valves & Flexible Supply Hoses

equip
 Foodservice
 Accessories

2 Saddleback Cove, P.O. Box 1088
 Travelers Rest, South Carolina 29690
 Phone: 800.891.4808 Fax: 800.868.0084
 equip.tsbrass.com



| ITEM NO. | SALES NO. | DESCRIPTION |
|----------|-----------|---|
| 1 | 5SV-H | equip High Flow Spray Valve |
| 2 | 010476-45 | #27 Washer |
| 3 | 000907-45 | Spray Valve Hold Down Ring |
| 4 | 5HSE44 | equip 44" Flexible Stainless Steel Hose |
| 5 | 014068-45 | Overhead Spring |
| 6 | 000821-40 | Spring Body |
| 7 | 014043-40 | 12" Wall Bracket |
| 8 | 004R | Finger Hook |
| 9 | 000369-40 | 3/8" NPT x 18" Riser |
| 10 | 5SP-12 | equip 12" Swing Nozzle |
| 11 | 5AFL12 | Add-On Faucet w/ 12" Swing Nozzle |
| 12 | 013788-45 | equip Quarter-Turn Ceramic Cartridge, LTC |
| 13 | 5-HDL-L | equip Lever Handle w/ Color Coded Screws |
| 14 | 002290-45 | Lock Washer |
| 15 | 000965-45 | Lock Nut |
| 16 | 012534-45 | 18" Flexible Connector Hose (2) |
| 17 | 010321-45 | 1/2" BSPP In-Line Check Valve |
| 18 | 013787-45 | equip Quarter-Turn Ceramic Cartridge, RTC |
| 19 | 013849-45 | Lever Handle Screw |

Model Number

5PR-2S12-12WB-H

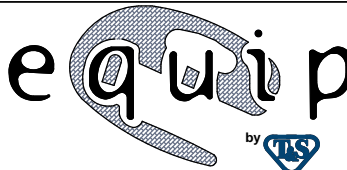
Product Specifications:

International Pre-Rinse Unit: Single Hole Deck Mount Mixing Faucet, Quarter-Turn Ceramic Cartridges, Add-On Faucet w/ 12" Swing Nozzle, 12" Wall Bracket, High Flow Spray Valve, 1/2" BSPP In-Line Check Valves & Flexible Supply Hoses

Product Compliance:

ASME A112.18.1 / CSA B125.1
 NSF 61 - Section 9
 NSF 372 (Low Lead Content)
 EPA Act 2005 Non-Compliant (PRSV)
 Product Not Designed/Intended for
 Commercial Warewashing in North America

equip
 Foodservice
 Accessories



2 Saddleback Cove, P.O. Box 1088
 Travelers Rest, South Carolina 29690
 Phone: 800.891.4808 Fax: 800.868.0084
 equip.tsbrass.com