

*This Space for Architect/Engineer Approval*  
 Job Name \_\_\_\_\_ Date \_\_\_\_\_  
 Model Specified \_\_\_\_\_ Quantity \_\_\_\_\_  
 Customer/Wholesaler \_\_\_\_\_  
 Contractor \_\_\_\_\_  
 Architect/Engineer \_\_\_\_\_

5SP-14  
 equip 14" Swing  
 Nozzle w/ Laminar  
 Flow Device

equip 44" Flexible  
 Stainless Steel Hose  
 w/ Spring & Spray  
 Valve

Items Not Shown  
 For Clarity  
 3/8" NPT x 18" Riser

Finger Hook

14 1/8"  
 [359mm]

14 5/16"  
 [364mm]

11 7/8"  
 [302mm]

Quarter-Turn Ceramic  
 Cartridge & equip Lever  
 Handle w/ Color Coded  
 Screw



5SV  
 1.42 GPM  
 equip Spray  
 Valve

2 5/16"  
 [59mm]

16 1/2"  
 [419mm]

Mounting Surface

8 1/4"  
 [210mm]

1 5/8"  
 [42mm]  
 Maximum  
 Thickness

013716-40  
 6" Wall  
 Bracket

39 1/16"  
 [992mm]

5AFL14  
 Add-On Faucet  
 w/ Quarter-Turn  
 Ceramic Cartridge,  
 equip Lever Handle  
 & equip 14" Swing  
 Nozzle

Ø 2 1/4" [57mm]  
 Flange w/ 1/2" NPSM  
 Male Inlet

Rough-In Requirement:  
 Ø 1" [25mm] Mounting Hole

Model Number  
**5PR-1S14**

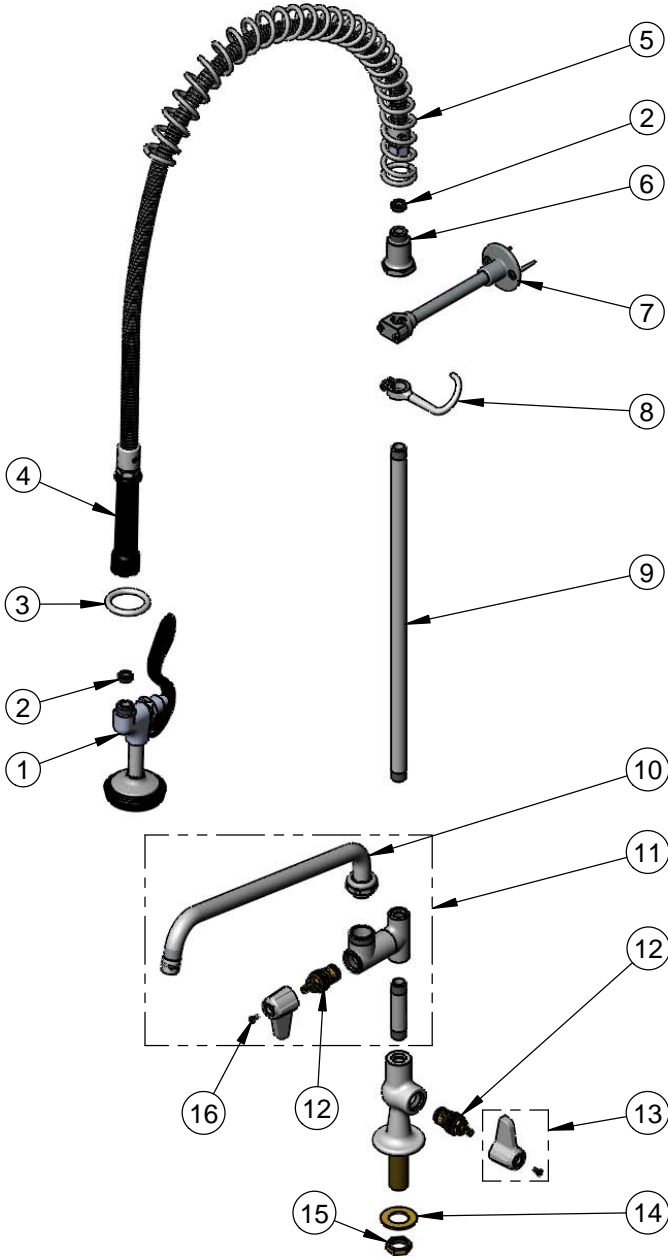
Product Compliance:  
 ASME A112.18.1 / CSA B125.1  
 NSF 61 - Section 9  
 NSF 372 (Low Lead Content)  
 EPAAct 2005 (PRSV)

Product Specifications:  
 PRU: Single Hole Deck Mount Faucet, Quarter-Turn Ceramic Cartridge,  
 equip 14" Swing Nozzle, equip 44" Flexible Stainless Steel Hose, 1.42 GPM  
 equip Spray Valve, 6" Wall Bracket & 1/2" NPSM Male Inlet

equip  
 Foodservice  
 Accessories

2 Saddleback Cove, P.O. Box 1088  
 Travelers Rest, South Carolina 29690  
 Phone: 800.891.4808 Fax: 800.868.0084  
 equip.tsbrass.com

ITEM NO.	SALES NO.	DESCRIPTION
1	5SV	1.42 GPM equip Spray Valve
2	010476-45	#27 Washer
3	000907-45	Spray Valve Hold Down Ring
4	5HSE44	equip 44" Flexible Stainless Steel Hose
5	014068-45	Overhead Spring
6	000821-40	Spring Body
7	013716-40	6" Wall Bracket
8	004R	Finger Hook
9	000369-40	3/8" NPT x 18" Riser
10	5SP-14	equip 14" Swing Nozzle
11	5AFL14	Add-On Faucet w/ equip 14" Swing Nozzle
12	013787-45	equip Quarter-Turn Ceramic Cartridge, RTC
13	5-HDL-L	equip Lever Handle w/ Color Coded Screws
14	000999-45	Brass Lock Washer
15	002954-45	Shank Lock Nut
16	013849-45	Screw, 4mm Metric (10)



Model Number

**5PR-1S14**

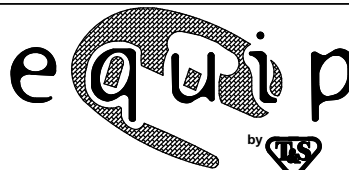
Product Specifications:

PRU: Single Hole Deck Mount Faucet, Quarter-Turn Ceramic Cartridge, equip 14" Swing Nozzle, equip 44" Flexible Stainless Steel Hose, 1.42 GPM equip Spray Valve, 6" Wall Bracket & 1/2" NPSM Male Inlet

Product Compliance:

ASME A112.18.1 / CSA B125.1  
NSF 61 - Section 9  
NSF 372 (Low Lead Content)  
EPA Act 2005 (PRSV)

equip  
Foodservice  
Accessories



2 Saddleback Cove, P.O. Box 1088  
Travelers Rest, South Carolina 29690  
Phone: 800.891.4808 Fax: 800.868.0084  
equip.tsbrass.com