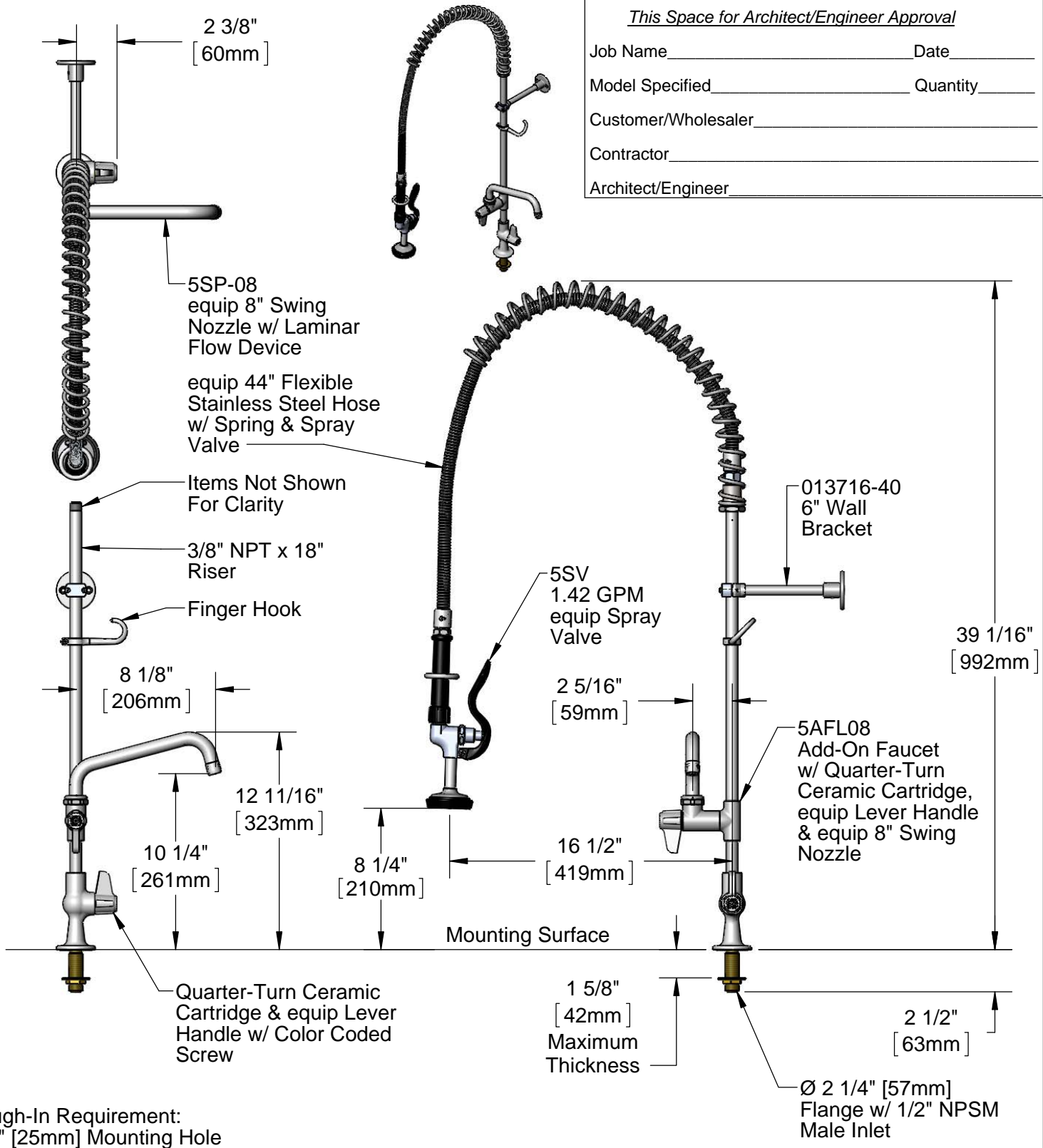


This Space for Architect/Engineer Approval

Job Name _____ Date _____
 Model Specified _____ Quantity _____
 Customer/Wholesaler _____
 Contractor _____
 Architect/Engineer _____



Rough-In Requirement:
 Ø 1" [25mm] Mounting Hole

Model Number
5PR-1S08

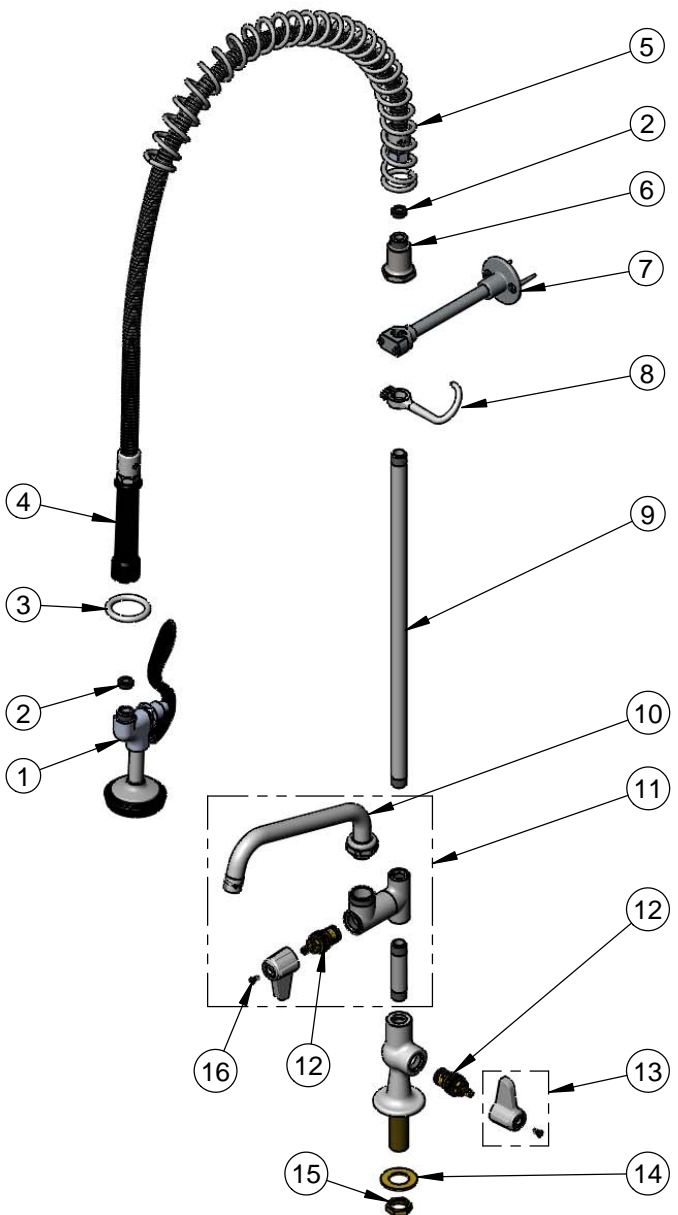
Product Compliance:
 ASME A112.18.1 / CSA B125.1
 NSF 61 - Section 9
 NSF 372 (Low Lead Content)
 EPAAct 2005 (PRSV)

Product Specifications:
 PRU: Single Hole Deck Mount Faucet, Quarter-Turn Ceramic Cartridge, equip 8" Swing Nozzle, equip 44" Flexible Stainless Steel Hose, 1.42 GPM equip Spray Valve, 6" Wall Bracket & 1/2" NPSM Male Inlet

equip Foodservice Accessories

2 Saddleback Cove, P.O. Box 1088
 Travelers Rest, South Carolina 29690
 Phone: 800.891.4808 Fax: 800.868.0084
 equip.tsbrass.com

ITEM NO.	SALES NO.	DESCRIPTION
1	5SV	1.42 GPM equip Spray Valve
2	010476-45	#27 Washer
3	000907-45	Spray Valve Hold Down Ring
4	5HSE44	equip 44" Flexible Stainless Steel Hose
5	014068-45	Overhead Spring
6	000821-40	Spring Body
7	013716-40	6" Wall Bracket
8	004R	Finger Hook
9	000369-40	3/8" NPT x 18" Riser
10	5SP-08	equip 8" Swing Nozzle
11	5AFL08	Add-On Faucet w/ 8" Swing Nozzle
12	013787-45	equip Quarter-Turn Ceramic Cartridge, RTC
13	5-HDL-L	equip Lever Handle w/ Color Coded Screws
14	000999-45	Brass Lock Washer
15	002954-45	Shank Lock Nut
16	013849-45	Screw, 4mm Metric (10)



Model Number
5PR-1S08

Product Compliance:
ASME A112.18.1 / CSA B125.1
NSF 61 - Section 9
NSF 372 (Low Lead Content)
EPAAct 2005 (PRSV)

Product Specifications:
PRU: Single Hole Deck Mount Faucet, Quarter-Turn Ceramic Cartridge, equip 8" Swing Nozzle, equip 44" Flexible Stainless Steel Hose, 1.42 GPM equip Spray Valve, 6" Wall Bracket & 1/2" NPSM Male Inlet

equip
Foodservice
Accessories



2 Saddleback Cove, P.O. Box 1088
Travelers Rest, South Carolina 29690
Phone: 800.891.4808 Fax: 800.868.0084
equip.tsbrass.com