



ADA Compliant

This Space for Architect/Engineer Approval

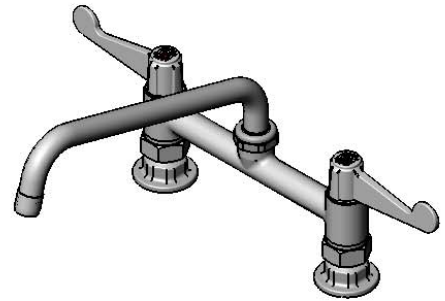
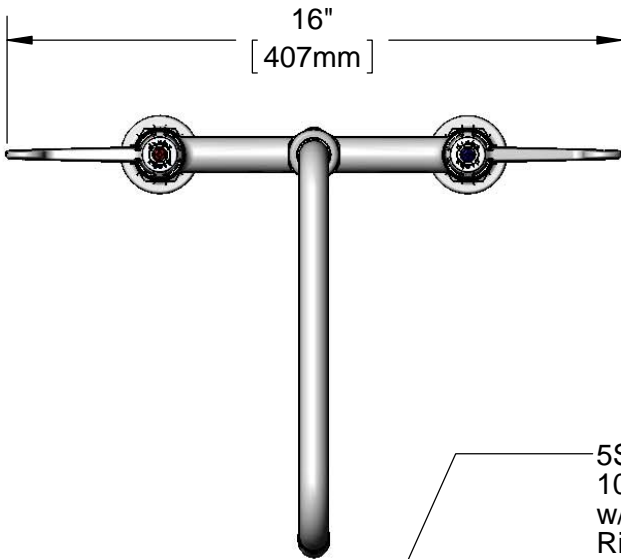
Job Name _____ Date _____

Model Specified _____ Quantity _____

Customer/Wholesaler _____

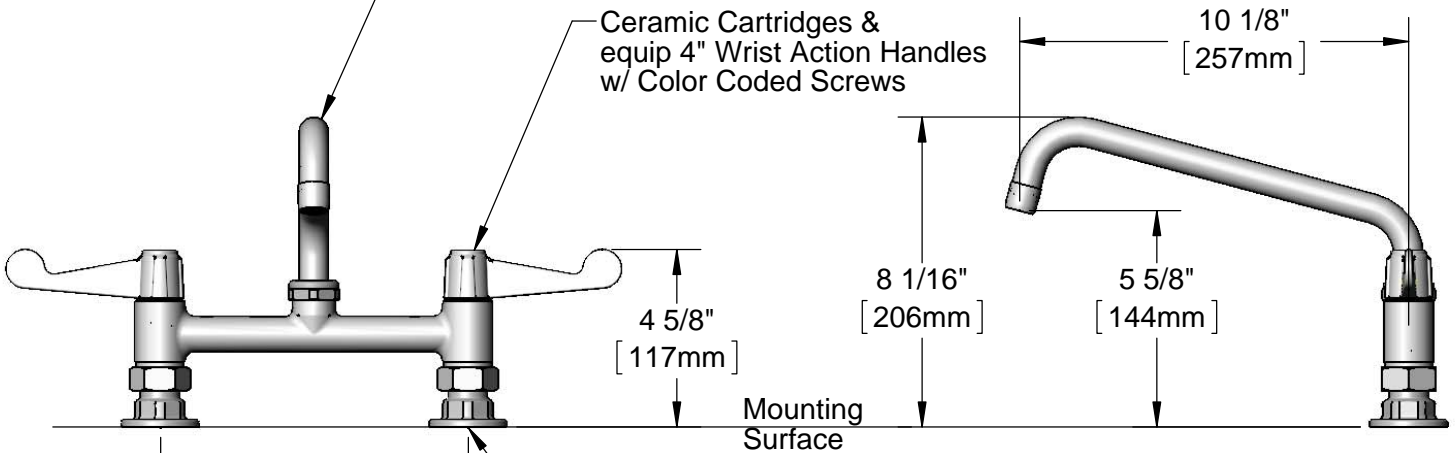
Contractor _____

Architect/Engineer _____



5SP-10
10" equip Swing Nozzle
w/ Laminar Flow Device.
Rigid Conversion Requires
014200-45 Lock Washer
(Sold Separately)

Ceramic Cartridges &
equip 4" Wrist Action Handles
w/ Color Coded Screws



8"
[203mm]
Adjustable from
7 3/4" to 8 1/4"
[197mm to 210mm]

Ø 2" [51mm]
Flanges w/
1/2" NPT
Female Inlets



Model Number
5F-8DWS10

Date
12/09/13

Scale
1:5

Drawn
DHL

Checked
DMH

Approved
JHB

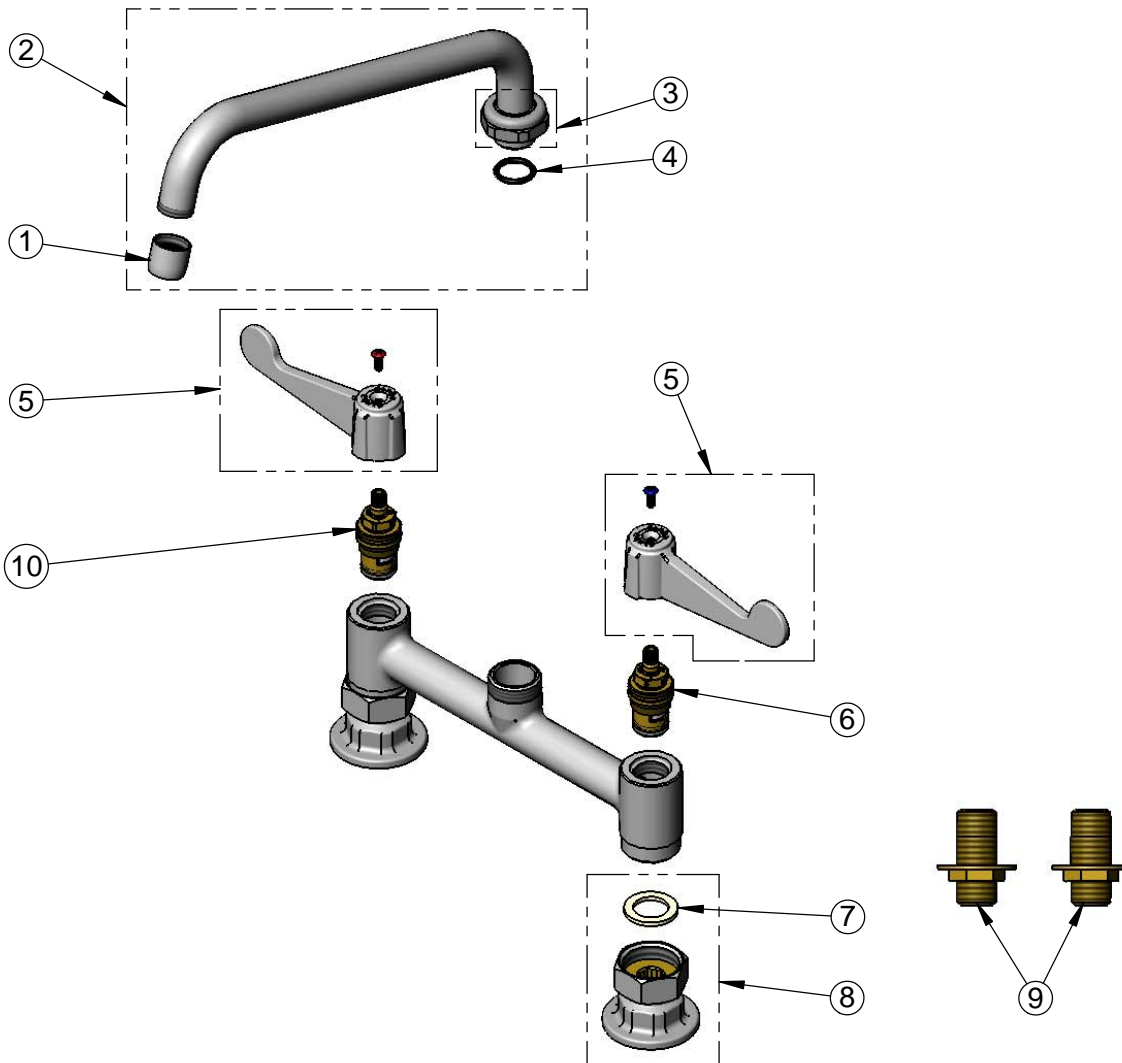


Product Specifications:

**8" Deck Mount Mixing Faucet w/ Ceramic Cartridges,
equip 4" Wrist Action Handles, 10" equip Swing Nozzle
& 1/2" NPT Supply Nipple Kit**

equip Foodservice Accessories
2 Saddleback Cove, P.O. Box 1088
Travelers Rest, South Carolina 29690
Phone: 800.891.4808 Fax: 800.868.0084

ITEM NO.	SALES NO.	DESCRIPTION
1	014250-45	Laminar Flow Device
2	5SP-10	10" equip Swing Nozzle
3	013839-25	equip Swivel Nut
4	013848-45	equip Swivel Piece O-Ring
5	5-HDL-W	equip 4" Wrist Action Handle w/ Color Coded Screws
6	013788-45	equip Ceramic Cartridge, LTC
7	001019-45	Coupling Nut Washer
8	00AA	1/2" NPT Female Eccentric Flange
9	B-0425-M	1/2" NPT Supply Nipple Kit (2)
10	013787-45	equip Ceramic Cartridge, RTC



Model Number 5F-8DWS10	Date 12/09/13	Scale 1:4	Drawn DHL	Checked DMH	Approved JHB
---------------------------	------------------	--------------	--------------	----------------	-----------------



Product Specifications:
**8" Deck Mount Mixing Faucet w/ Ceramic Cartridges,
 equip 4" Wrist Action Handles, 10" equip Swing Nozzle
 & 1/2" NPT Supply Nipple Kit**

equip Foodservice Accessories
 2 Saddleback Cove, P.O. Box 1088
 Travelers Rest, South Carolina 29690
 Phone: 800.891.4808 Fax: 800.868.0084