



ADA Compliant

This Space for Architect/Engineer Approval

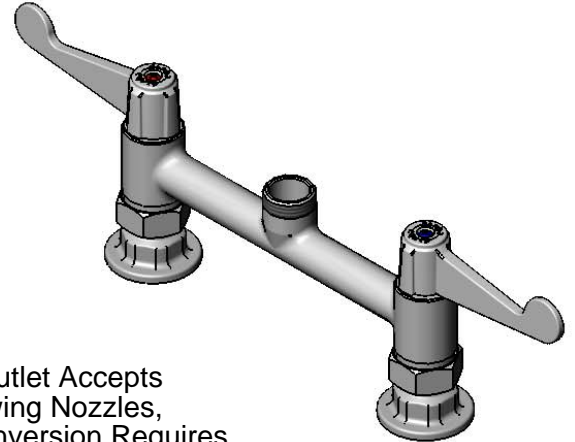
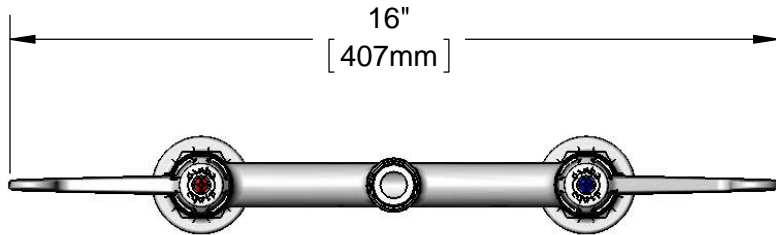
Job Name _____ Date _____

Model Specified _____ Quantity _____

Customer/Wholesaler _____

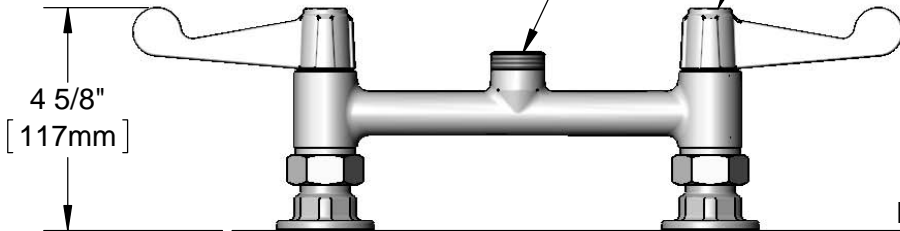
Contractor _____

Architect/Engineer _____



Swivel Outlet Accepts Equip Swing Nozzles, Rigid Conversion Requires 014200-45 Lock Washer (Sold Separately)

Ceramic Cartridges & equip 4" Wrist Action Handles w/ Color Coded Screws



Mounting Surface

8" [203mm]
Adjustable From 7 3/4" to 8 1/4" [197mm to 210mm]

00AA
Ø 2" [51mm]
Flanges w/ 1/2" NPT
Female Inlets



Rough-In Requirement:
(2) Ø 1" [25mm] Mounting Holes

Model Number 5F-8DWS00	Date 12/09/13	Scale 1:4	Drawn DHL	Checked DMH	Approved JHB
---------------------------	------------------	--------------	--------------	----------------	-----------------

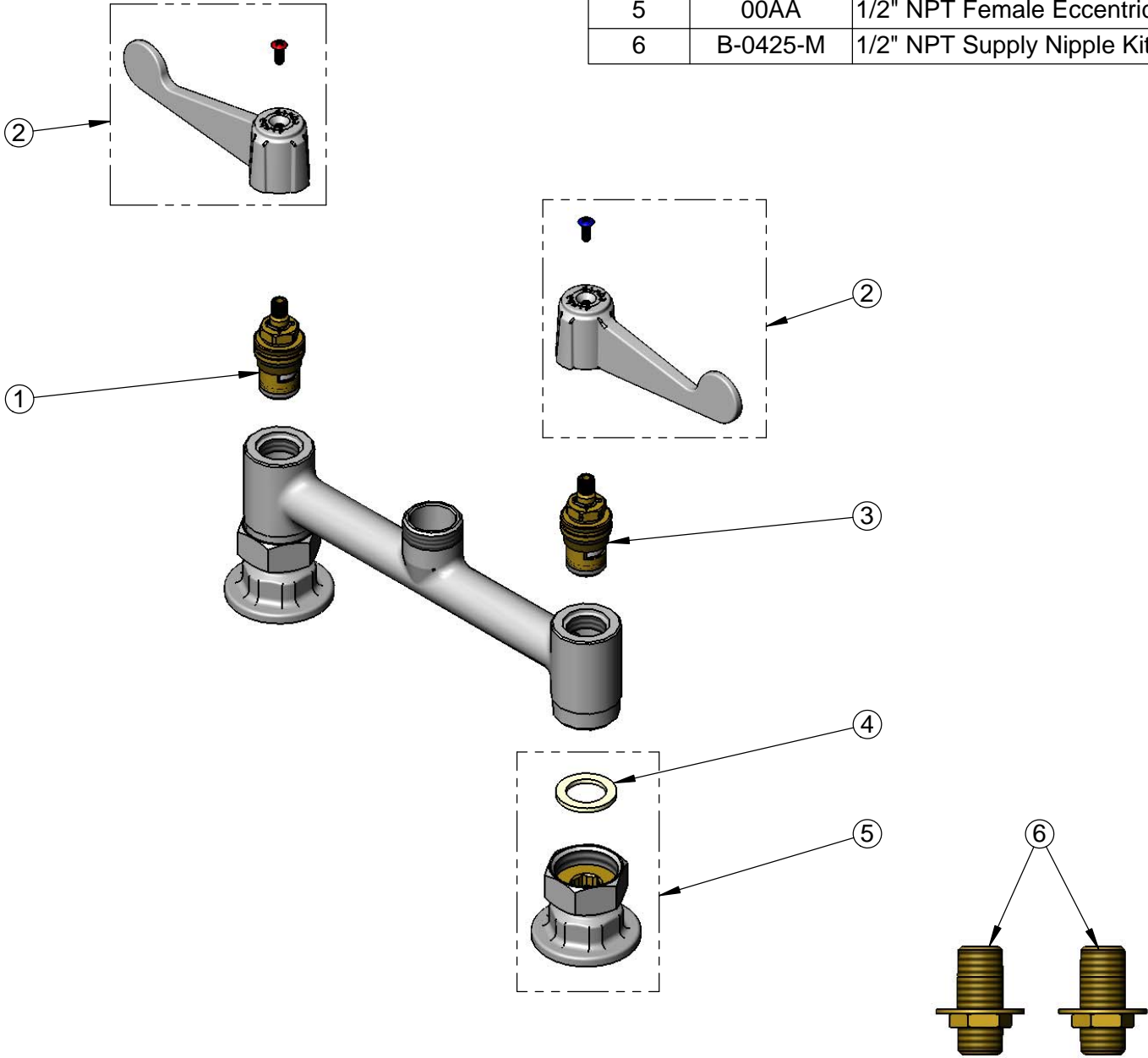
Product Specifications:

**8" Deck Mount Mixing Faucet Less Swivel Gooseneck
w/ equip 4" Wrist Action Handles & 1/2" NPT Supply Nipple Kits**



equip Foodservice Accessories
2 Saddleback Cove, P.O. Box 1088
Travelers Rest, South Carolina 29690
Phone: 800.891.4808 Fax: 800.868.0084

ITEM NO.	SALES NO.	DESCRIPTION
1	013787-45	Ceramic Cartridge, RTC
2	5-HDL-W	equip 4" Wrist Action Handle w/ Color Coded Screws
3	013788-45	Ceramic Cartridge, LTC
4	001019-45	Coupling Nut Washer
5	00AA	1/2" NPT Female Eccentric Flange
6	B-0425-M	1/2" NPT Supply Nipple Kit (2)



Model Number
5F-8DWS00

Date
12/09/13

Scale
NTS

Drawn
DHL

Checked
DMH

Approved
JHB



Product Specifications:

**8" Deck Mount Mixing Faucet Less Swivel Gooseneck
w/ equip 4" Wrist Action Handles & 1/2" NPT Supply Nipple Kits**

equip Foodservice Accessories
2 Saddleback Cove, P.O. Box 1088
Travelers Rest, South Carolina 29690
Phone: 800.891.4808 Fax: 800.868.0084