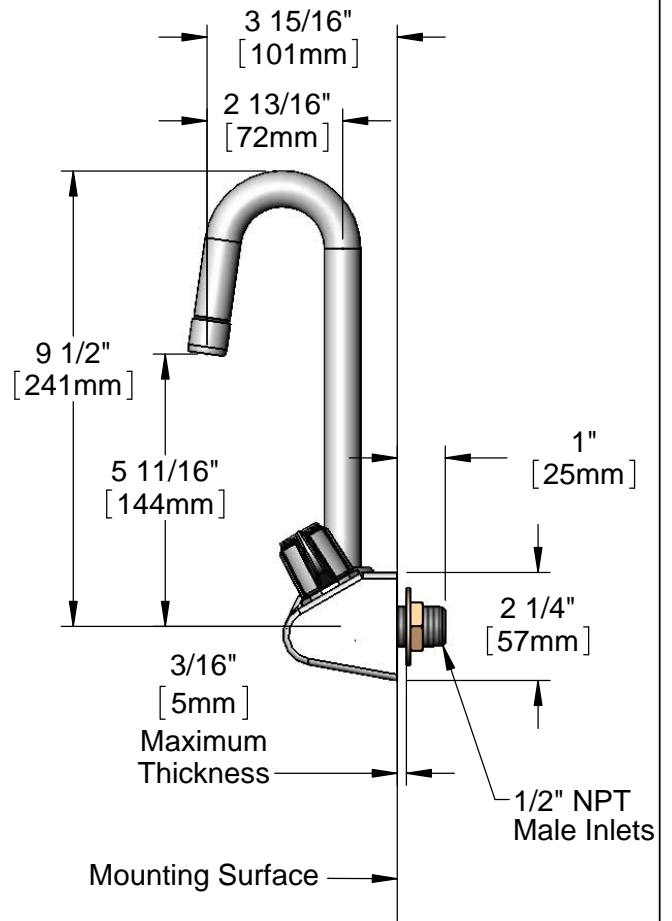
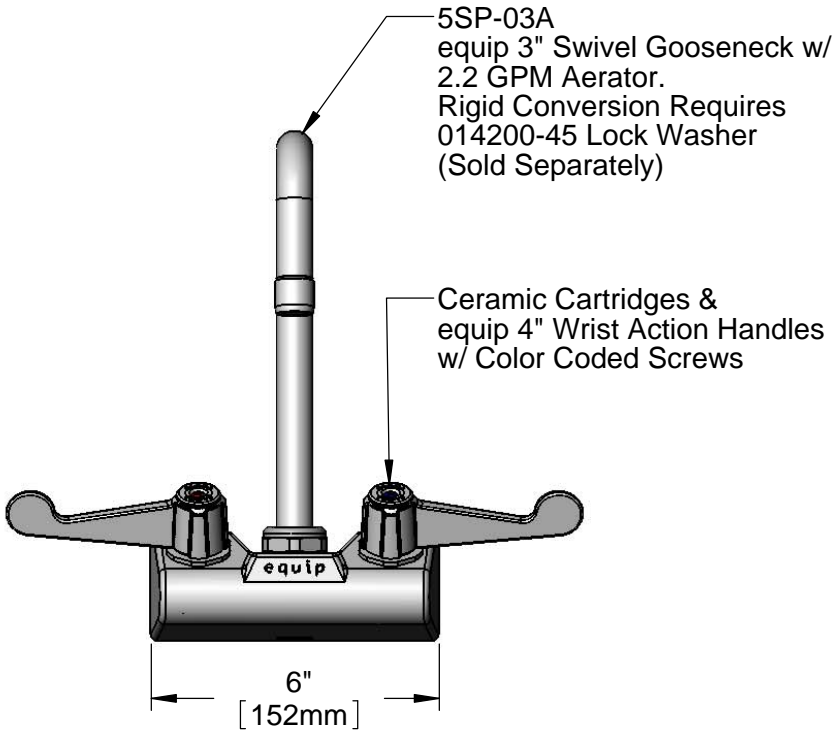
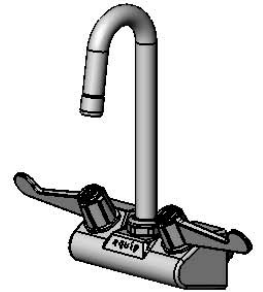
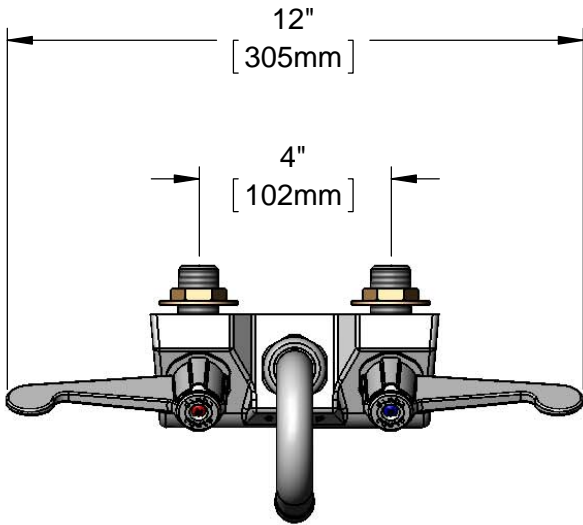


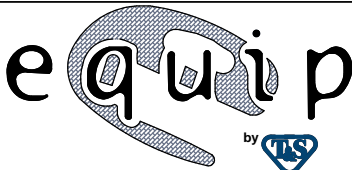


*This Space for Architect/Engineer Approval*

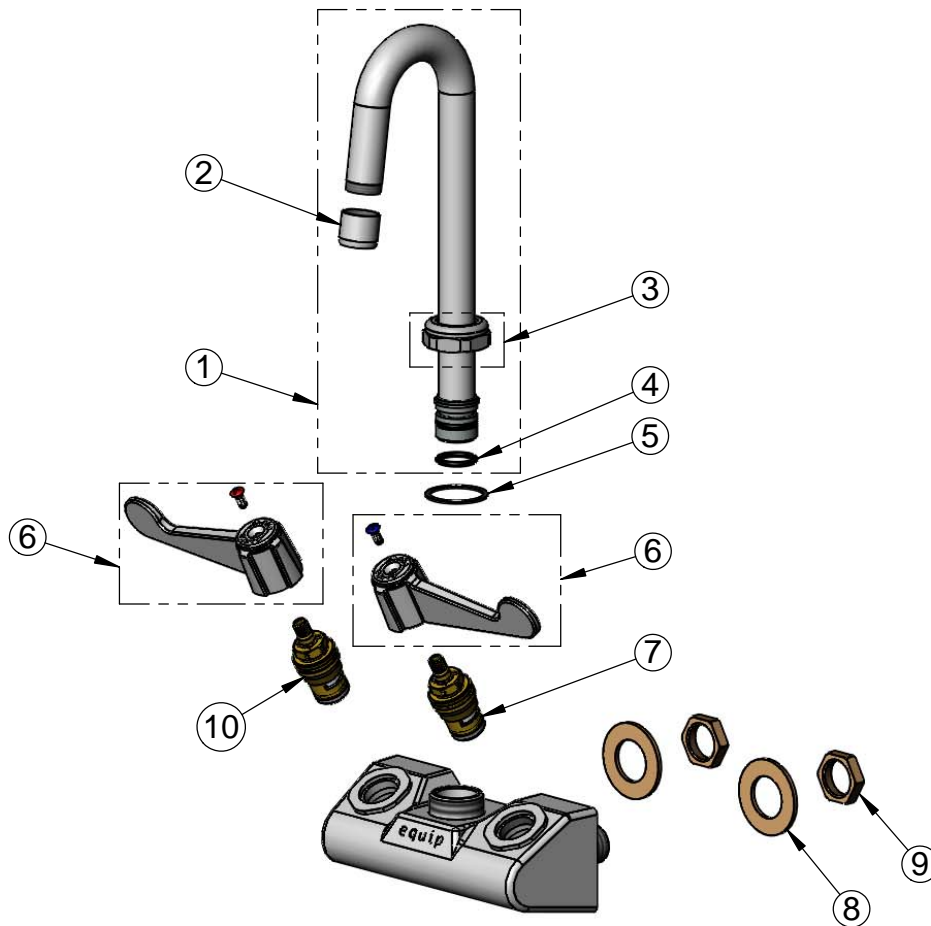
Job Name \_\_\_\_\_ Date \_\_\_\_\_  
 Model Specified \_\_\_\_\_ Quantity \_\_\_\_\_  
 Customer/Wholesaler \_\_\_\_\_  
 Contractor \_\_\_\_\_  
 Architect/Engineer \_\_\_\_\_



Rough-In Requirement:  
(2)  $\phi$  1" [25mm] Mounting Holes

<p>Model Number</p> <p><b>5F-4WWX03</b></p>	<p>Product Specifications:</p> <p>4" Wall Mount Mixing Faucet w/ Ceramic Cartridges, equip 4" Wrist Action Handles, 3" Swivel Gooseneck w/ 2.2 GPM Aerator &amp; 1/2" NPT Male Inlets</p>
<p>Product Compliance:</p> <p>ASME A112.18.1 / CSA B125.1          NSF 61 - Section 9          NSF 372 (Low Lead Content)          ANSI A117.1 (ADA)</p>	<p>equip Foodservice Accessories</p>  <p>2 Saddleback Cove, P.O. Box 1088          Travelers Rest, South Carolina 29690          Phone: 800.891.4808 Fax: 800.868.0084          equip.tsbrass.com</p>

ITEM NO.	SALES NO.	DESCRIPTION
1	5SP-03A	equip 3" Swivel Gooseneck w/ 2.2 GPM Aerator
2	013838-45	2.2 GPM Aerator, 3/4-27 UN Female
3	013839-25	equip Swivel Nut
4	013848-45	O-Ring
5	017587-45	Swivel Nut Seal
6	5-HDL-W	equip 4" Wrist Action Handle w/ Color Coded Screws
7	013788-45	equip Ceramic Cartridge, LTC
8	000999-45	Brass Lock Washer
9	002954-45	Shank Lock Nut
10	013787-45	equip Ceramic Cartridge, RTC



Model Number

**5F-4WWX03**

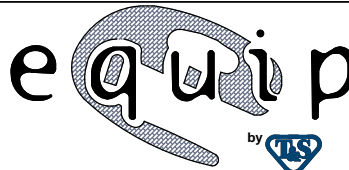
Product Specifications:

4" Wall Mount Mixing Faucet w/ Ceramic Cartridges,  
equip 4" Wrist Action Handles, 3" Swivel Gooseneck w/  
2.2 GPM Aerator & 1/2" NPT Male Inlets

Product Compliance:

ASME A112.18.1 / CSA B125.1  
NSF 61 - Section 9  
NSF 372 (Low Lead Content)  
ANSI A117.1 (ADA)

equip  
Foodservice  
Accessories



2 Saddleback Cove, P.O. Box 1088  
Travelers Rest, South Carolina 29690  
Phone: 800.891.4808 Fax: 800.868.0084  
equip.tsbrass.com