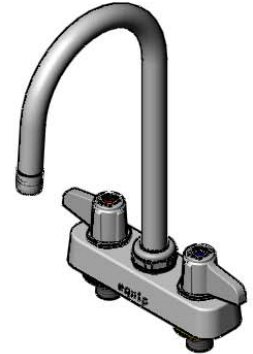
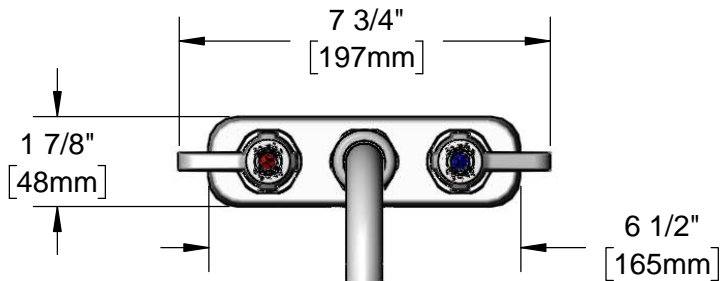


This Space for Architect/Engineer Approval

Job Name _____ Date _____
 Model Specified _____ Quantity _____
 Customer/Wholesaler _____
 Contractor _____
 Architect/Engineer _____



5SP-05
 equip 5 9/16" Swivel Gooseneck
 w/ Laminar Flow Device.
 Rigid Conversion Requires
 014200-45 Lock Washer
 (Sold Separately)

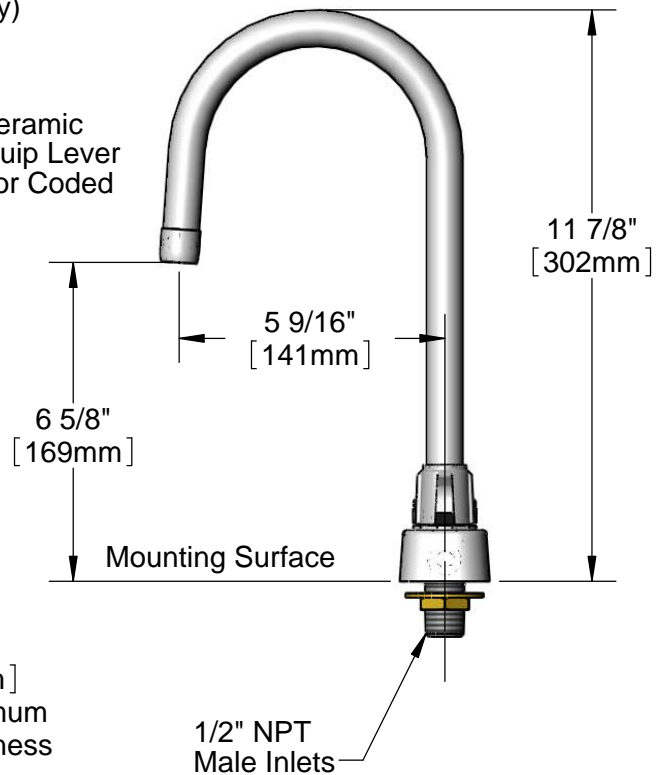
Quarter-Turn Ceramic
 Cartridges & equip Lever
 Handles w/ Color Coded
 Screws

1 1/16"
 [27mm]

1 1/8"
 [29mm]

4"
 [102mm]

1/4"
 [6mm]
 Maximum
 Thickness



Rough-in Requirement:
 (2) Ø 1" [25mm] Mounting Holes

Model Number

5F-4CLX05

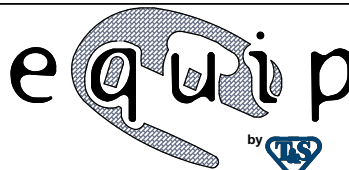
Product Specifications:

4" Deck Mount Workboard Mixing Faucet w/ Quarter-Turn Ceramic Cartridges, equip Lever Handles, equip 5 9/16" Swivel Gooseneck & 1/2" NPT Male Inlets

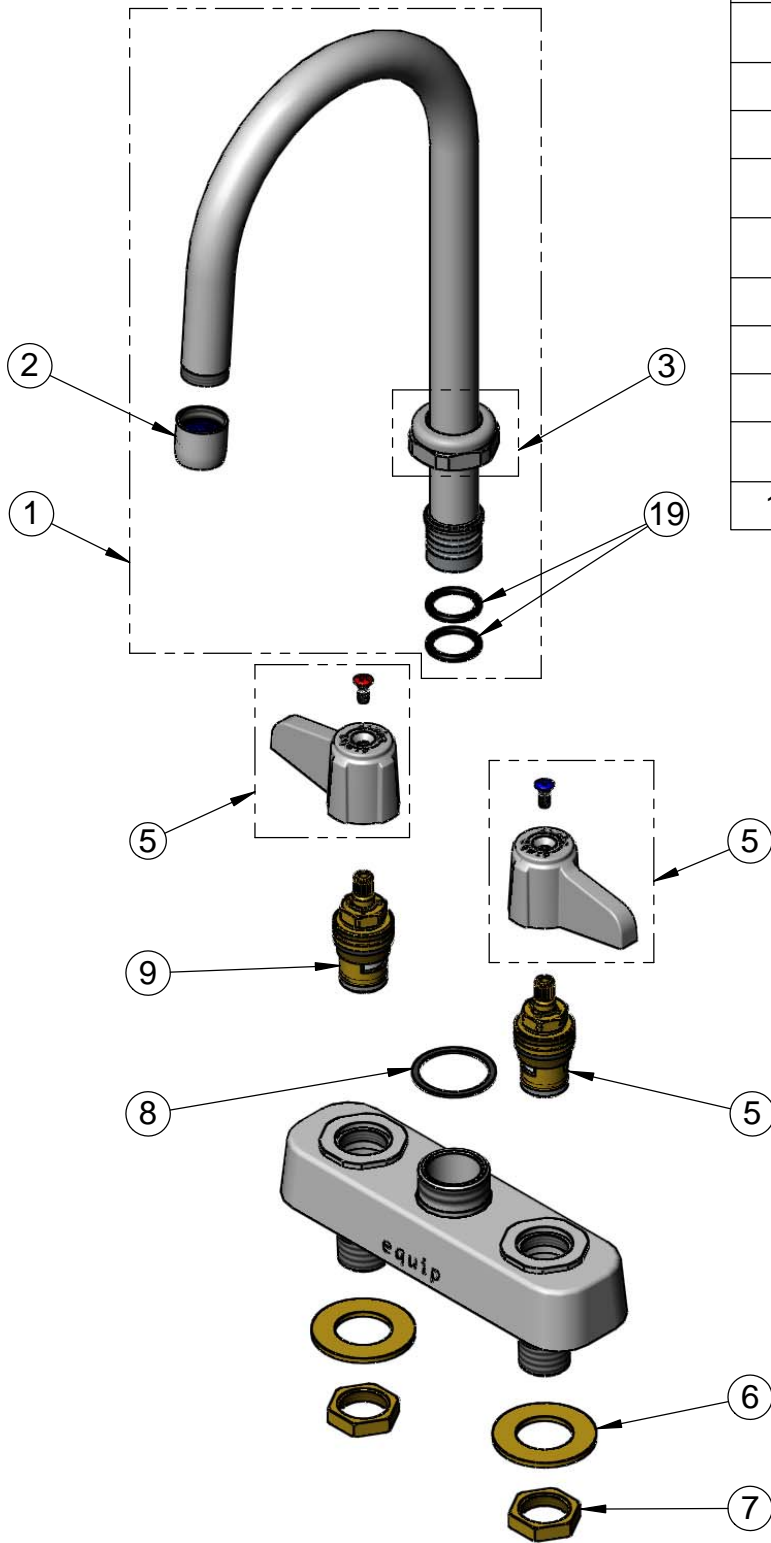
Product Compliance:

ASME A112.18.1 / CSA B125.1
 NSF 61 - Section 9
 NSF 372 (Low Lead Content)
 ANSI A117.1 (ADA)

equip
 Foodservice
 Accessories



2 Saddleback Cove, P.O. Box 1088
 Travelers Rest, South Carolina 29690
 Phone: 800.891.4808 Fax: 800.868.0084
 equip.tsbrass.com



ITEM NO.	SALES NO.	DESCRIPTION
1	5SP-05	equip 5 9/16" Swivel Gooseneck
2	014250-45	Laminar Flow Device
3	013839-25	equip Swivel Nut
4	5-HDL-L	equip Lever Handle w/ Color Coded Screws
5	013788-45	Equip Ceramic Cartridge, LTC
6	000999-45	Brass Lock Washer
7	002954-45	Shank Lock Nut
8	017587-45	Swivel Nut Seal
9	013787-45	Equip Ceramic Cartridge, RTC
19	013848-45	equip Swivel Piece O-Ring

Model Number
5F-4CLX05

Product Specifications:
4" Deck Mount Workboard Mixing Faucet w/ Quarter-Turn Ceramic Cartridges, equip Lever Handles, equip 5 9/16" Swivel Gooseneck & 1/2" NPT Male Inlets

Product Compliance:
ASME A112.18.1 / CSA B125.1
NSF 61 - Section 9
NSF 372 (Low Lead Content)
ANSI A117.1 (ADA)

equip
Foodservice
Accessories



2 Saddleback Cove, P.O. Box 1088
Travelers Rest, South Carolina 29690
Phone: 800.891.4808 Fax: 800.868.0084
equip.tsbrass.com