



ADA Compliant

This Space for Architect/Engineer Approval

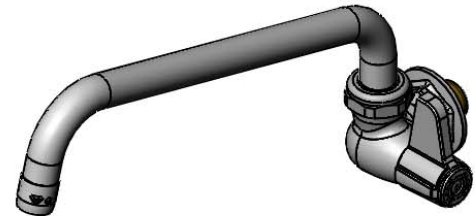
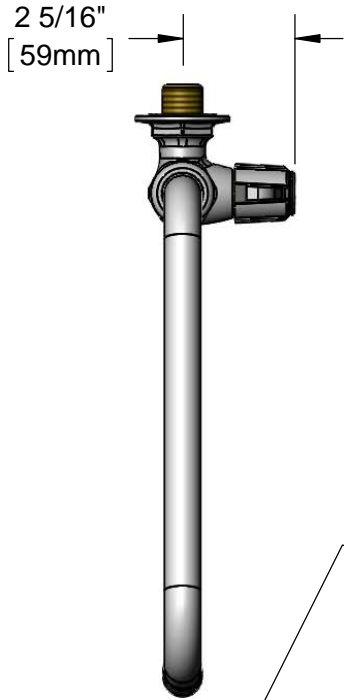
Job Name _____ Date _____

Model Specified _____ Quantity _____

Customer/Wholesaler _____

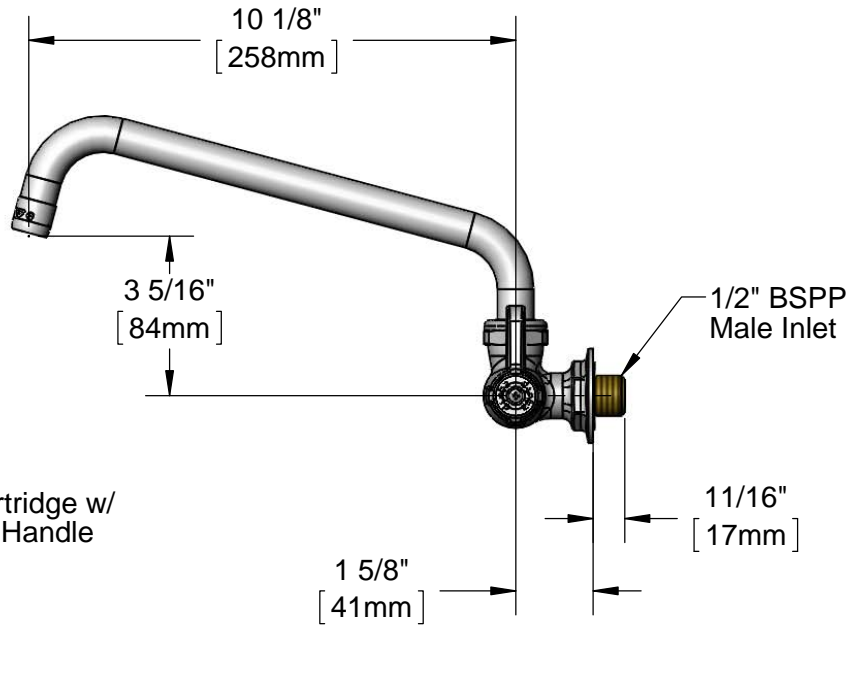
Contractor _____

Architect/Engineer _____



5SP-10
10" Swing Nozzle w/
Laminar Flow Device.
Rigid Conversion Requires
014200-45 Lock Washer
(Sold Separately)

Swivel Joint



1 7/8"
[48mm]

Ceramic Cartridge w/
equip Lever Handle

Ø 1 15/16"
[50mm]

1/2" BSPP
Male Inlet

11/16"
[17mm]

1 5/8"
[41mm]

10 1/8"
[258mm]

3 5/16"
[84mm]

Rough-In Requirement:
Ø 1" [25mm] Mounting Hole

Model Number

5F-1WLB10

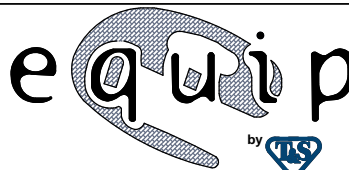
Product Specifications:

Single Supply Wall Mount Faucet, Ceramic Cartridge, Lever Handle,
10" Swing Nozzle w/ Laminar Flow Device & 1/2" BSPP Male Inlet

Product Compliance:

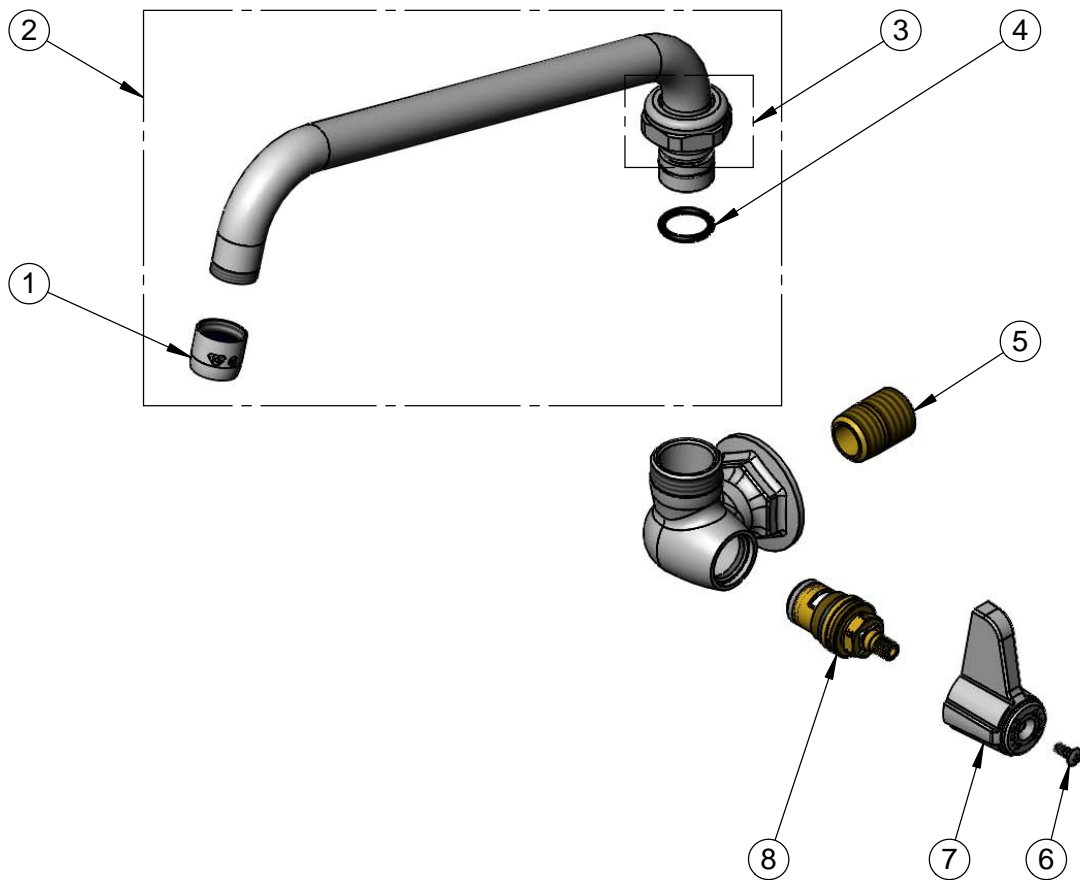
ASME A112.18.1 / CSA B125.1
NSF 61 - Section 9
NSF 372 (Low Lead Content)
ANSI A117.1 (ADA)

equip
Foodservice
Accessories



2 Saddleback Cove, P.O. Box 1088
Travelers Rest, South Carolina 29690
Phone: 800.891.4808 Fax: 800.868.0084
equip.tsbrass.com

ITEM NO.	SALES NO.	DESCRIPTION
1	014250-45	Laminar Full Flow Outlet Device
2	5SP-10	10" Swing Nozzle w/ Laminar Flow Device
3	013839-25	equip Swivel Nut
4	013848-45	O-Ring, Size -115
5	019047-45	Supply Nipple, 1/2" NPT x 1/2" BSPP
6	013849-45	Handle Screw (10)
7	5-HDL-L	equip Lever Handle w/ Color Coded Screws
8	013787-45	equip Ceramic Cartridge, RTC



Model Number

5F-1WLB10

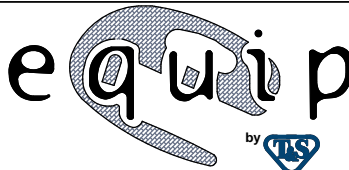
Product Specifications:

Single Supply Wall Mount Faucet, Ceramic Cartridge, Lever Handle, 10" Swing Nozzle w/ Laminar Flow Device & 1/2" BSPP Male Inlet

Product Compliance:

ASME A112.18.1 / CSA B125.1
NSF 61 - Section 9
NSF 372 (Low Lead Content)
ANSI A117.1 (ADA)

equip
Foodservice
Accessories



2 Saddleback Cove, P.O. Box 1088
Travelers Rest, South Carolina 29690
Phone: 800.891.4808 Fax: 800.868.0084
equip.tsbrass.com