

This Space for Architect/Engineer Approval

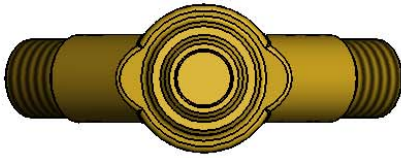
Job Name _____ Date _____

Model Specified _____ Quantity _____

Customer/Wholesaler _____

Contractor _____

Architect/Engineer _____

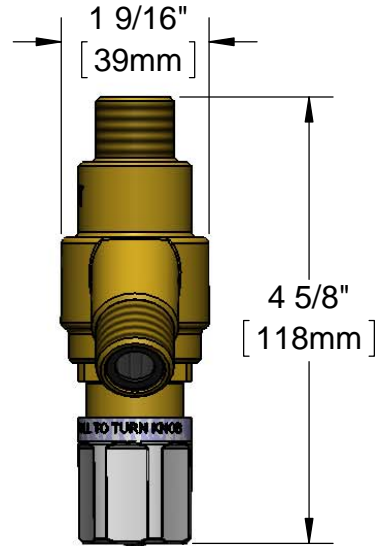


Mixed Water
to Fixture



1/2" NPSM Male
(3 Places)

Integral Check Valves
Built into Hot and Cold Inlets
Check Valve Filter Screens
(Included)



Hot Inlet

Cold Inlet

Locking Adjustment Knob Prevents
Water from Exceeding Customer's
Maximum Temperature Set Point.
Valve is Factory Pre-set to Deliver
Mixed Water Temperature of
Approximately 100°F (38°C) Max.

Note: This Valve is Tested and Certified
to ASSE 1070

Model Number

5EF-TMV

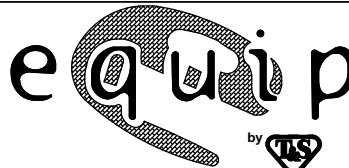
Product Specifications:

Thermostatic Mixing Valve with 1/2" NPSM Male Fittings

Product Compliance:

ASME A112.18.1 / CSA B125.1
NSF 61 - Section 9
NSF 372 (Low Lead Content)
ASSE 1070

equip
Foodservice
Accessories



2 Saddleback Cove, P.O. Box 1088
Travelers Rest, South Carolina 29690
Phone: 800.891.4808 Fax: 800.868.0084
equip.tsbrass.com