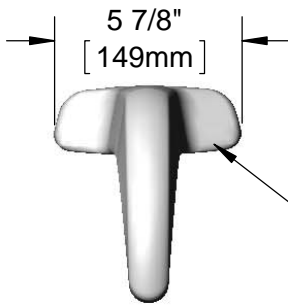
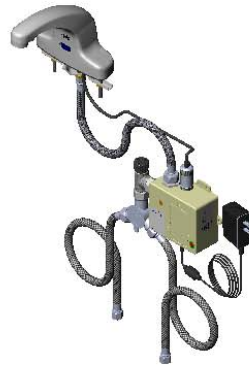




ADA Compliant



Polished Chrome Plated Cast Spout w/ B-0199-09-N05 VR 0.5 GPM [1.9LPM] Non-Aerated Spray Device w/ Key



This Space for Architect/Engineer Approval

Job Name \_\_\_\_\_ Date \_\_\_\_\_

Model Specified \_\_\_\_\_ Quantity \_\_\_\_\_

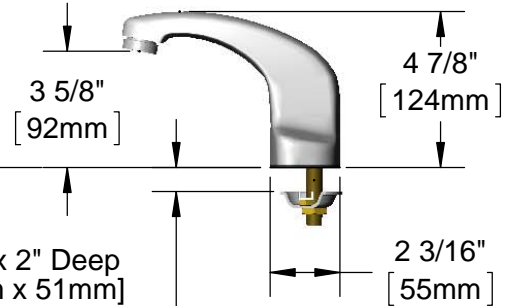
Customer/Wholesaler \_\_\_\_\_

Contractor \_\_\_\_\_

Architect/Engineer \_\_\_\_\_



24" [610mm] Sensor Cable  
1/2" NPSM x 1/4" NPSM x 18" [457mm] Flexible Stainless Steel Hose  
Mounting Surface



3/4" [19mm] Maximum Thickness

4" [102mm]

3 5/8" x 4 3/16" x 2" Deep [92mm x 106mm x 51mm] Water Resistant Control Module Box (White), AC or DC Operated w/ (4) AA Batteries

Removable Strainer

100-240 VAC Adapter w/ 71" [1800mm] Power Cord. (Remove Rubber Plugs in Module to Connect)

(2) 3/8" Compression x 1/2" NPSM 18" [457mm] Flexible Stainless Steel Supply Hoses

Mechanical Mixing Valve w/ Check Valves

**Rough-In Requirement:**

- (1)  $\varnothing$  1" [25mm] Center Shank Mounting Hole
- (2)  $\varnothing$  1/2" [13mm] Mounting Stud Holes on 4" [102mm] Centers

Model Number  
**5EF-2D-DS-VF05**

Product Specifications:  
Electronic Faucet: Cast Brass Centerset Faucet w/ 4" Mounting Studs, VR 0.5 GPM Non-Aerated Spray Device, Temperature Control Mixing Valve w/ Check Valves, (2) 18" Flexible Supply Hoses & AC-DC Control Module

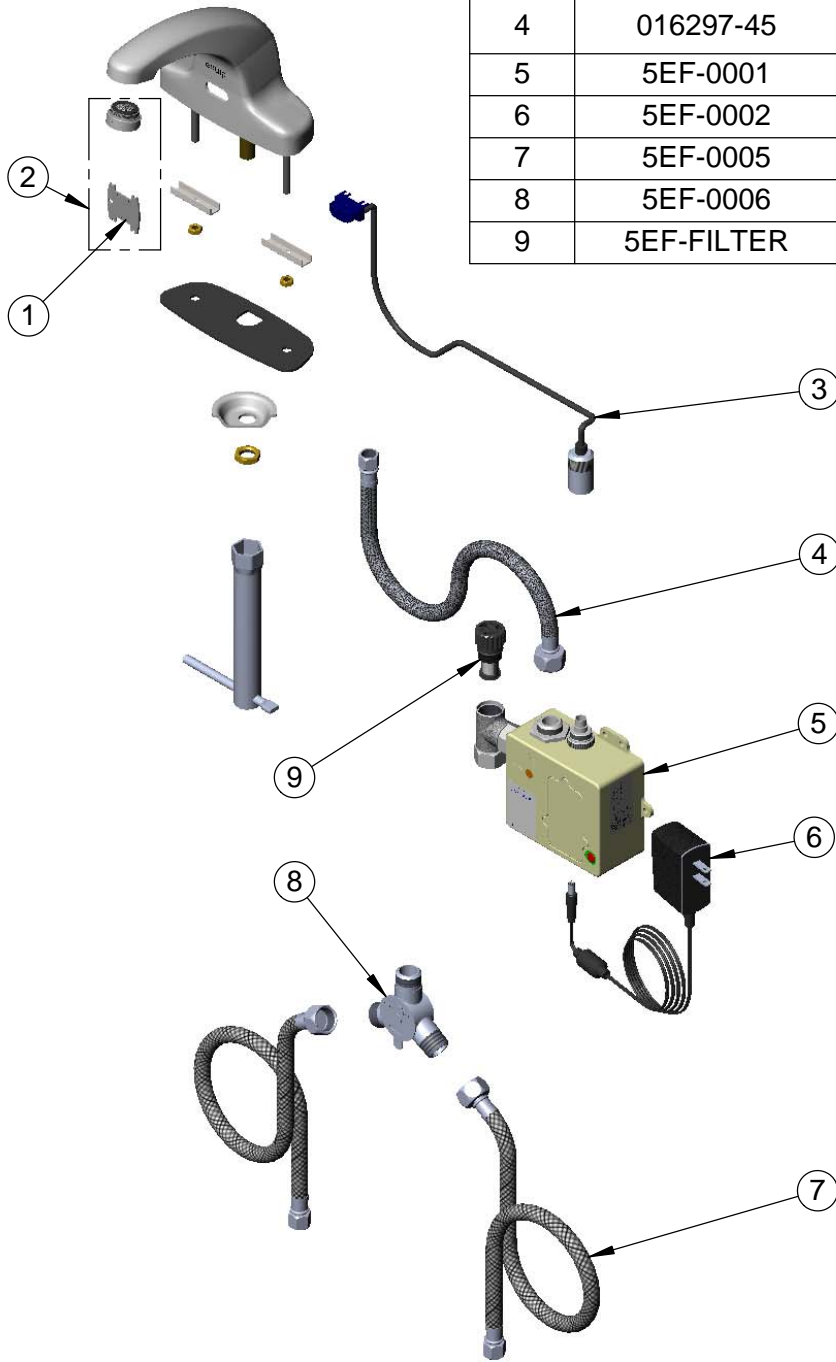
Product Compliance:  
ASME A112.18.1 / CSA B125.1  
NSF 61 - Section 9  
NSF 372 (Low Lead Content)  
ANSI A117.1 (ADA)  
UL 1951

equip Foodservice Accessories



2 Saddleback Cove, P.O. Box 1088  
Travelers Rest, South Carolina 29690  
Phone: 800.891.4808 Fax: 800.868.0084  
equip.tsbrass.com

ITEM NO.	SALES NO.	DESCRIPTION
1	015425-45	Vandal Resistant Key
2	B-0199-09-N05	VR 0.5 GPM Non-Aerated Spray Device, 15/16-27 UN Male w/ Key
3	5EF-0003	24" Sensor Cable
4	016297-45	Inlet Hose, Faucet, 1/2" NPSM Female x 1/4" NPSM Female
5	5EF-0001	equip Sensor Faucet Control Module
6	5EF-0002	Equip AC Transformer, 100-240 VAC
7	5EF-0005	Supply Hose, 9/16-24 Female x 1/2" NPSM
8	5EF-0006	Mechanical Mixing Valve
9	5EF-FILTER	Replacement Filter



Model Number

**5EF-2D-DS-VF05**

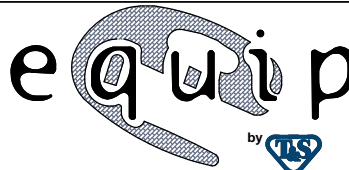
Product Specifications:

Electronic Faucet: Cast Brass Centerset Faucet w/ 4" Mounting Studs, VR 0.5 GPM Non-Aerated Spray Device, Temperature Control Mixing Valve w/ Check Valves, (2) 18" Flexible Supply Hoses & AC-DC Control Module

Product Compliance:

ASME A112.18.1 / CSA B125.1  
NSF 61 - Section 9  
NSF 372 (Low Lead Content)  
ANSI A117.1 (ADA)  
UL 1951

equip  
Foodservice  
Accessories



2 Saddleback Cove, P.O. Box 1088  
Travelers Rest, South Carolina 29690  
Phone: 800.891.4808 Fax: 800.868.0084  
equip.tsbrass.com