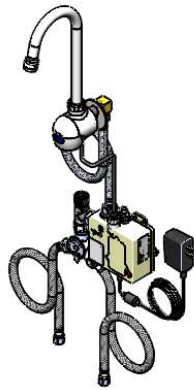
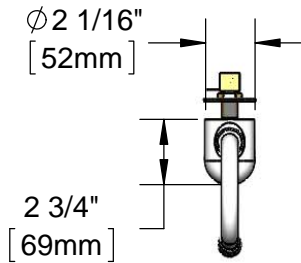


*This Space for Architect/Engineer Approval*

Job Name \_\_\_\_\_ Date \_\_\_\_\_  
 Model Specified \_\_\_\_\_ Quantity \_\_\_\_\_  
 Customer/Wholesaler \_\_\_\_\_  
 Contractor \_\_\_\_\_  
 Architect/Engineer \_\_\_\_\_



**ADA Compliant**

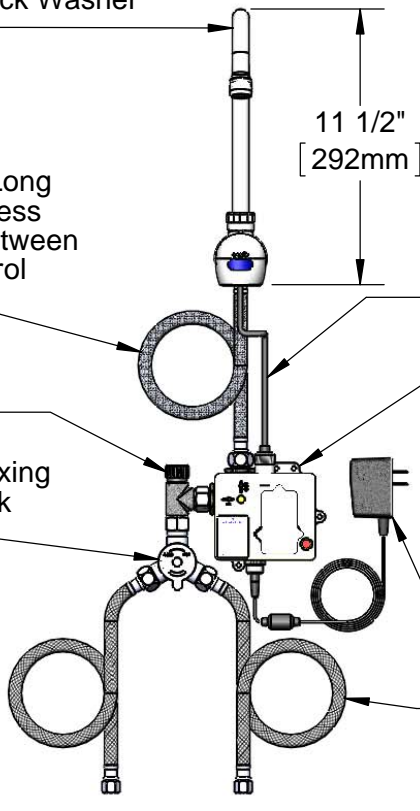


Swivel Gooseneck w/  
 2.2 GPM [8.3 LPM] Aerator.  
 Rigid Conversion Requires  
 017421-45 Lock Washer  
 (Included)

30" [762mm] Long  
 Flexible Stainless  
 Steel Hose Between  
 Shank & Control  
 Module

Removable  
 Strainer

Mechanical Mixing  
 Valve w/ Check  
 Valves

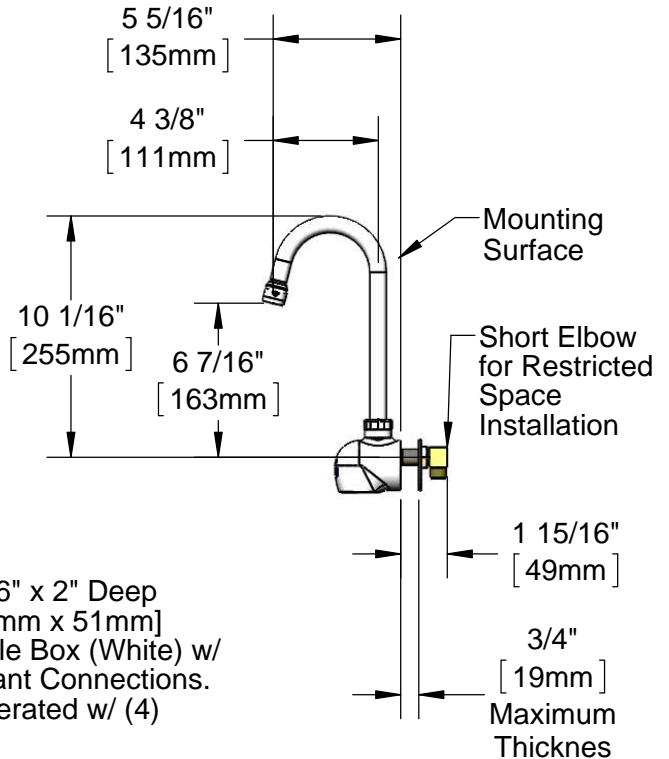


24" [610mm]  
 Sensor Cable

3 5/8" x 4 3/16" x 2" Deep  
 [92mm x 106mm x 51mm]  
 Control Module Box (White) w/  
 Water Resistant Connections.  
 AC or DC Operated w/ (4)  
 AA Batteries

100-240 VAC Adapter  
 w/ 7'1" [1800mm] Power  
 Cord

(2) 18" [457mm] Flexible  
 Stainless Steel Supply Hoses.  
 1/2" NPSM Female x 3/8"  
 Compression Female



Mounting  
 Surface

Short Elbow  
 for Restricted  
 Space  
 Installation

1 15/16"  
 [49mm]

3/4"  
 [19mm]  
 Maximum  
 Thickness

Rough-In Requirement:  
 $\phi$  1 1/8" [29mm] Mounting Hole

Model Number

**5EF-1D-WGMM**

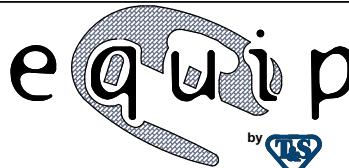
Product Specifications:

Electronic Faucet: Wall Mount Swivel Gooseneck, 2.2 GPM Aerator,  
 AC-DC Control Module, Temperature Control Mixing Valve,  
 Check Valves & (2) 18" Flexible Supply Hoses

Product Compliance:

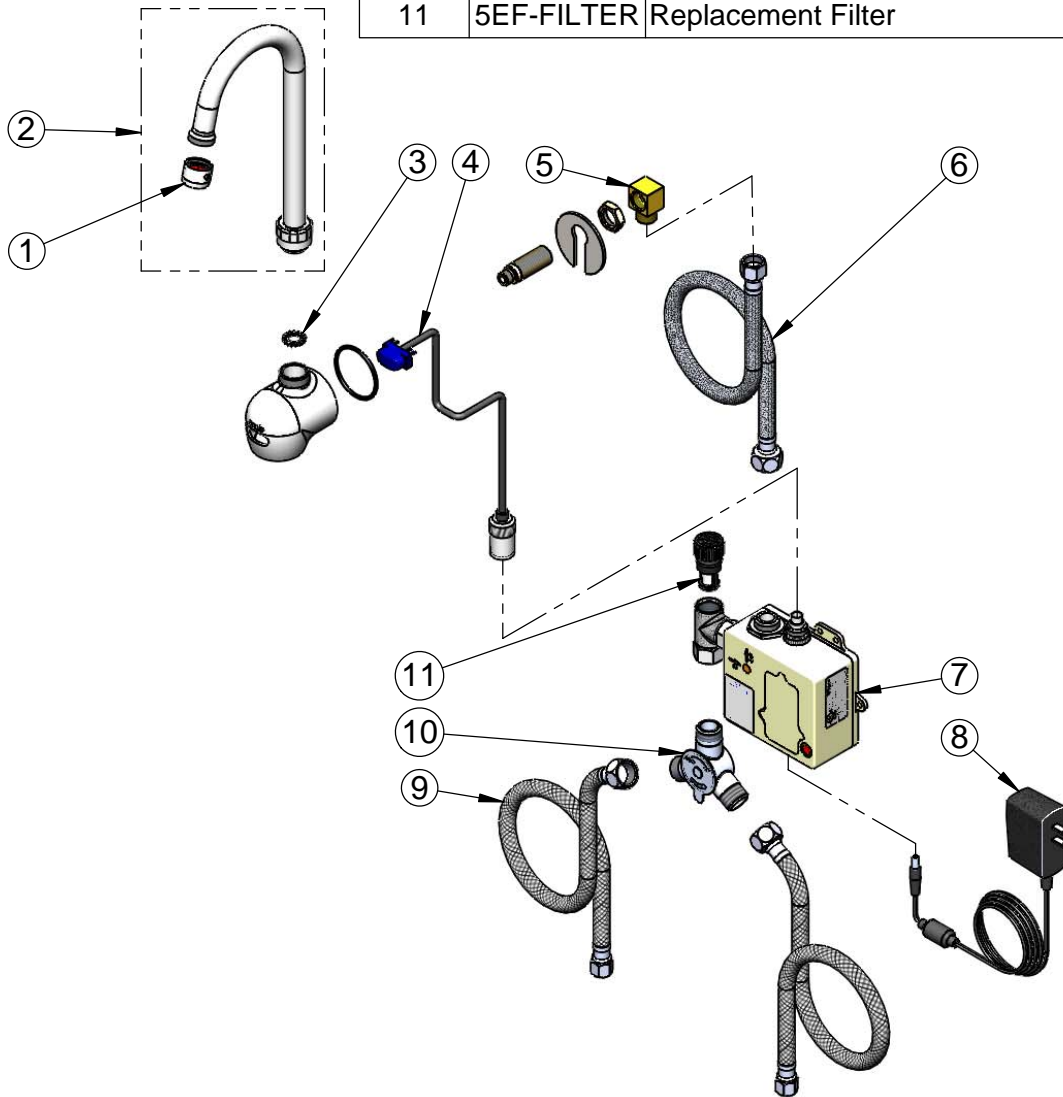
ASME A112.18.1 / CSA B125.1  
 NSF 61 - Section 9  
 NSF 372 (Low Lead Content)  
 ANSI A117.1 (ADA)  
 UL 1951

equip  
 Foodservice  
 Accessories



2 Saddleback Cove, P.O. Box 1088  
 Travelers Rest, South Carolina 29690  
 Phone: 800.891.4808 Fax: 800.868.0084  
 equip.tsbrass.com

ITEM NO.	SALES NO.	DESCRIPTION
1	B-0199-01	2.2 GPM Aerator, 55/64-27 UN Female
2	015859-40	Swivel Gooseneck w/ 2.2 GPM Aerator (5EF-1D-WGMM)
3	017421-45	Serrated Lock Washer
4	5EF-0003	24" Sensor Cable
5	015345-20	3/8-18 NPSM Low Profile Elbow
6	016325-45	Inlet Hose, Faucet, 1/2" NPSM-F x 3/8" NPSM-F
7	5EF-0001	equip Sensor Faucet - Control Module
8	5EF-0002	equip AC Transformer, 100-240 VAC
9	5EF-0005	Supply Hose, 3/8" Compression x 1/2" NPSM
10	5EF-0006	Mechanical Mixing Valve
11	5EF-FILTER	Replacement Filter



Model Number

**5EF-1D-WGMM**

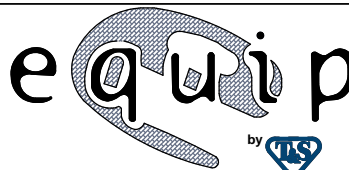
Product Specifications:

Electronic Faucet: Wall Mount Swivel Gooseneck, 2.2 GPM Aerator, AC-DC Control Module, Temperature Control Mixing Valve, Check Valves & (2) 18" Flexible Supply Hoses

Product Compliance:

ASME A112.18.1 / CSA B125.1  
NSF 61 - Section 9  
NSF 372 (Low Lead Content)  
ANSI A117.1 (ADA)  
UL 1951

equip  
Foodservice  
Accessories



2 Saddleback Cove, P.O. Box 1088  
Travelers Rest, South Carolina 29690  
Phone: 800.891.4808 Fax: 800.868.0084  
equip.tsbrass.com