



ADA Compliant

This Space for Architect/Engineer Approval

Job Name _____ Date _____

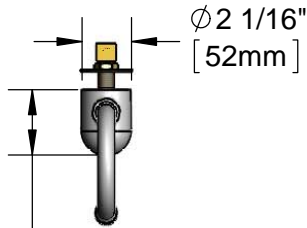
Model Specified _____ Quantity _____

Customer/Wholesaler _____

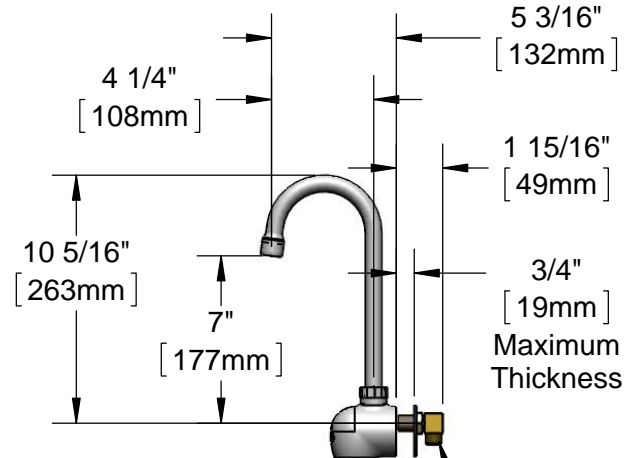
Contractor _____

Architect/Engineer _____

2 3/4"
[69mm]



015859-40
Swivel Gooseneck
w/ 2.2 GPM [8.3LPM]
Aerator



30" [762mm] Flexible
Stainless Steel Hose
Between Shank &
Control Module

11 3/4"
[299mm]

24" [610mm]
Sensor Cable

Removable Strainer

Hydro-Generator
Power Supply
(No Batteries
Needed to Supply
Power to Faucet)

3 5/8" x 4 3/16" x 2" Deep
[92mm x 106mm x 51mm]
Control Module Box (White)
w/ Water Resistant Connections.
AC or DC Operated w/(4) AA Batteries

Short EL for
Restricted
Space
Installations

(2) 18" [457mm]
Flexible Stainless
Steel Supply Hoses.
1/2" NPSM Female
x 3/8" Compression
Female



100-240 Vac Adapter
w/ 71" [1800mm]
Power Cord
(Included)

Rough-In Requirement:
Ø 1 1/8" [29mm] Mounting Hole

Model Number

5EF-1D-WGMM-HG

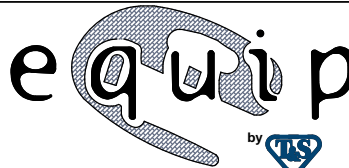
Product Specifications:

Electronic Faucet: Wall Mount Swivel Gooseneck w/ 2.2 GPM Aerator, AC-DC Control Module, Hydro-Generator, Temperature Control Mixing Valve w/ Check Valves & 18" Long Flexible Supply Stop Hoses

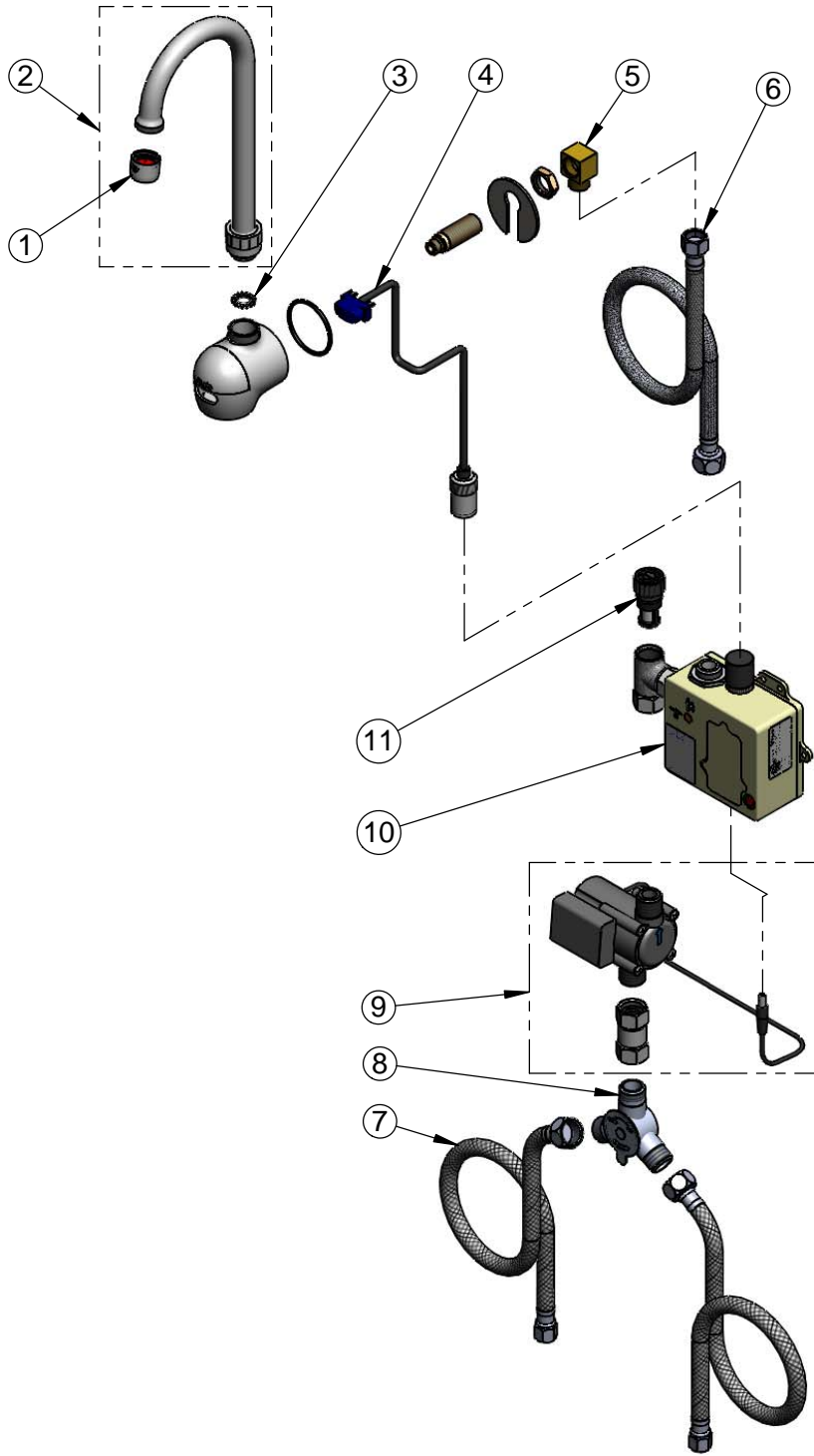
Product Compliance:

ASME A112.18.1 / CSA B125.1
NSF 61 - Section 9
NSF 372 (Low Lead Content)
ANSI A117.1 (ADA)
UL 1951

equip
Foodservice
Accessories



2 Saddleback Cove, P.O. Box 1088
Travelers Rest, South Carolina 29690
Phone: 800.891.4808 Fax: 800.868.0084
equip.tsbrass.com



| ITEM NO. | SALES NO. | DESCRIPTION |
|----------|-------------|---|
| 1 | B-0199-01 | 2.2 GPM Aerator, 55/64"-27 UN Female |
| 2 | 015859-40 | Swivel Gooseneck 2.2 GPM Aerator |
| 3 | 017421-45 | Serrsted Lock Washer |
| 4 | 5EF-0003 | 24" Sensor Cable |
| 5 | 015345-20 | 3/8-18 Low Profile Elbow |
| 6 | 016325-45 | Inlet Hose, Faucet, 1/2" NPSM-F x 3/8" NPSM-F |
| 7 | 5EF-0005 | Supply Hose, 9/16-24 Female x 1/2" NPSM |
| 8 | 5EF-0006 | Mechanical Mixing Valve |
| 9 | EC-HYDROGEN | HydroGenerator Power Supply |
| 10 | 5EF-0001 | equip Sensor Faucet - Control Module |
| 11 | 5EF-FILTER | Replacement Filter |



Model Number
5EF-1D-WGMM-HG

Product Compliance:
ASME A112.18.1 / CSA B125.1
NSF 61 - Section 9
NSF 372 (Low Lead Content)
ANSI A117.1 (ADA)
UL 1951

Product Specifications:
Electronic Faucet: Wall Mount Swivel Gooseneck w/ 2.2 GPM Aerator, AC-DC Control Module, Hydro-Generator, Temperature Control Mixing Valve w/ Check Valves & 18" Long Flexible Supply Stop Hoses

equip
Foodservice
Accessories

2 Saddleback Cove, P.O. Box 1088
Travelers Rest, South Carolina 29690
Phone: 800.891.4808 Fax: 800.868.0084
equip.tsbrass.com