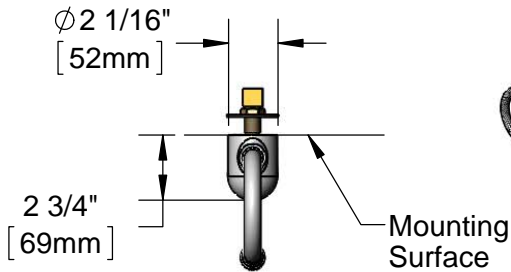


This Space for Architect/Engineer Approval

Job Name _____ Date _____
 Model Specified _____ Quantity _____
 Customer/Wholesaler _____
 Contractor _____
 Architect/Engineer _____



ADA Compliant

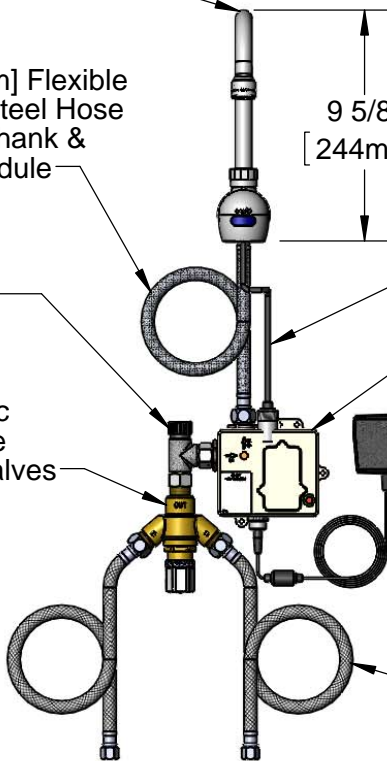


016739-40
 Swivel Gooseneck w/
 2.2 GPM [8.3 LPM]
 Vandal Resistant Aerator.
 Rigid Conversion Requires
 017421-45 Lock Washer
 (Included)

30" [762mm] Flexible
 Stainless Steel Hose
 Between Shank &
 Control Module

Removable
 Strainer

5EF-TMV
 ASSE 1070
 Thermostatic
 Mixing Valve
 w/ Check Valves

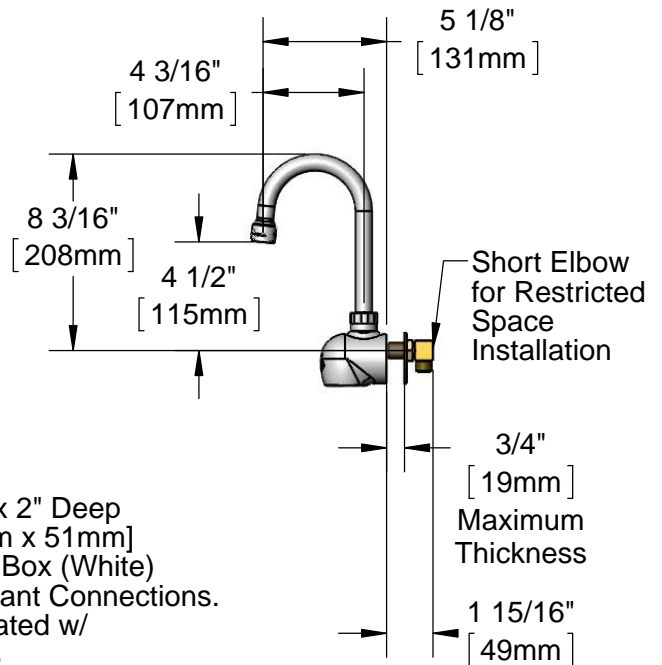


24" [610mm]
 Sensor Cable

3 5/8" x 4 3/16" x 2" Deep
 [92mm x 106mm x 51mm]
 Control Module Box (White)
 w/ Water Resistant Connections.
 AC or DC Operated w/
 (4) AA Batteries

100-240 VAC Adapter
 w/ 7'1" [1800mm] Power
 Cord

(2) 18" [457mm]
 Flexible Stainless
 Steel Supply Hoses.
 1/2" NPSM Female
 x 3/8" Compression
 Female



Rough-In Requirement:
 ϕ 1 1/8" [29mm] Mounting Hole

Model Number

5EF-1D-WGAT-TMV

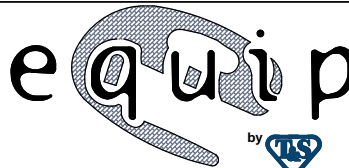
Product Specifications:

Electronic Faucet: Wall Mount Swivel Gooseneck, 2.2 GPM VR Aerator, AC-DC Control Module, Thermostatic Mixing Valve w/ Check Valves & (2) 18" Flexible Supply Hoses

Product Compliance:

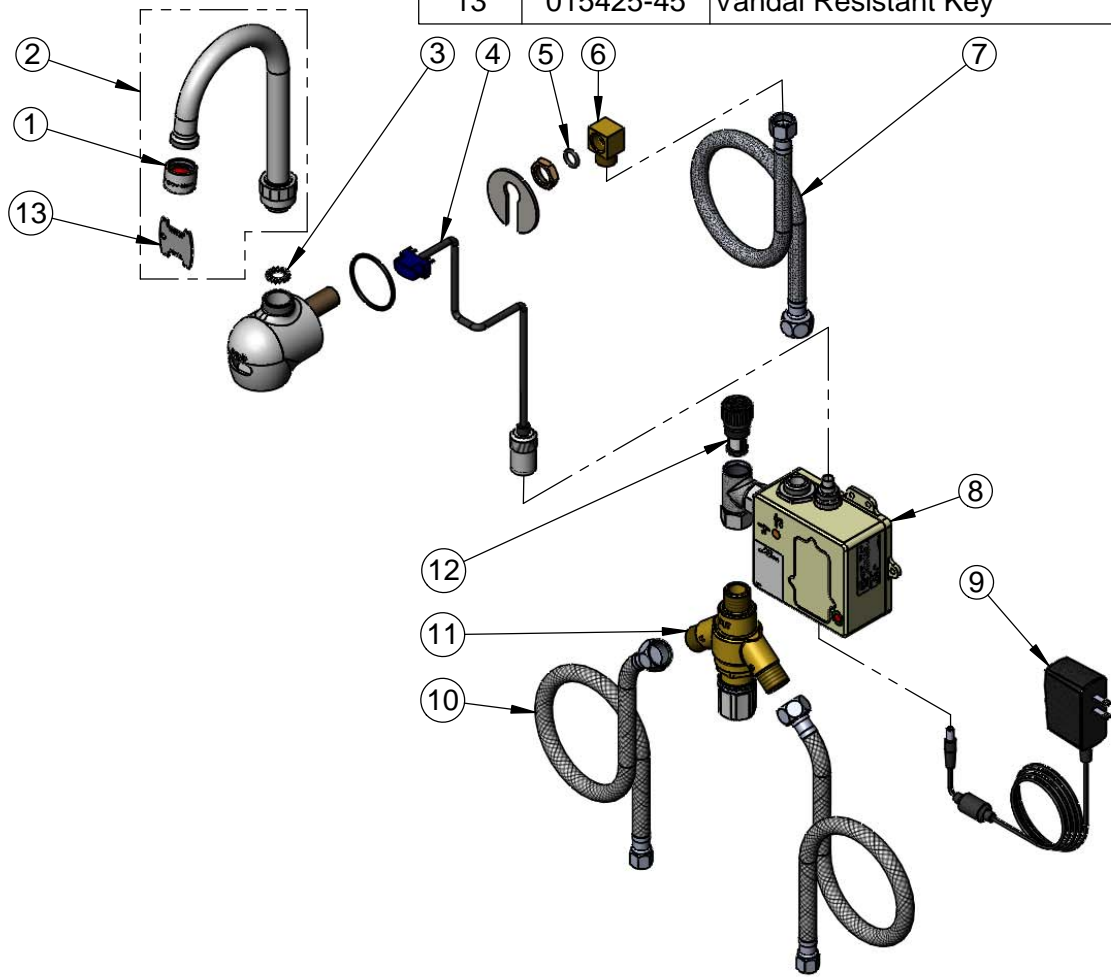
ASME A112.18.1 / CSA B125.1
 NSF 61 - Section 9
 NSF 372 (Low Lead Content)
 ANSI A117.1 (ADA)
 UL 1951
 ASSE 1070 (TMV)

equip
 Foodservice
 Accessories



2 Saddleback Cove, P.O. Box 1088
 Travelers Rest, South Carolina 29690
 Phone: 800.891.4808 Fax: 800.868.0084
 equip.tsbrass.com

ITEM NO.	SALES NO.	DESCRIPTION
1	B-0199-06	VR 2.2 GPM Aerator, 55/64-27 UN Female w/ Key
2	016739-40	Swivel Gooseneck w/ 2.2 GPM Vandal Resistant Aerator (5EF-1D-WGAT)
3	017421-45	Serrated Lock Washer
4	5EF-0003	24" Sensor Cable
5	001075-45	O-Ring
6	015345-20	3/8-18 NPSM Low Profile Elbow
7	016325-45	Inlet Hose, Faucet, 1/2" NPSM-F x 3/8" NPSM-F
8	5EF-0001	equip Sensor Faucet - Control Module
9	5EF-0002	equip AC Transformer, 100-240 VAC
10	5EF-0005	Supply Hose, 9/16-24 Female x 1/2" NPSM
11	5EF-TMV	ASSE 1070 Thermostatic Mixing Valve
12	5EF-FILTER	Replacement Filter
13	015425-45	Vandal Resistant Key



Model Number
5EF-1D-WGAT-TMV

Product Specifications:
Electronic Faucet: Wall Mount Swivel Gooseneck, 2.2 GPM VR Aerator, AC-DC Control Module, Thermostatic Mixing Valve w/ Check Valves & (2) 18" Flexible Supply Hoses

Product Compliance:
ASME A112.18.1 / CSA B125.1
NSF 61 - Section 9
NSF 372 (Low Lead Content)
ANSI A117.1 (ADA)
UL 1951
ASSE 1070 (TMV)

equip
Foodservice
Accessories



2 Saddleback Cove, P.O. Box 1088
Travelers Rest, South Carolina 29690
Phone: 800.891.4808 Fax: 800.868.0084
equip.tsbrass.com