



ADA Compliant

*This Space for Architect/Engineer Approval*

Job Name \_\_\_\_\_ Date \_\_\_\_\_

Model Specified \_\_\_\_\_ Quantity \_\_\_\_\_

Customer/Wholesaler \_\_\_\_\_

Contractor \_\_\_\_\_

Architect/Engineer \_\_\_\_\_

Mounting Surface

016739-40 Swivel Gooseneck w/ 2.2 GPM [8.3 LPM] Aerator. Rigid Conversion Requires 017421-45 Lock Washer (Included)

30" [762mm] Flexible Stainless Steel Hose Between Shank & Control Module

Removable Strainer

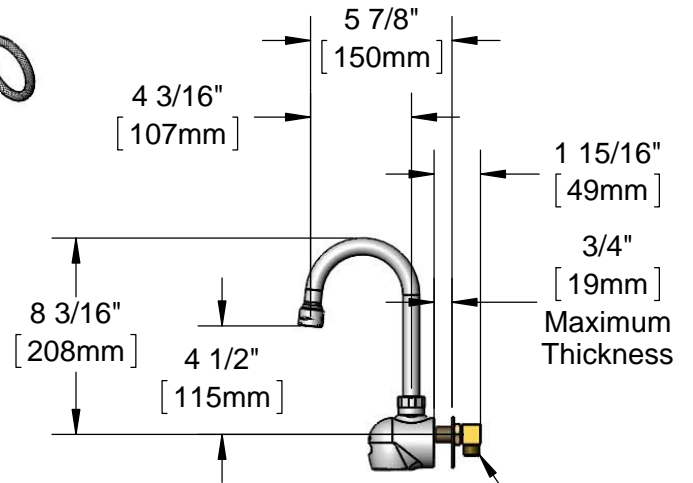
EC-HYDROGEN Hydro-Generator Power Supply (No Batteries or AC Adapter Needed to Supply Power to Faucet)

24" [610mm] Sensor Cable

3 5/8" x 4 3/16" x 2" Deep [92mm x 106mm x 51mm] Control Module Box (White) w/ Water Resistant Connections. AC or DC Operated w/ (4) AA Batteries if Hydro Generator is Not Used.

5EF-TMV ASSE 1070 Thermostatic Mixing Valve w/ Check Valves

(2) 18" [457mm] Flexible Stainless Steel Supply Hoses. 1/2" NPSM Female x 3/8" Compression Female



Short EI for Restricted Space Installation



Rough-In Requirement:  
Ø 1 1/8" [29mm] Mounting Hole

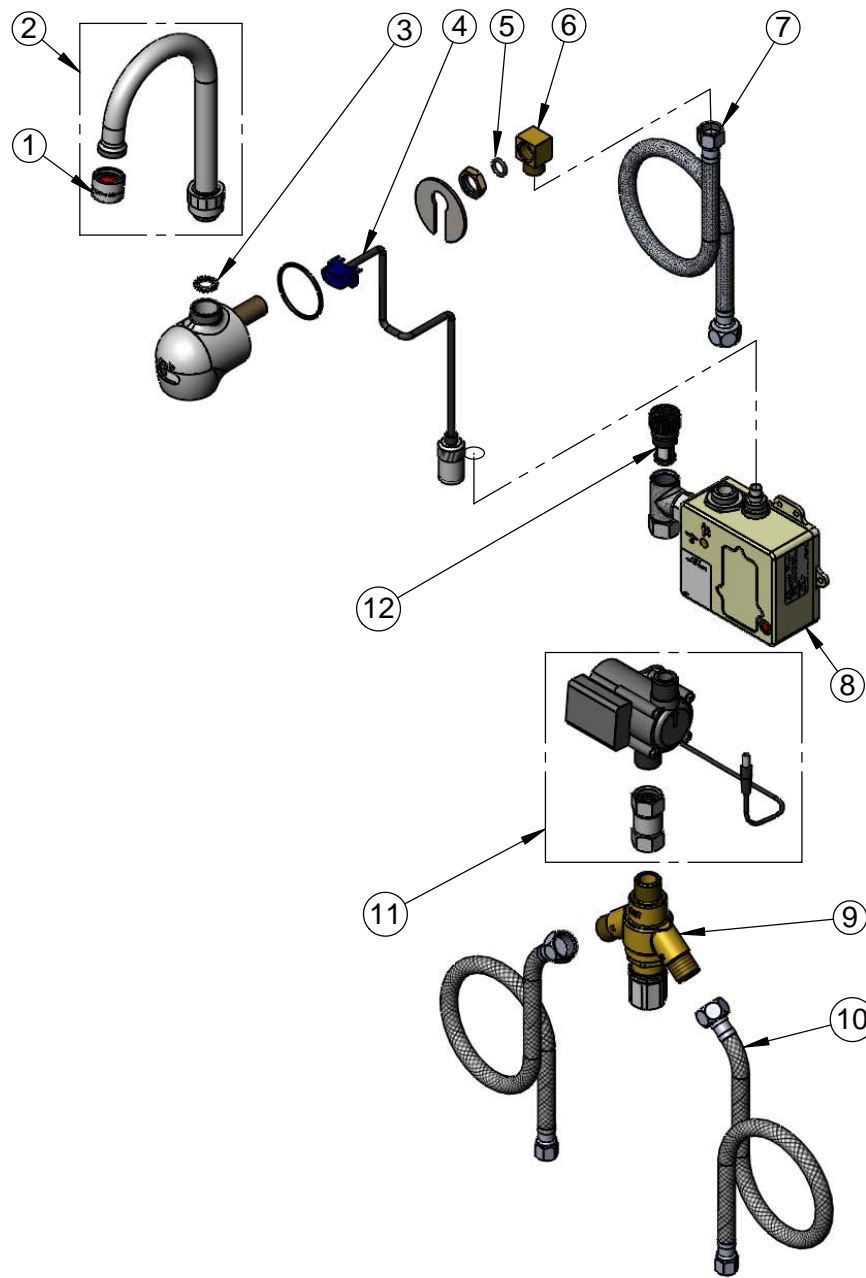
Model Number  
**5EF-1D-WGAT-THG**

Product Compliance:  
ASME A112.18.1 / CSA B125.1  
NSF 61 - Section 9  
NSF 372 (Low Lead Content)  
ANSI A117.1 (ADA)  
UL 1951  
ASSE 1070 (TMV)

Product Specifications:  
Electronic Faucet: Wall Mount Swivel Gooseneck, 2.2 GPM VR Aerator, AC-DC Control Module, Hydro-Generator, Thermostatic Mixing Valve w/ Check Valves & (2) 18" Flexible Supply Hoses

equip Foodservice Accessories

2 Saddleback Cove, P.O. Box 1088  
Travelers Rest, South Carolina 29690  
Phone: 800.891.4808 Fax: 800.868.0084  
equip.tsbrass.com



ITEM NO.	SALES NO.	DESCRIPTION
1	B-0199-06	VR 2.2 GPM Aerator w/ Key
2	016739-40	Swivel Gooseneck w/ 2.2 GPM Aerator (5EF-1D-WGMM)
3	017421-45	Serrated Lock Washer
4	5EF-0003	24" Sensor Cable
5	001075-45	O-Ring
6	015345-20	3/8-18 NPSM Low Profile Elbow
7	016325-45	Inlet Hose, Faucet, 1/2" NPSM-F x 3/8" NPSM-F
8	5EF-0001	equip Sensor Faucet - Control Module
9	5EF-TMV	ASSE 1070 Thermostatic Mixing Valve
10	5EF-0005	Supply Hose, 9/16-24 Female x 1/2" NPSM
11	EC-HYDROGEN	HydroGenerator Power Supply
12	5EF-FILTER	Replacement Filter
13	015425-45	Vandal Resistant Key



5EF-0002  
71" [1800mm]  
Power Cord w/  
100-240 Vac Adapter  
(Included)



015425-45  
Vandal Resistant Key

Model Number

**5EF-1D-WGAT-THG**

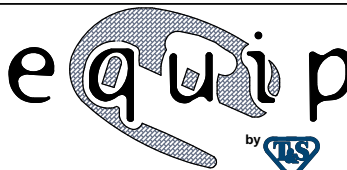
Product Specifications:

Electronic Faucet: Wall Mount Swivel Gooseneck, 2.2 GPM VR Aerator, AC-DC Control Module, Hydro-Generator, Thermostatic Mixing Valve w/ Check Valves & (2) 18" Flexible Supply Hoses

Product Compliance:

ASME A112.18.1 / CSA B125.1  
NSF 61 - Section 9  
NSF 372 (Low Lead Content)  
ANSI A117.1 (ADA)  
UL 1951  
ASSE 1070 (TMV)

equip  
Foodservice  
Accessories



2 Saddleback Cove, P.O. Box 1088  
Travelers Rest, South Carolina 29690  
Phone: 800.891.4808 Fax: 800.868.0084  
equip.tsbrass.com