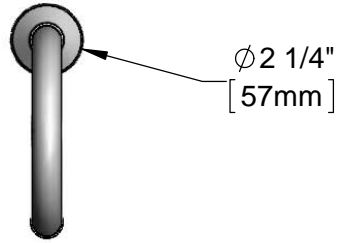


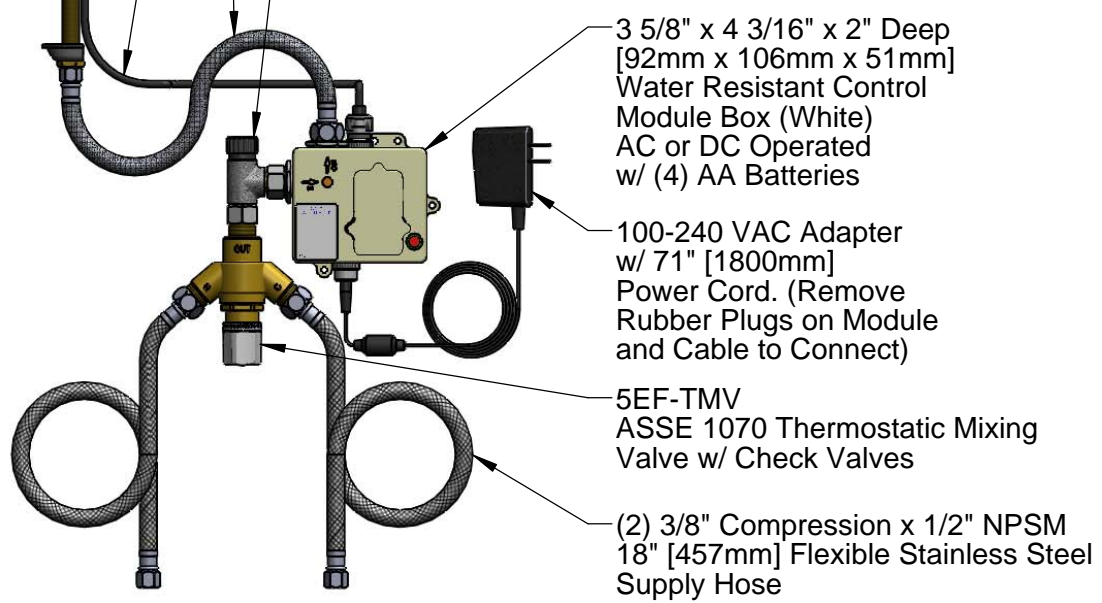
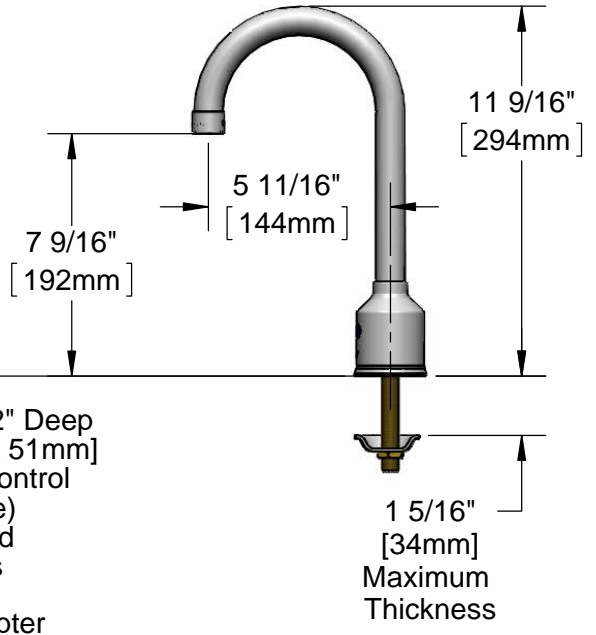
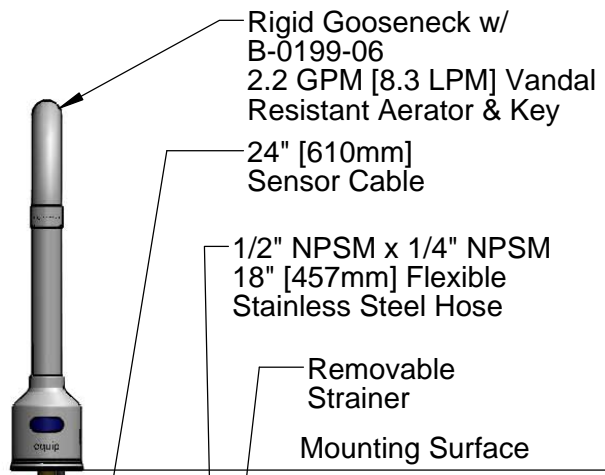
*This Space for Architect/Engineer Approval*  
 Job Name \_\_\_\_\_ Date \_\_\_\_\_  
 Model Specified \_\_\_\_\_ Quantity \_\_\_\_\_  
 Customer/Wholesaler \_\_\_\_\_  
 Contractor \_\_\_\_\_  
 Architect/Engineer \_\_\_\_\_



**ADA Compliant**



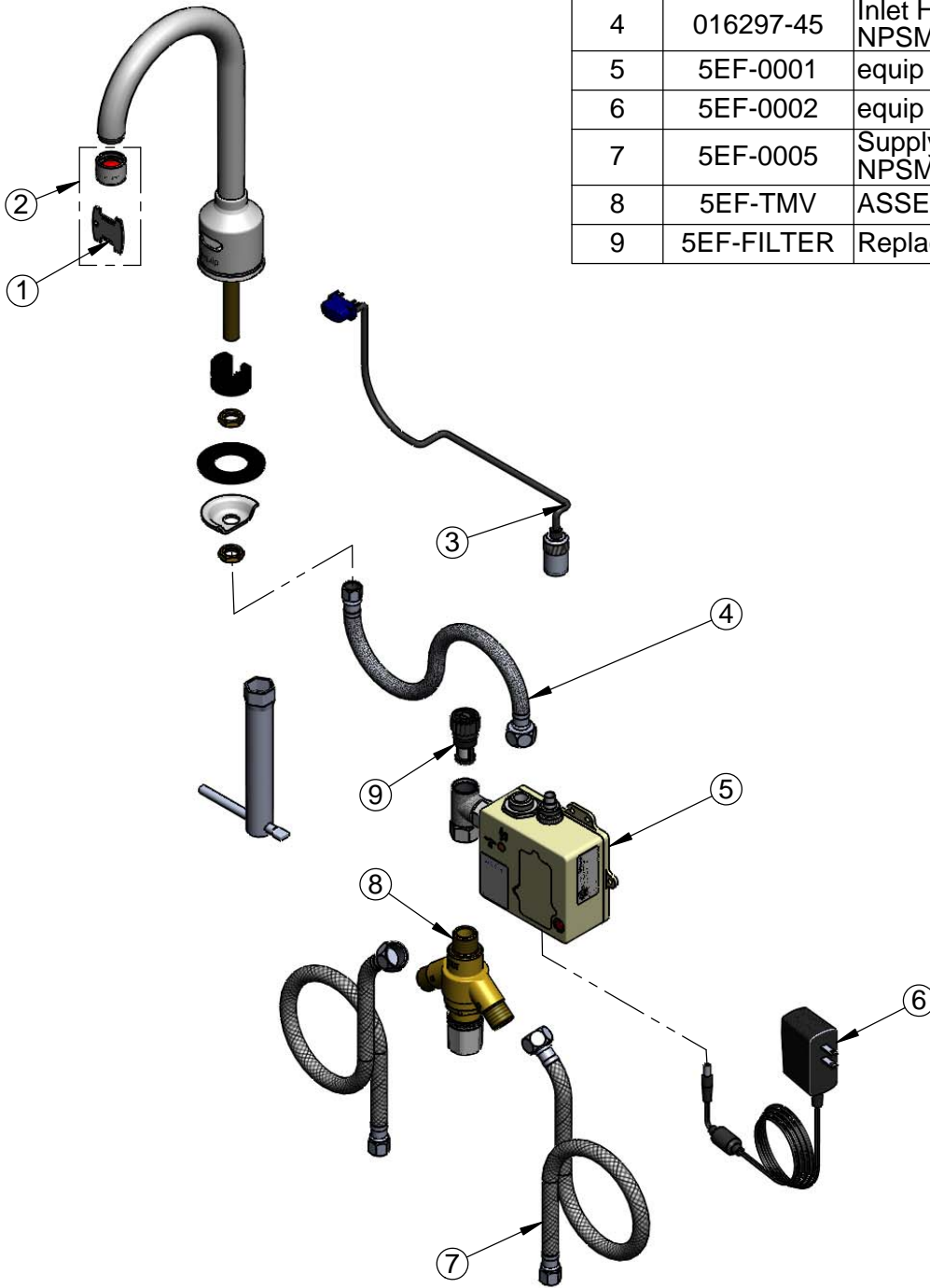
Ø 2 1/4"  
[57mm]



Rough-In Requirement:  
Ø 1" [25mm] Mounting Hole

Model Number  <h2 style="text-align: center;">5EF-1D-DG-TMV</h2>	Product Specifications:  <p style="text-align: center;"><b>Electronic Faucet: Deck Mount, Rigid Gooseneck, 2.2 GPM VR Aerator, AC-DC Control Module, Thermostatic Temperature Control Mixing Valve, Check Valves &amp; (2) 18" Flexible Supply Hoses</b></p>
Product Compliance:  ASME A112.18.1 / CSA B125.1 NSF 61 - Section 9 NSF 372 (Low Lead Content) ANSI A117.1 (ADA) UL 1951 ASSE 1070 (TMV)	<div style="display: flex; justify-content: space-between; align-items: center;"> <div data-bbox="600 1900 738 1984"> <p>equip Foodservice Accessories</p> </div> <div data-bbox="747 1858 1096 2026" style="text-align: center;"> </div> <div data-bbox="1104 1890 1559 2005"> <p>2 Saddleback Cove, P.O. Box 1088          Travelers Rest, South Carolina 29690          Phone: 800.891.4808 Fax: 800.868.0084  <a href="http://equip.tsbrass.com">equip.tsbrass.com</a></p> </div> </div>

ITEM NO.	SALES NO.	DESCRIPTION
1	015425-45	Vandal Resistant Key
2	B-0199-06	VR 2.2 GPM Aerator, 55/64-27 UN Female w/ Key
3	5EF-0004	24" Sensor Cable
4	016297-45	Inlet Hose, Faucet, 1/2" NPSM-F x 1/4" NPSM-F
5	5EF-0001	equip Sensor Faucet - Control Module
6	5EF-0002	equip AC Transformer, 100-240 VAC
7	5EF-0005	Supply Hose, 9/16-24 Female x 1/2" NPSM
8	5EF-TMV	ASSE 1070 Thermostatic Mixing Valve
9	5EF-FILTER	Replacement Filter



Model Number

**5EF-1D-DG-TMV**

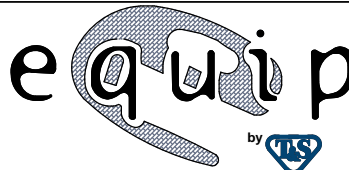
Product Specifications:

Electronic Faucet: Deck Mount, Rigid Gooseneck, 2.2 GPM VR Aerator, AC-DC Control Module, Thermostatic Temperature Control Mixing Valve, Check Valves & (2) 18" Flexible Supply Hoses

Product Compliance:

ASME A112.18.1 / CSA B125.1  
 NSF 61 - Section 9  
 NSF 372 (Low Lead Content)  
 ANSI A117.1 (ADA)  
 UL 1951  
 ASSE 1070 (TMV)

equip  
 Foodservice  
 Accessories



2 Saddleback Cove, P.O. Box 1088  
 Travelers Rest, South Carolina 29690  
 Phone: 800.891.4808 Fax: 800.868.0084  
 equip.tsbrass.com