



ADA Compliant

This Space for Architect/Engineer Approval

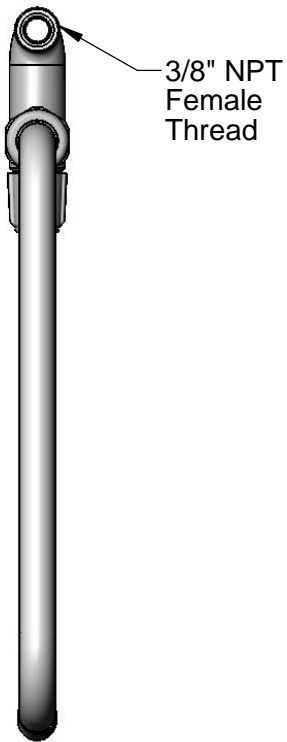
Job Name _____ Date _____

Model Specified _____ Quantity _____

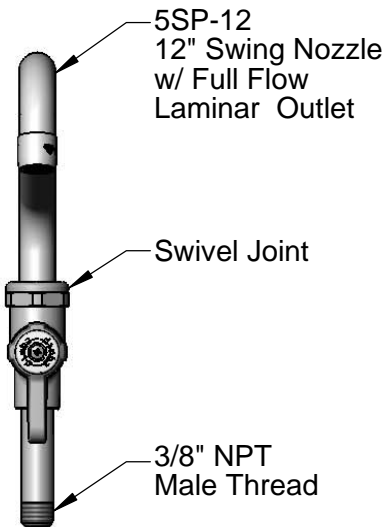
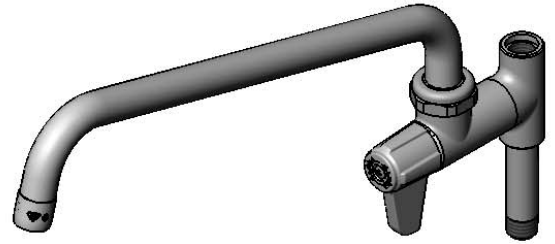
Customer/Wholesaler _____

Contractor _____

Architect/Engineer _____



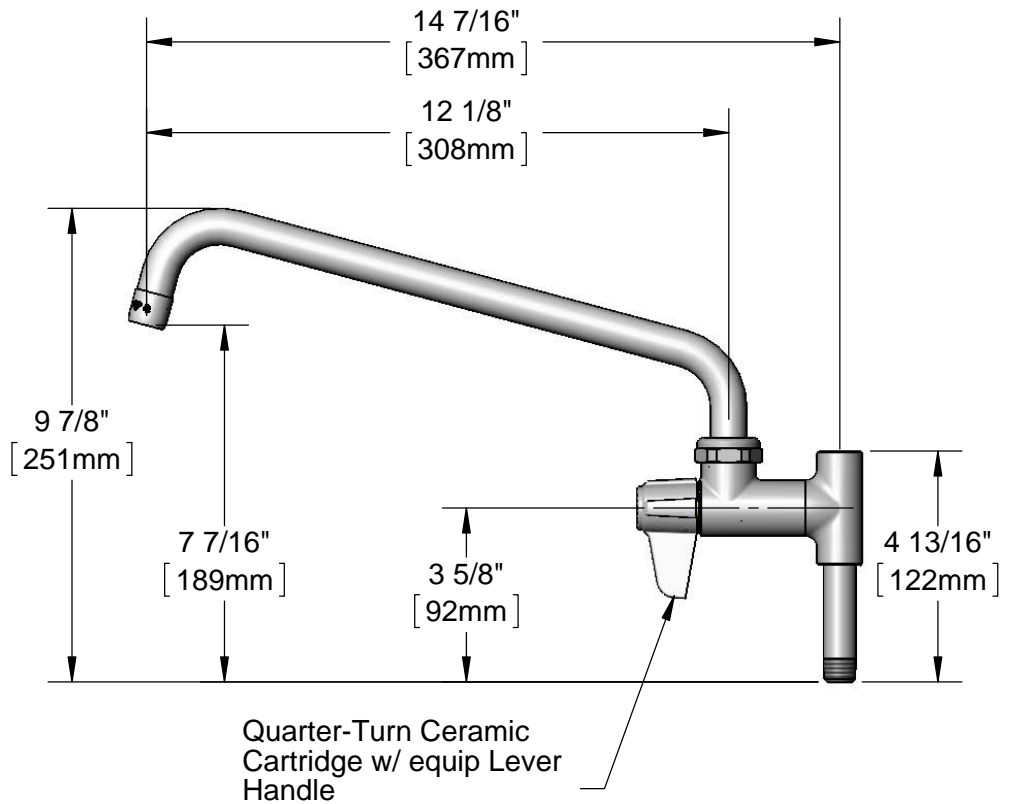
3/8" NPT
Female
Thread



5SP-12
12" Swing Nozzle
w/ Full Flow
Laminar Outlet

Swivel Joint

3/8" NPT
Male Thread



Model Number

5AFL12

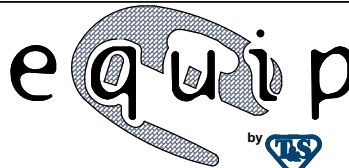
Product Specifications:

equip Add-On Faucet, Quarter-Turn Ceramic Cartridge,
12" Swing Nozzle & Laminar Full Flow Device

Product Compliance:

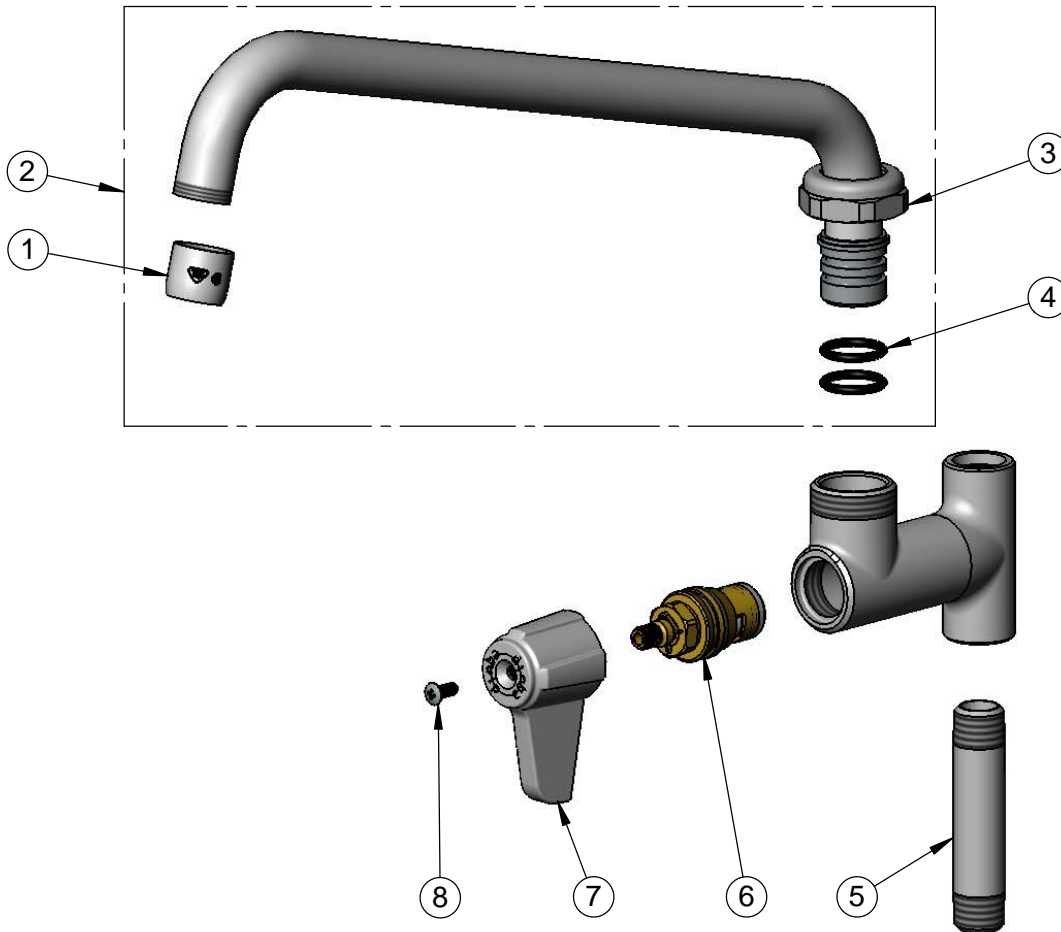
ASME A112.18.1 / CSA B125.1
NSF 61 - Section 9
NSF 372 (Low Lead Content)
ANSI A117.1 (ADA)

equip
Foodservice
Accessories



2 Saddleback Cove, P.O. Box 1088
Travelers Rest, South Carolina 29690
Phone: 800.891.4808 Fax: 800.868.0084
equip.tsbrass.com

ITEM NO.	SALES NO.	DESCRIPTION
1	014250-45	Laminar Full Flow Device, 3/4-27 UN Female
2	5AFL12	12" Swing Nozzle
3	013839-25	equip Swivel Nut
4	013848-45	equip Swivel Piece O-Ring
5	000358-40	3/8" NPT x 3" Nipple
6	013787-45	equip Quarter-Turn Ceramic Cartridge, RTC
7	5-HDL-L	Equip Lever Handle
8	013849-45	Lever Handle Screw



Model Number

5AFL12

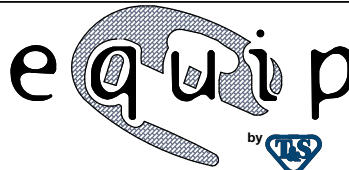
Product Specifications:

equip Add-On Faucet, Quarter-Turn Ceramic Cartridge,
12" Swing Nozzle & Laminar Full Flow Device

Product Compliance:

ASME A112.18.1 / CSA B125.1
NSF 61 - Section 9
NSF 372 (Low Lead Content)
ANSI A117.1 (ADA)

equip
Foodservice
Accessories



2 Saddleback Cove, P.O. Box 1088
Travelers Rest, South Carolina 29690
Phone: 800.891.4808 Fax: 800.868.0084
equip.tsbrass.com