



T&S BRASS AND BRONZE WORKS, INC.

2 Saddleback Cove / P.O. Box 1088
Travelers Rest, SC 29690

Model No.

EC-3132-LF22

Item No.

Travelers Rest, SC: 800-476-4103 • Simi Valley, CA: 800-423-0150 • Fax: 864-834-3518 • www.tsbrass.com



ADA Compliant



This Space for Architect/Engineer Approval

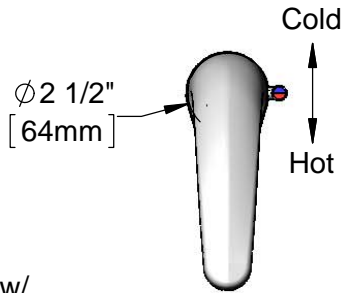
Job Name _____ Date _____

Model Specified _____ Quantity _____

Customer/Wholesaler _____

Contractor _____

Architect/Engineer _____



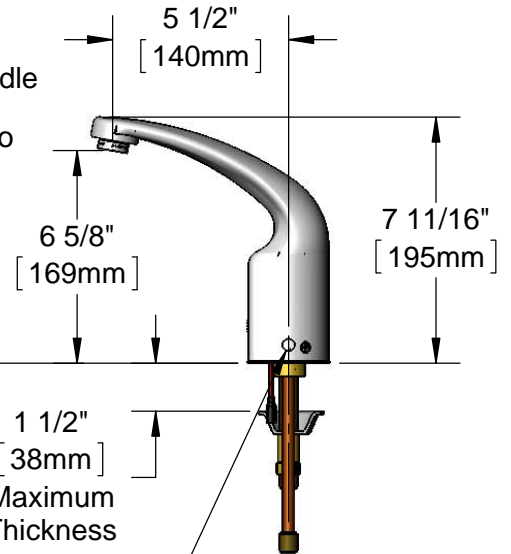
Cast Spout w/
B-0199-28
2.2 GPM VR
Laminar Flow
Device

Internal Above Deck
Electronics w/ Flow
Control Setting Switches.
Powered w/ 6 VDC
Lithium Battery.

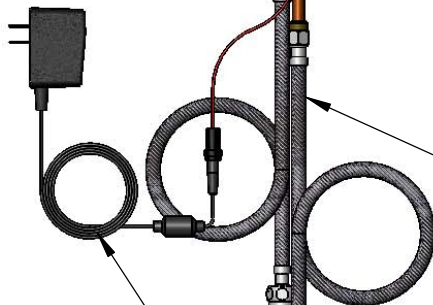
Removable
Anti-Rotation Pin

Temperature Mixing Handle
w/ Color Coded Index
(Optional Plug Included to
Replace Handle When
Temperature is Preset)

Mounting
Surface



Shown w/ Optional
Plug Installed When
Water Temperature
is Preset (Included)



19" [483mm] Flexible
Stainless Steel Supply
Hoses

1/2" NPSM Swivel Ends
w/ Filter Washers

Check Valve Adapters
w/ 3/8" Compression
(9/16"-24 UN) Inlets

Optional 100-240 VAC
Adapter w/ 71" [1800mm]
Power Cord

Rough-In Requirement:
Ø 1 1/4" [32mm] Mounting Hole
Ø 3/16" [5mm] Anti-Rotation Pin Hole (Optional)

Product Specifications:

Chrome Plated Brass Above Deck Electronics Faucet, Single Hole Deck Mount, Cast Spout w/ VR 2.2 GPM Laminar Flow Device, Point-of-Use Temperature Control, Battery or AC Adapter Powered, 19" Flexible Stainless Steel Supply Hoses w/ 3/8" Compression Fittings

Product Compliance:

ASME A112.18.1 / CSA B125.1
NSF 61 - Section 9
NSF 372 (Low Lead Content)
ANSI A117.1 (ADA)
UL 1951



T&S BRASS AND BRONZE WORKS, INC.

2 Saddleback Cove / P.O. Box 1088
Travelers Rest, SC 29690

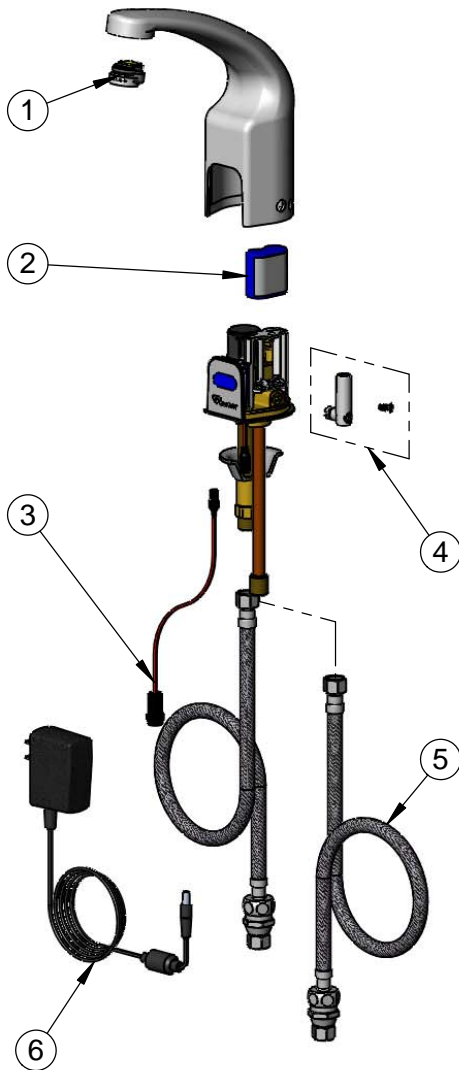
Model No.

EC-3132-LF22

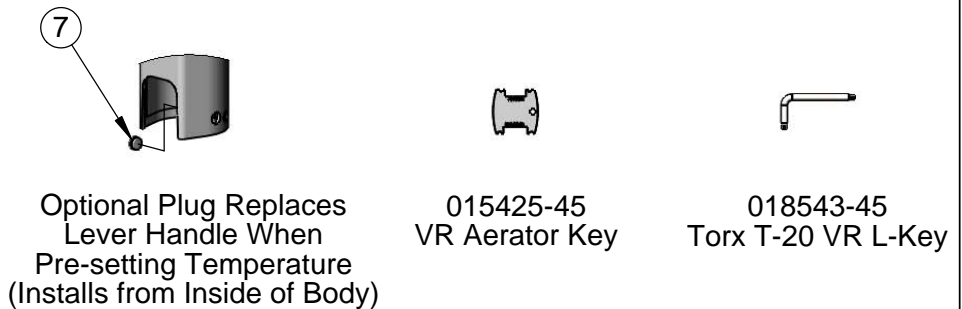
Item No.

Travelers Rest, SC: 800-476-4103 • Simi Valley, CA: 800-423-0150 • Fax: 864-834-3518 • www.tsbrass.com

ITEM NO.	SALES NO.	DESCRIPTION
1	B-0199-28	VR 2.2 GPM Laminar Flow Device w/ Key
2	019087-45	6VDC Lithium Battery, CR-P2
3	019088-45	Auxiliary Power Connector Cable
4	019082-45	Lever & Body Screw Kit w/ L-Key
5	018544-45	Flexible Stainless Steel Supply Hose w/ Check Valve Adapter
6	5EF-0002	A/C Transformer
7	019086-45	Body Plug, Pre-Set Temperature



A maximum of (8) ChekPoint faucets can be powered by EC-HARDWIRE ChekPoint Hardwire AC Transformer when connected using EC-ADEWIRE cables. (Both sold separately)



Flow Control Switches are Located Behind the Sensor. Remove Battery to Access Switches.

* Switches are set to DEFAULT position:

- Auto Time Out = 15 seconds
- Shut Off Delay = 1 second
- Auto Flush = OFF

* Available Water Flow Control Selections:

- Auto Time Out: 15 sec, 30 sec, 45 sec, 60 sec, 3 min, 20 min
- Shut Off Delay: 1 sec, 10 sec, 15 sec, 30 sec
- Auto Flush (30 Seconds After Every 12 Inactive Hours): ON or OFF

Product Specifications:

Chrome Plated Brass Above Deck Electronics Faucet, Single Hole Deck Mount, Cast Spout w/ VR 2.2 GPM Laminar Flow Device, Point-of-Use Temperature Control, Battery or AC Adapter Powered, 19" Flexible Stainless Steel Supply Hoses w/ 3/8" Compression Fittings

Product Compliance:

ASME A112.18.1 / CSA B125.1
NSF 61 - Section 9
NSF 372 (Low Lead Content)
ANSI A117.1 (ADA)
UL 1951