



T&S BRASS AND BRONZE WORKS, INC.

2 Saddleback Cove / P.O. Box 1088
Travelers Rest, SC 29690

Model No.

EC-3132-HG

Item No.

Travelers Rest, SC: 800-476-4103 • Simi Valley, CA: 800-423-0150 • Fax: 864-834-3518 • www.tsbrass.com



ADA Compliant



This Space for Architect/Engineer Approval

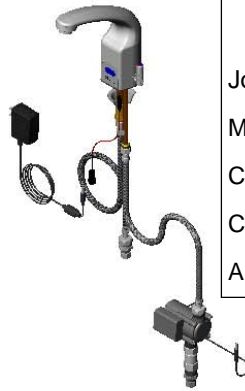
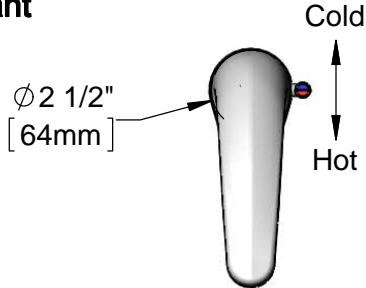
Job Name _____ Date _____

Model Specified _____ Quantity _____

Customer/Wholesaler _____

Contractor _____

Architect/Engineer _____



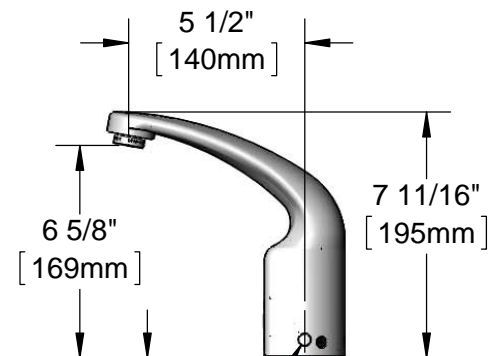
Internal Above Deck Electronics w/ Flow Control Setting Switches. Optional DC Power w/ 6 V Lithium Battery.

Removable Anti-Rotation Pin

Cast Spout w/ 2.2 GPM [8.3 L/min] Vandal Resistant Aerator

Temperature Mixing Handle w/ Color Coded Index (Optional Plug Included to Replace Handle When Temperature is Preset)

Mounting Surface



1 1/2" [38mm] Maximum Thickness

Shown w/ Optional Plug Installed When Water Temperature is Preset (Included)

Connection to Power Supply

13/16" [21mm]

19" [486mm] Flexible Stainless Steel Supply Hoses

1/2" NPSM Swivel Ends w/ Filter Washers

Hydro-Generator Power Supply. No Battery or AC Adapter Needed to Supply Power to Faucet

Check Valve Adapters w/ 3/8" Compression (9/16"-24 UN) Inlets

Optional 100-240 VAC Adapter w/ 71" [1800mm] Power Cord

Rough-In Requirement:

Ø 1 1/4" [32mm] Mounting Hole

Ø 3/16" [5mm] Anti-Rotation Pin Hole (Optional)

Product Specifications:

Chrome Plated Brass Above Deck Electronics Faucet, Single Hole Deck Mount, Cast Spout w/ 2.2 GPM VR Aerator, Point-of-Use Temperature Control, Hydro-Generator Powered, 19" Flexible Stainless Steel Supply Hoses & 3/8" Compression Inlets

Product Compliance:

ASME A112.18.1 / CSA B125.1
NSF 61 - Section 9
NSF 372 (Low Lead Content)
ANSI A117.1 (ADA)
UL 1951

Drawn: KJG

Checked: GEF

Approved: JHB

Date: 08/26/16

Scale: 1:6

Sheet: 1 of 2



T&S BRASS AND BRONZE WORKS, INC.

2 Saddleback Cove / P.O. Box 1088
Travelers Rest, SC 29690

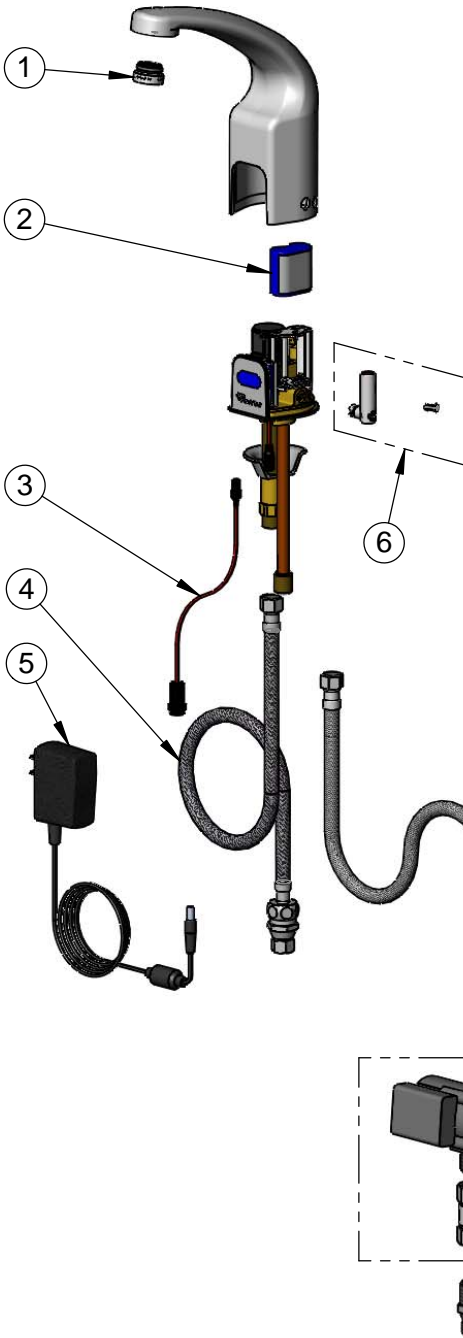
Model No.

EC-3132-HG

Item No.

Travelers Rest, SC: 800-476-4103 • Simi Valley, CA: 800-423-0150 • Fax: 864-834-3518 • www.tsbrass.com

ITEM NO.	SALES NO.	DESCRIPTION
1	B-0199-08	VR 2.2 GPM Aerator, 13/16-27 UN Male w/ Key
2	019087-45	6VDC Lithium Battery, CR-P2
3	019088-45	Auxiliary Power Connector Cable
4	018544-45	SS Flex Hose w/ Check Valve Adapter
5	5EF-0002	Plug-In A/C Transformer
6	019082-45	Lever Asm & Body Screw Kit w/ L-Key
7	EC-HYDROGEN	HydroGenerator Power Supply
8	017506-45	1/2" NPSM Swivel Coupling
9	019086-45	Body Plug, Pre-Set Temperature



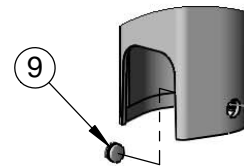
Flow Control Switches are Located Behind the Sensor.
Remove Battery to Access Switches.

* Switches are set to DEFAULT position:

- Auto Time Out = 15 seconds
- Shut Off Delay = 1 second
- Auto Flush = OFF

* Available Water Flow Control Selections:

- Auto Time Out: 15 sec, 30 sec, 45 sec, 60 sec, 3 min, 20 min
- Shut Off Delay: 1 sec, 10 sec, 15 sec, 30 sec
- Auto Flush (30 Seconds After Every 12 Inactive Hours): ON or OFF



Optional Plug Replaces
Lever Handle When
Pre-setting Temperature
(Installs from Inside of Body)



015425-45
VR Aerator Key



018543-45
Torx T-20 VR L-Key

Product Specifications:

Chrome Plated Brass Above Deck Electronics Faucet, Single Hole Deck Mount, Cast Spout w/ 2.2 GPM VR Aerator, Point-of-Use Temperature Control, Hydro-Generator Powered, 19" Flexible Stainless Steel Supply Hoses & 3/8" Compression Inlets

Product Compliance:

ASME A112.18.1 / CSA B125.1
NSF 61 - Section 9
NSF 372 (Low Lead Content)
ANSI A117.1 (ADA)
UL 1951