



# T&S BRASS AND BRONZE WORKS, INC.

2 Saddleback Cove / P.O. Box 1088  
Travelers Rest, SC 29690

Model No.

**EC-3130-VF05**

Item No.

Travelers Rest, SC: 800-476-4103 • Simi Valley, CA: 800-423-0150 • Fax: 864-834-3518 • www.tsbrass.com



**ADA Compliant**



This Space for Architect/Engineer Approval

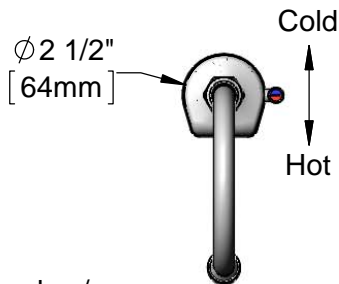
Job Name \_\_\_\_\_ Date \_\_\_\_\_

Model Specified \_\_\_\_\_ Quantity \_\_\_\_\_

Customer/Wholesaler \_\_\_\_\_

Contractor \_\_\_\_\_

Architect/Engineer \_\_\_\_\_



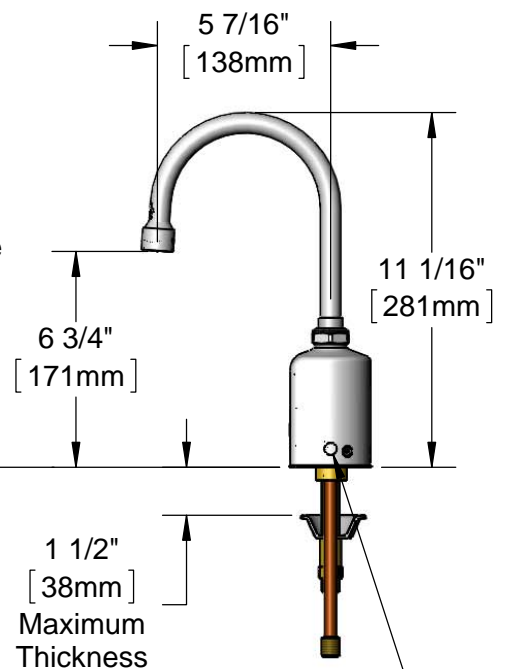
Swivel Gooseneck w/  
B-0199-06-N05  
0.5 GPM VR Non-Aerated  
Spray Device. Rigid  
Conversion Requires  
014200-45 Lock Washer  
(Included)

Internal Above Deck  
Electronics w/ Flow  
Control Setting Switches.  
Powered w/ 6 VDC  
Lithium Battery.

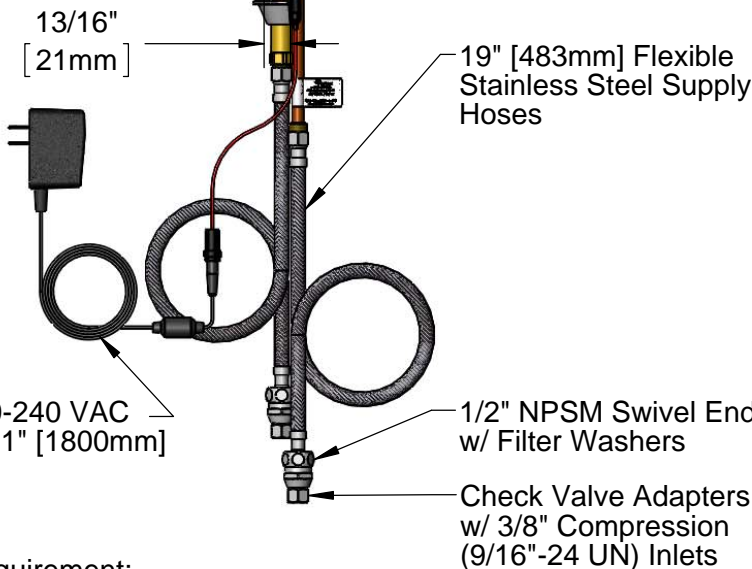
Removable  
Anti-Rotation Pin

Temperature Mixing Handle  
w/ Color Coded Index  
(Optional Plug Included to  
Replace Handle When  
Temperature is Preset)

Mounting Surface



Shown w/ Optional  
Plug Installed When  
Water Temperature  
is Preset (Included)



Optional 100-240 VAC  
Adapter w/ 71" [1800mm]  
Power Cord

Rough-In Requirement:  
Ø 1 1/4" [32mm] Mounting Hole  
Ø 3/16" [5mm] Anti-Rotation Pin Hole (Optional)

Product Specifications:  
Chrome Plated Brass Above Deck Electronics Faucet, Single Hole Deck  
Mount, Swivel Gooseneck w/ VR 0.5 GPM VR Spray Device, Point-of-Use  
Temperature Control, Battery or AC Adapter Powered, 19" Flexible Stainless  
Steel Supply Hose w/ 3/8" Compression Fittings

Product Compliance:  
ASME A112.18.1 / CSA B125.1  
NSF 61 - Section 9  
NSF 372 (Low Lead Content)  
ANSI A117.1 (ADA)  
UL 1951



# T&S BRASS AND BRONZE WORKS, INC.

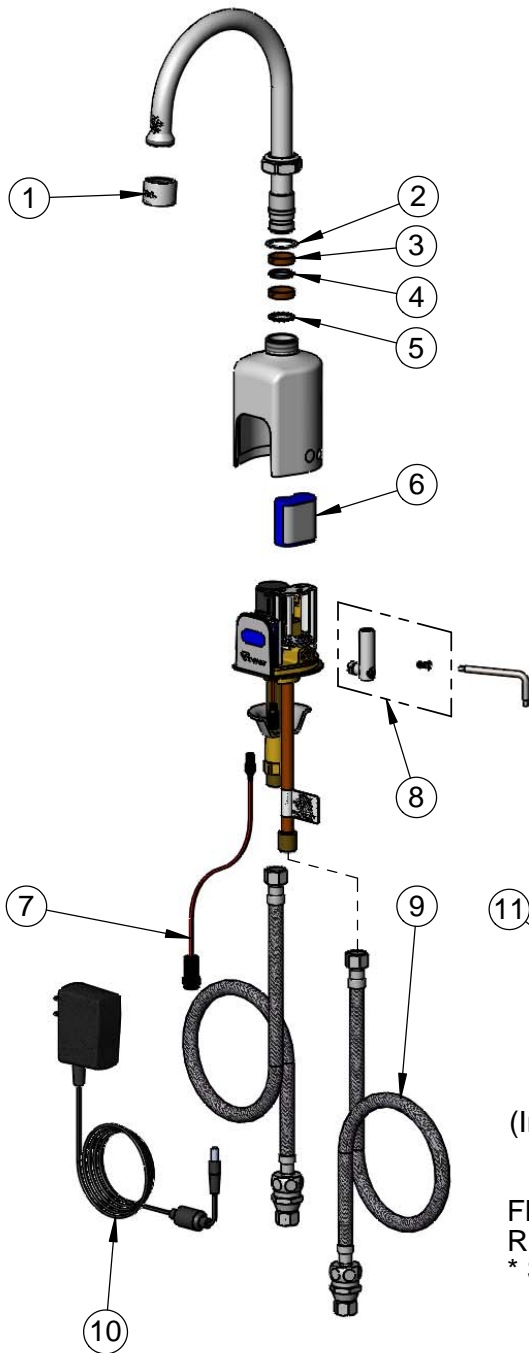
2 Saddleback Cove / P.O. Box 1088  
Travelers Rest, SC 29690

Model No.

**EC-3130-VF05**

Item No.

Travelers Rest, SC: 800-476-4103 • Simi Valley, CA: 800-423-0150 • Fax: 864-834-3518 • www.tsbrass.com



ITEM NO.	SALES NO.	DESCRIPTION
1	B-0199-06-N05	VR 0.5 GPM Non-Aerated Spray Device, 55/64-27 UN Female w/ Key
2	009538-45	Swivel Washer
3	011429-45	Swivel Sleeves (2)
4	001074-45	O-Ring
5	014200-45	Star Washer, Anti-Rotation
6	019087-45	6VDC Lithium Battery, CR-P2
7	019088-45	Auxiliary Power Connector Cable
8	019082-45	Lever & Body Screw Kit w/ L-Key
9	018544-45	19" Flexible Stainless Steel Hose w/ Check Valve Adapter
10	5EF-0002	A/C Transformer
11	019086-45	Body Plug, Pre-Set Temperature

A maximum of (8) ChekPoint faucets can be powered by EC-HARDWIRE ChekPoint Hardwire AC Transformer when connected using EC-ADEWIRE cables. (Both sold separately)

Optional Plug Replaces Lever Handle When Pre-setting Temperature (Installs from Inside of Body)

015425-45  
VR Aerator Key

018543-45  
Torx T-20 VR L-Key

Flow Control Switches are Located Behind the Sensor. Remove Battery to Access Switches.

\* Switches are set to DEFAULT position:

- Auto Time Out = 15 seconds
- Shut Off Delay = 1 second
- Auto Flush = OFF

\* Available Water Flow Control Selections:

- Auto Time Out: 15 sec, 30 sec, 45 sec, 60 sec, 3 min, 20 min
- Shut Off Delay: 1 sec, 10 sec, 15 sec, 30 sec
- Auto Flush (30 Seconds After Every 12 Inactive Hours): ON or OFF

**Product Specifications:**

Chrome Plated Brass Above Deck Electronics Faucet, Single Hole Deck Mount, Swivel Gooseneck w/ VR 0.5 GPM VR Spray Device, Point-of-Use Temperature Control, Battery or AC Adapter Powered, 19" Flexible Stainless Steel Supply Hose w/ 3/8" Compression Fittings

**Product Compliance:**

ASME A112.18.1 / CSA B125.1  
NSF 61 - Section 9  
NSF 372 (Low Lead Content)  
ANSI A117.1 (ADA)  
UL 1951