



T&S BRASS AND BRONZE WORKS, INC.

2 Saddleback Cove / P.O. Box 1088
Travelers Rest, SC 29690

Model No.

EC-3130-ST-VF05

Item No.

Travelers Rest, SC: 800-476-4103 • Simi Valley, CA: 800-423-0150 • Fax: 864-834-3518 • www.tsbrass.com



ADA Compliant



This Space for Architect/Engineer Approval

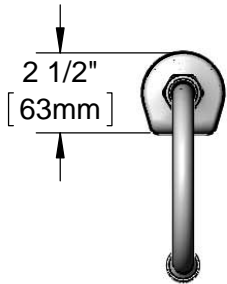
Job Name _____ Date _____

Model Specified _____ Quantity _____

Customer/Wholesaler _____

Contractor _____

Architect/Engineer _____



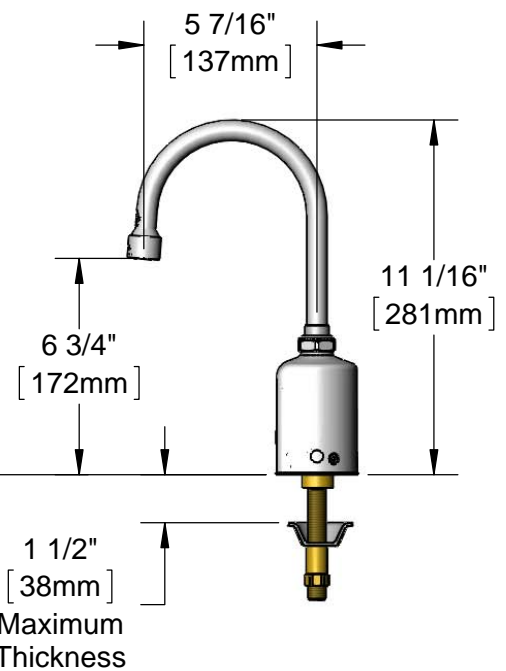
Internal Above Deck Electronics w/ Flow Control Setting Switches. Powered w/ 6 VDC Lithium Battery.

Removable Anti-Rotation Pin

Mounting Surface

13/16" [21mm]

Swivel Gooseneck w/ B-0199-06-N05
0.5 GPM [1.9 L/min]
Vandal Resistant
Non-Aerated Spray Device.
Rigid Conversion Requires
014200-45 Lock Washer
(Included)



19" [483mm] Flexible Stainless Steel Supply Hose w/ 1/2" NPSM Swivel End & Filter Washer

Check Valve Adapter w/ 3/8" Compression (9/16-24 UN) Inlet

Optional 100-240 VAC Adapter w/ 71" [1800mm] Power Cord

Rough-In Requirement:

Ø 1 1/4" [32mm] Mounting Hole

Ø 3/16" [5mm] Anti-Rotation Pin Hole (Optional)

Product Specifications:

Chrome Plated Brass Above Deck Electronics Faucet, Single Hole Single Temperature Deck Mount, Swivel/Rigid Gooseneck, 0.5 GPM VR Non-Aerated Spray Device, Battery or AC Adapter Powered, 19" Flexible Stainless Steel Supply Line & 3/8" Compression Inlet

Product Compliance:

ASME A112.18.1 / CSA B125.1
NSF 61 - Section 9
NSF 372 (Low Lead Content)
ANSI A117.1 (ADA)
UL 1951

Drawn: KJG

Checked: GEF

Approved: JHB

Date: 08/26/16

Scale: 1:6

Sheet: 1 of 2



T&S BRASS AND BRONZE WORKS, INC.

2 Saddleback Cove / P.O. Box 1088
Travelers Rest, SC 29690

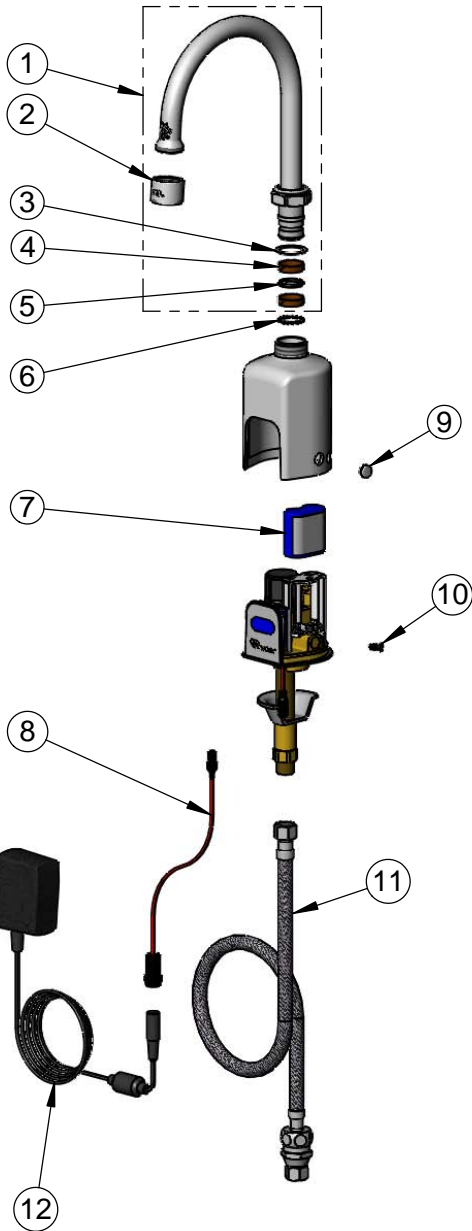
Model No.

EC-3130-ST-VF05

Item No.

Travelers Rest, SC: 800-476-4103 • Simi Valley, CA: 800-423-0150 • Fax: 864-834-3518 • www.tsbrass.com

ITEM NO.	SALES NO.	DESCRIPTION
1	019283-40	Swivel Gooseneck w/ 0.5 GPM VR Non-Aerated Spray Device & Key
2	B-0199-06-N05	0.5 GPM VR Non-Aerated Spray Device, 55/64-27 Female w/ Key
3	009538-45	Swivel Washer
4	011429-45	Swivel Sleeves (2)
5	001074-45	O-Ring
6	014200-45	Star Washer, Anti-Rotation
7	019087-45	6VDC Lithium Battery, CR-P2
8	019088-45	Auxiliary Power Connector Cable
9	019086-45	Body Plug, Pre-Set Temperature
10	019082-45	Body Screw w/ L-Key
11	018544-45	SS Flex Hose w/ Check Valve Adapter
12	5EF-0002	AC Transformer



A maximum of (8) ChekPoint faucets can be powered by EC-HARDWIRE ChekPoint Hardwire AC Transformer when connected using EC-ADEWIRE cables. (Both sold separately)



015425-45
VR Aerator Key



018543-45
Torx T-20 VR L-Key

Flow Control Switches are Located Behind the Sensor.
Remove Battery to Access Switches.

* Switches are set to DEFAULT position:

- Auto Time Out = 15 seconds
- Shut Off Delay = 1 second
- Auto Flush = OFF

* Available Water Flow Control Selections:

- Auto Time Out: 15 sec, 30 sec, 45 sec, 60 sec, 3 min, 20 min
- Shut Off Delay: 1 sec, 10 sec, 15 sec, 30 sec
- Auto Flush (30 Seconds After Every 12 Inactive Hours): ON or OFF

Product Specifications:

Chrome Plated Brass Above Deck Electronics Faucet, Single Hole Single Temperature Deck Mount, Swivel/Rigid Gooseneck, 0.5 GPM VR Non-Aerated Spray Device, Battery or AC Adapter Powered, 19" Flexible Stainless Steel Supply Line & 3/8" Compression Inlet

Product Compliance:

ASME A112.18.1 / CSA B125.1
NSF 61 - Section 9
NSF 372 (Low Lead Content)
ANSI A117.1 (ADA)
UL 1951