



T&S BRASS AND BRONZE WORKS, INC.
 2 Saddleback Cove / P.O. Box 1088
 Travelers Rest, SC 29690

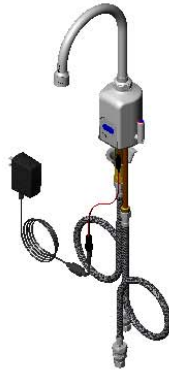
Model No.
EC-3130-LF22

Item No.

Travelers Rest, SC: 800-476-4103 • Simi Valley, CA: 800-423-0150 • Fax: 864-834-3518 • www.tsbrass.com



ADA Compliant



This Space for Architect/Engineer Approval

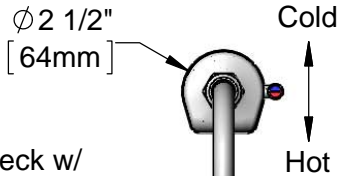
Job Name _____ Date _____

Model Specified _____ Quantity _____

Customer/Wholesaler _____

Contractor _____

Architect/Engineer _____



Swivel Gooseneck w/
 B-0199-21-VRF
 VR 2.2 GPM Laminar
 Flow Device. Rigid
 Conversion Requires
 014200-45 Lock Washer
 (Included)

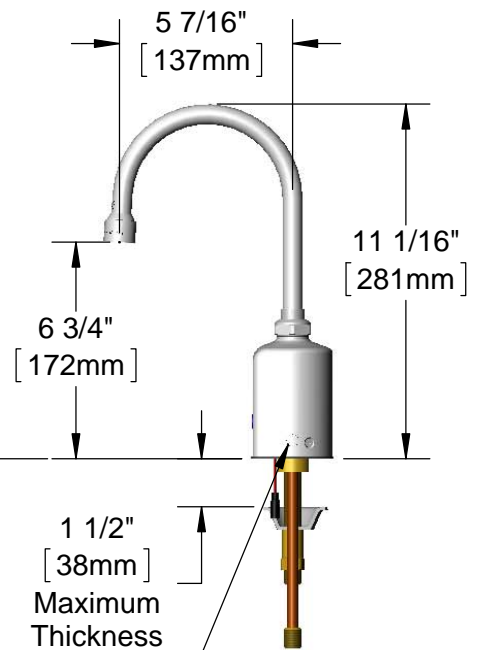
Internal Above Deck
 Electronics w/ Flow
 Control Setting Switches.
 Powered w/ 6 VDC
 Lithium Battery

Removable
 Anti-Rotation Pin

Temperature Mixing Handle
 w/ Color Coded Index
 (Optional Plug Included to
 Replace Handle When
 Temperature is Preset)

Mounting Surface

13/16"
 [21mm]



Shown w/ Optional
 Plug Installed When
 Water Temperature
 is Preset (Included)



Optional 100-240 VAC
 Adapter w/ 71" [1800mm]
 Power Cord

19" [483mm] Flexible
 Stainless Steel Supply
 Hoses

1/2" NPSM Swivel Ends
 w/ Filter Washers

Check Valve Adapters
 w/ 3/8" Compression
 (9/16-24 UN) Inlets

Rough-In Requirement:
 Ø 1 1/4" [32mm] Mounting Hole
 Ø 3/16" [5mm] Anti-Rotation Pin Hole (Optional)

Product Specifications:

Chrome Plated Brass Above Deck Electronics Faucet, Single Hole Deck Mount, Swivel Gooseneck w/ VR 2.2 GPM Laminar Flow Device, Point-of-Use Temperature Control, Battery or AC Adapter Powered, 19" Flexible Stainless Steel Supply Hoses w/ 3/8" Compression Fittings

Product Compliance:

ASME A112.18.1 / CSA B125.1
 NSF 61 - Section 9
 NSF 372 (Low Lead Content)
 ANSI A117.1 (ADA)
 UL 1951



T&S BRASS AND BRONZE WORKS, INC.

2 Saddleback Cove / P.O. Box 1088
Travelers Rest, SC 29690

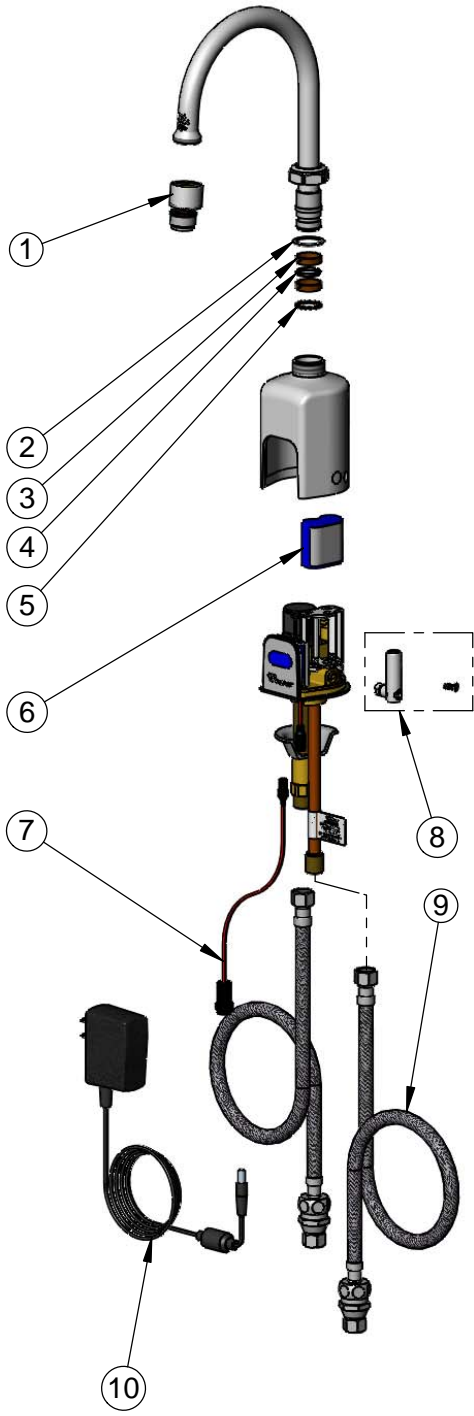
Model No.

EC-3130-LF22

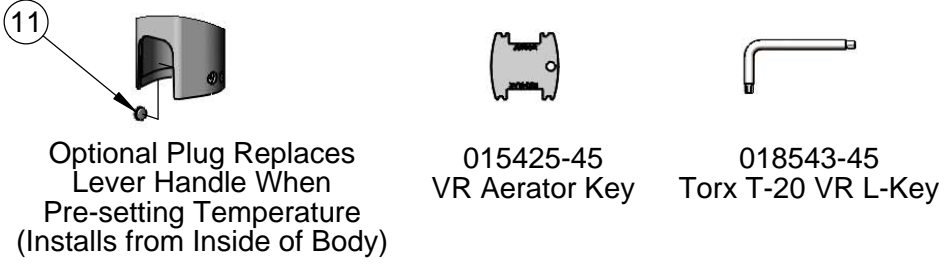
Item No.

Travelers Rest, SC: 800-476-4103 • Simi Valley, CA: 800-423-0150 • Fax: 864-834-3518 • www.tsbrass.com

ITEM NO.	SALES NO.	DESCRIPTION
1	B-0199-21-VRF	VR 2.2 GPM Laminar Flow Device, 55/64-27 UN Female w/ Key
2	009538-45	Swivel Washer
3	011429-45	Swivel Sleeves (2)
4	001074-45	O-Ring
5	014200-45	Star Washer, Anti-Rotation
6	019087-45	6VDC Lithium Battery, CR-P2
7	019088-45	Auxiliary Power Connector Cable
8	019082-45	Lever & Body Screw Kit w/ L-Key
9	018544-45	19" Flexible Stainless Steel Hose w/ Check Valve Adapter
10	5EF-0002	AC Transformer
11	019086-45	Body Plug, Pre-Set Temperature



A maximum of (8) ChekPoint faucets can be powered by EC-HARDWIRE ChekPoint Hardwire AC Transformer when connected using EC-ADEWIRE cables. (Both sold separately)



Flow Control Switches are Located Behind the Sensor. Remove Battery to Access Switches.

* Switches are set to DEFAULT position:

- Auto Time Out = 15 seconds
- Shut Off Delay = 1 second
- Auto Flush = OFF

* Available Water Flow Control Selections:

- Auto Time Out: 15 sec, 30 sec, 45 sec, 60 sec, 3 min, 20 min
- Shut Off Delay: 1 sec, 10 sec, 15 sec, 30 sec
- Auto Flush (30 Seconds After Every 12 Inactive Hours): ON or OFF

Product Specifications:
 Chrome Plated Brass Above Deck Electronics Faucet, Single Hole Deck Mount, Swivel Gooseneck w/ VR 2.2 GPM Laminar Flow Device, Point-of-Use Temperature Control, Battery or AC Adapter Powered, 19" Flexible Stainless Steel Supply Hoses w/ 3/8" Compression Fittings

Product Compliance:
 ASME A112.18.1 / CSA B125.1
 NSF 61 - Section 9
 NSF 372 (Low Lead Content)
 ANSI A117.1 (ADA)
 UL 1951