



T&S BRASS AND BRONZE WORKS, INC.

2 Saddleback Cove / P.O. Box 1088
Travelers Rest, SC 29690

Model No.

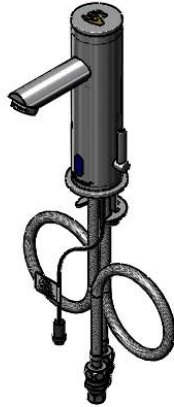
EC-3122

Item No.

Travelers Rest, SC: 800-476-4103 • Simi Valley, CA: 800-423-0150 • Fax: 864-834-3518 • www.tsbrass.com



ADA Compliant



This Space for Architect/Engineer Approval

Job Name _____ Date _____

Model Specified _____ Quantity _____

Customer/Wholesaler _____

Contractor _____

Architect/Engineer _____

Ø 2 9/16"
[65mm]



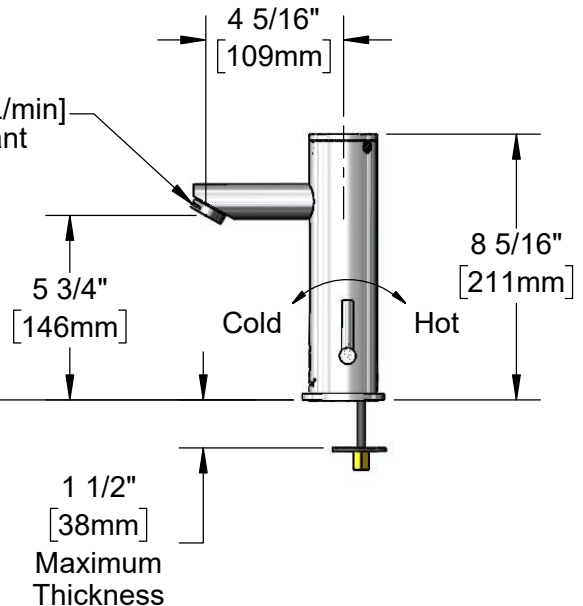
2.2 GPM [8.3 L/min]
Vandal Resistant
Aerator

DC Powered w/
4 "AA" Batteries
Inside Housing

Temperature
Mixing Handle

Internal Above
Deck Electronics
w/ Flow Control
Setting Switches

Mounting
Surface



19" [486mm] Flexible Stainless
Steel Supply Hoses w/ 1/2" NPSM
Swivel Ends & Filter Washers

Check Valve Adapters w/
3/8" Compression (9/16-24 UN) Inlets
& Check Valves

Optional 100-240 VAC Adapter
w/ 71" [1800mm] Power Cord

Rough-In Requirement:
Ø 1 1/2" [38mm] Hole

Product Specifications:

Chrome Plated Brass Above Deck Electronics Faucet:
Single Hole Deck Mount, 2.2 GPM VR Aerator, Above Deck Temperature
Control, Battery or AC Adapter Powered, 19" Stainless Steel Flexible Supply
Hoses & 3/8" Compression Inlets

Product Compliance:

ASME A112.18.1 / CSA B125.1
NSF 61 - Section 9
NSF 372 (Low Lead Content)
ANSI A117.1 (ADA)
UL 1951



T&S BRASS AND BRONZE WORKS, INC.

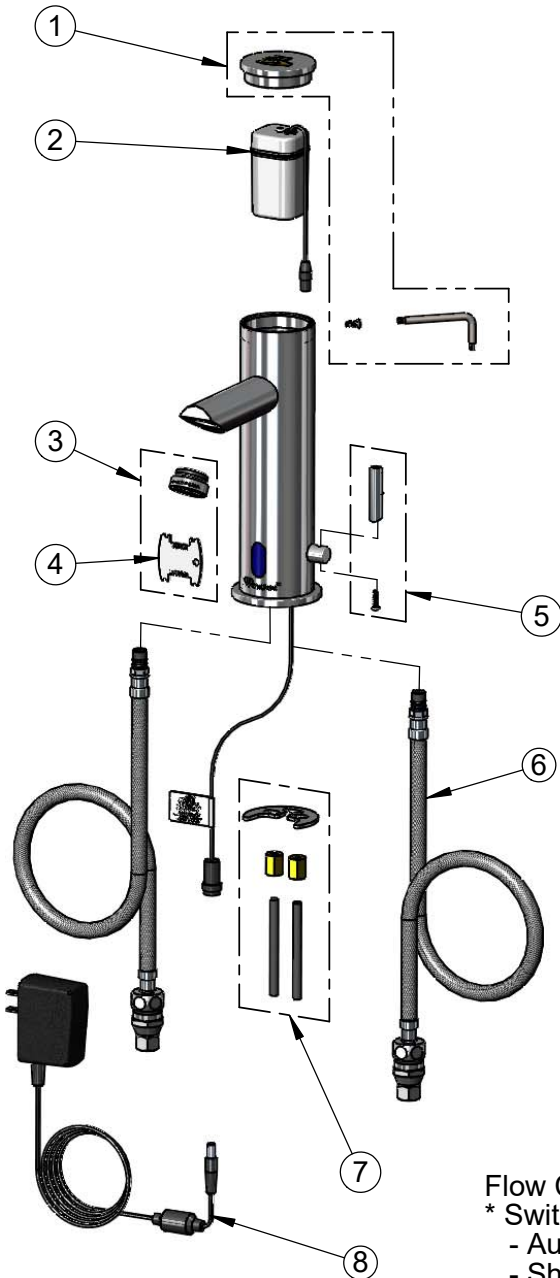
2 Saddleback Cove / P.O. Box 1088
Travelers Rest, SC 29690

Model No.

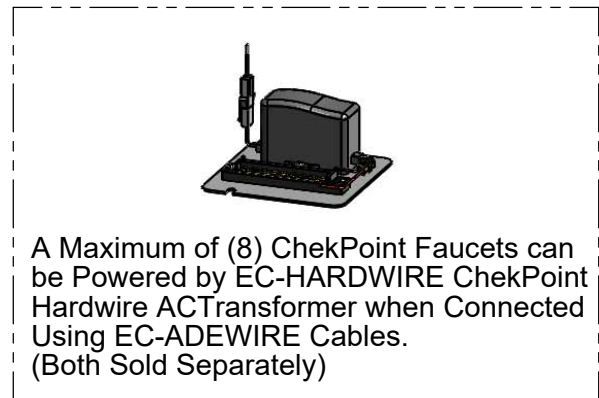
EC-3122

Item No.

Travelers Rest, SC: 800-476-4103 • Simi Valley, CA: 800-423-0150 • Fax: 864-834-3518 • www.tsbrass.com



ITEM NO.	SALES NO.	DESCRIPTION
1	018160-40	Cap, Screw & Wrench Kit
2	018227-45	Battery Holder
3	B-0199-09	2.2 GPM VR Aerator
4	015425-45	Vandal Resistant Key
5	018230-45	Lever Handle w/ Screw
6	018232-45	Flexible Hose w/ Filter Washer & Check Valve Adapter
7	018233-45	Mounting Hardware Kit
8	5EF-0002	Plug-In AC Transformer



Flow Control Switches are Located Beneath the Cap.

* Switches are Set to DEFAULT Position:

- Auto Time Out = 15 Seconds
- Shut Off Delay = 1 Second
- Auto Flush = OFF

* Available Water Flow Control Selections:

- Auto Time Out: 15 sec, 30 sec, 45 sec, 60 sec, 3 min, 20 min
- Shut Off Delay: 1 sec, 10 sec, 15 sec, 30 sec
- Auto Flush (30 Seconds After Every 12 Inactive Hours): ON or OFF

Product Specifications:

Chrome Plated Brass Above Deck Electronics Faucet:
Single Hole Deck Mount, 2.2 GPM VR Aerator, Above Deck Temperature Control, Battery or AC Adapter Powered, 19" Stainless Steel Flexible Supply Hoses & 3/8" Compression Inlets

Product Compliance:

ASME A112.18.1 / CSA B125.1
NSF 61 - Section 9
NSF 372 (Low Lead Content)
ANSI A117.1 (ADA)
UL 1951