



**T&S BRASS AND BRONZE WORKS, INC.**  
 2 Saddleback Cove / P.O. Box 1088  
 Travelers Rest, SC 29690

Model No.

**EC-3122-VF05**

Item No.

Travelers Rest, SC: 800-476-4103 • Simi Valley, CA: 800-423-0150 • Fax: 864-834-3518 • www.tsbrass.com

This Space for Architect/Engineer Approval

Job Name \_\_\_\_\_ Date \_\_\_\_\_

Model Specified \_\_\_\_\_ Quantity \_\_\_\_\_

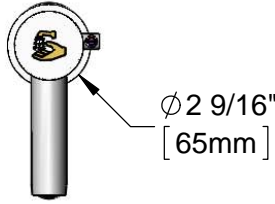
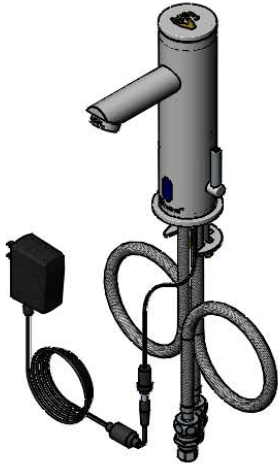
Customer/Wholesaler \_\_\_\_\_

Contractor \_\_\_\_\_

Architect/Engineer \_\_\_\_\_



**ADA Compliant**



Ø 2 9/16"  
[65mm]

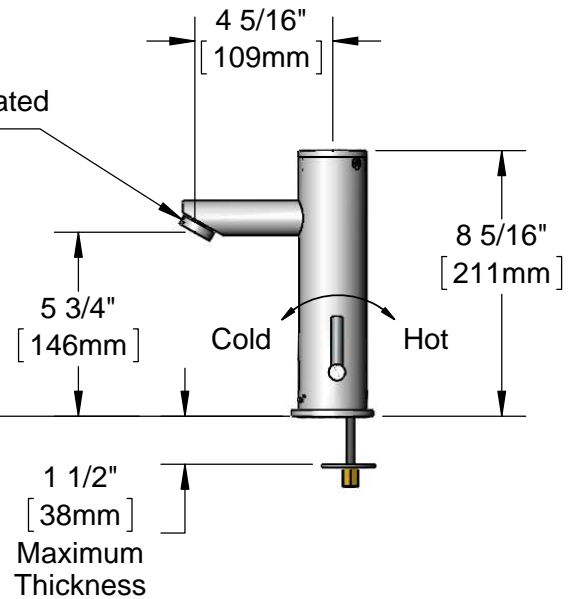
B-0199-09-N05  
VR 0.5 GPM Non-Aerated  
Spray Device

DC Powered w/  
4 "AA" Batteries  
Inside Housing

Temperature  
Mixing Handle

Internal Above  
Deck Electronics  
w/ Flow Control  
Setting Switches

Mounting  
Surface



19" [486mm] Flexible Stainless  
Steel Supply Hoses w/1/2" NPSM  
Swivel Ends & Filter Washers

Check Valve Adapters w/  
3/8" Compression (9/16-24 UN) Inlets  
& Check Valves

Optional 100-240 VAC Adapter w/  
71" [1800mm] Power Cord

Rough-In Requirement:  
Ø 1 1/2" [38mm] Mounting Hole

Product Specifications:

Chrome Plated Brass Above Deck Electronics Faucet, Single Hole Deck Mount, VR 0.5 GPM Non-Aerated Spray Device, Above Deck Temperature Control, Battery or AC Adapter Powered, 19" Stainless Steel Flexible Supply Hoses & 3/8" Comp. Inlets

Product Compliance:

ASME A112.18.1 / CSA B125.1  
NSF 61 - Section 9  
NSF 372 (Low Lead Content)  
ANSI A117.1 (ADA)  
UL 1951



# T&S BRASS AND BRONZE WORKS, INC.

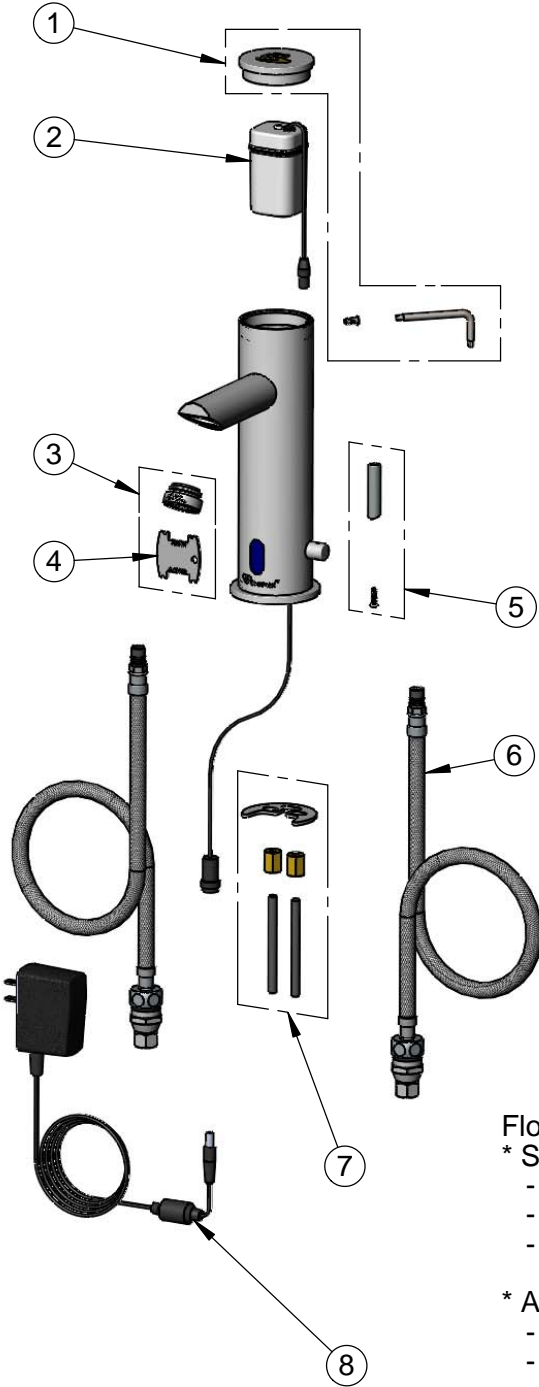
2 Saddleback Cove / P.O. Box 1088  
Travelers Rest, SC 29690

Model No.

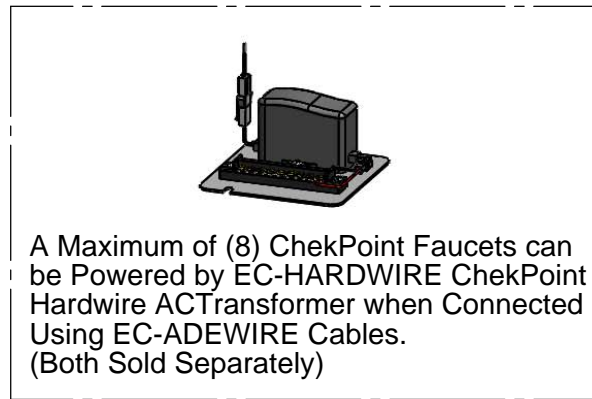
**EC-3122-VF05**

Item No.

Travelers Rest, SC: 800-476-4103 • Simi Valley, CA: 800-423-0150 • Fax: 864-834-3518 • www.tsbrass.com



ITEM NO.	SALES NO.	DESCRIPTION
1	018160-40	Cap, Screw & Wrench Kit
2	018227-45	Battery Holder
3	B-0199-09-N05	VR 0.5 GPM Non-Aerated Spray Device, 15/16-27 UN Male w/ Key
4	015425-45	VR Aerator Key
5	018230-45	Lever Handle w/ Screw
6	018232-45	Flexible Stainless Steel Hose w/ Filter Washer & Check Valve Adapter
7	018233-45	Mounting Hardware Kit
8	5EF-0002	AC Transformer



Flow Control Switches are Located Beneath the Cap.

\* Switches are Set to DEFAULT Position:

- Auto Time Out = 15 Seconds
- Shut Off Delay = 1 Second
- Auto Flush = OFF

\* Available Water Flow Control Selections:

- Auto Time Out: 15 sec, 30 sec, 45 sec, 60 sec, 3 min, 20 min
- Shut Off Delay: 1 sec, 10 sec, 15 sec, 30 sec
- Auto Flush (30 Seconds After Every 12 Inactive Hours): ON or OFF

**Product Specifications:**

Chrome Plated Brass Above Deck Electronics Faucet, Single Hole Deck Mount, VR 0.5 GPM Non-Aerated Spray Device, Above Deck Temperature Control, Battery or AC Adapter Powered, 19" Stainless Steel Flexible Supply Hoses & 3/8" Comp. Inlets

**Product Compliance:**

ASME A112.18.1 / CSA B125.1  
NSF 61 - Section 9  
NSF 372 (Low Lead Content)  
ANSI A117.1 (ADA)  
UL 1951