



T&S BRASS AND BRONZE WORKS, INC.
 2 Saddleback Cove / P.O. Box 1088
 Travelers Rest, SC 29690

Model No.
EC-3106-VF5-TMV

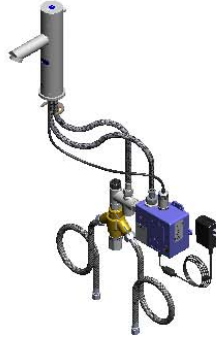
Item No.

Travelers Rest, SC: 800-476-4103 • Simi Valley, CA: 800-423-0150 • Fax: 864-834-3518 • www.tsbrass.com



ADA Compliant

(Automatic Electronic Operation Only)



This Space for Architect/Engineer Approval

Job Name _____ Date _____

Model Specified _____ Quantity _____

Customer/Wholesaler _____

Contractor _____

Architect/Engineer _____

Ø 2 1/4"
 [58mm]
 Base

1 9/16"
 [39mm]

Single Hole Deck Spout w/
 Manual Bypass Operation &
 B-0199-09-N05
 VR 0.5 GPM Non-Aerated
 Spray Device

24" [610mm] Long Flexible
 Stainless Steel Connector Hoses.
 Bypass has 3/8" NPSM Swivel
 Module has 1/2" NPSM Swivel

Mounting Surface

24" [610mm]
 Sensor Cable

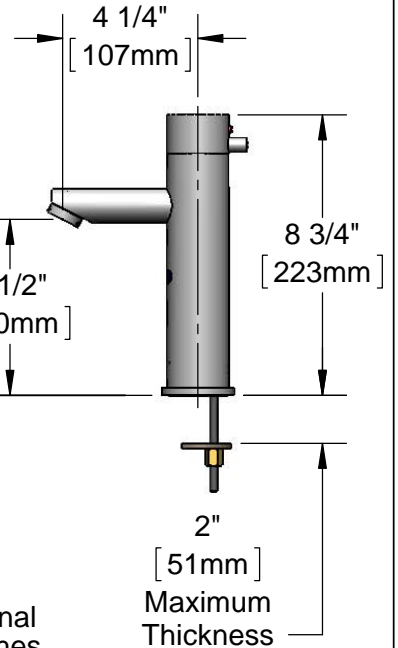
Removable
 Strainer

EC-TMV
 ASSE 1070
 Thermostatic
 Temperature
 Mixing Valve w/
 Check Valves

3 5/8" x 4 3/16" x 2" Deep
 [92mm x 106mm x 51mm]
 Water Resistant Control
 Module Box (Blue) w/ Internal
 Flow Control Setting Switches,
 AC or DC Operated w/ (4) AA
 Batteries. Hardwire Capable
 Using Terminals on Back

100-240 VAC Adapter w/
 71" [1800mm] Power Cord.
 (Remove Rubber Plugs on
 Module and Cable to Connect)

(2) 3/8" Compression x 1/2" NPSM
 18" [457mm] Flexible Stainless Steel
 Supply Hose



Rough-In Requirement:
 Ø 1 1/4" [32mm] Mounting Hole

Product Specifications:
 Chrome Plated Brass Electronic Faucet: Single Hole Deck Spout w/ VR 0.5 GPM Non-Aerated Spray Device, Manual Bypass, AC/DC Control Module w/ Internal Flow Control Setting Switches, Thermostatic Temperature Control Mixing Valve & 18" Flexible Stainless Steel Supply Hoses

Product Compliance:
 ASME A112.18.1 / CSA B125.1
 NSF 61 - Section 9
 NSF 372 (Low Lead Content)
 ANSI A117.1 (ADA)
 UL 1951
 ASSE 1070 (TMV)



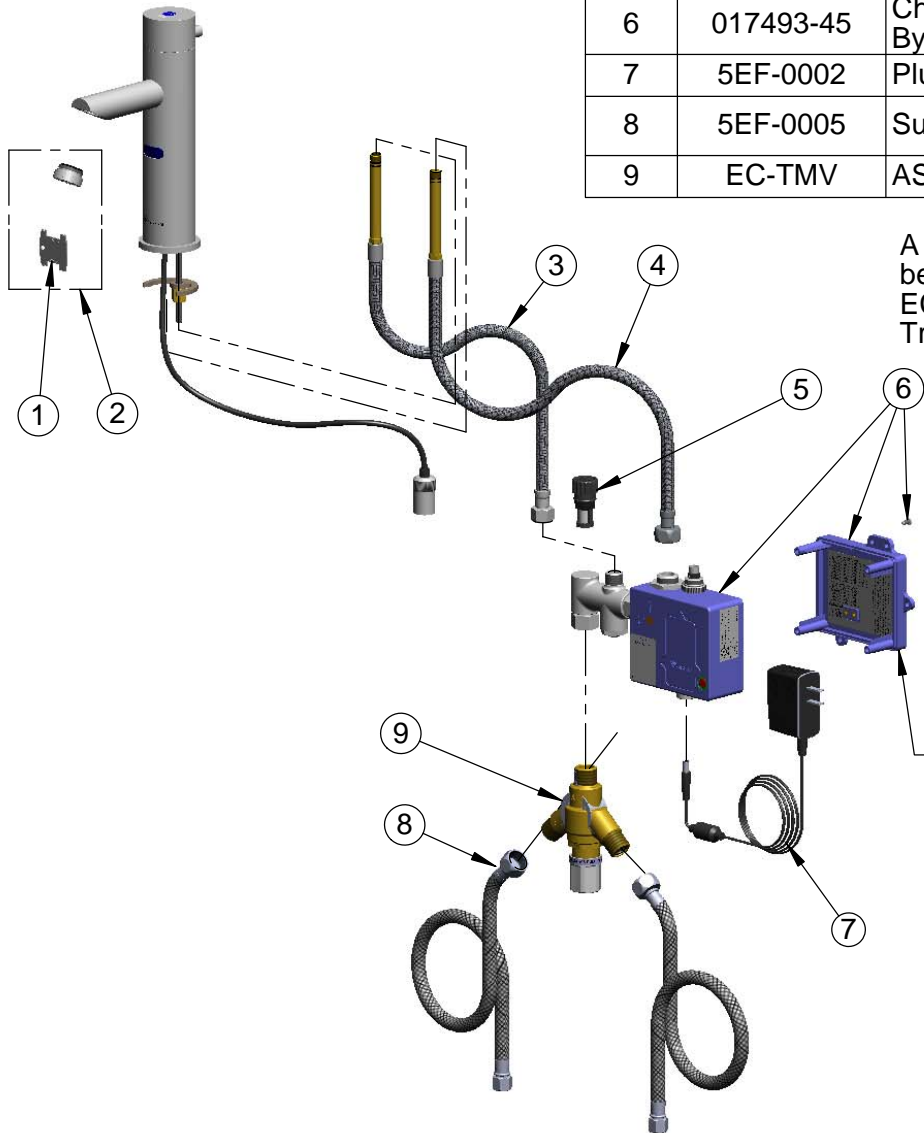
T&S BRASS AND BRONZE WORKS, INC.
 2 Saddleback Cove / P.O. Box 1088
 Travelers Rest, SC 29690

Model No.
EC-3106-VF5-TMV

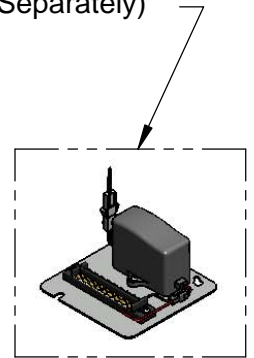
Item No.

Travelers Rest, SC: 800-476-4103 • Simi Valley, CA: 800-423-0150 • Fax: 864-834-3518 • www.tsbrass.com

| ITEM NO. | SALES NO. | DESCRIPTION |
|----------|---------------|--|
| 1 | 015425-45 | Vandal Resistant Key |
| 2 | B-0199-09-N05 | VR 0.5 GPM Non-Aerated Spray Device, 15/16-27 UN Male w/ Key |
| 3 | 019062-45 | Connector Hose, M10 Male x 3/8" NPSM |
| 4 | 019061-45 | Connector Hose, M10 Male x 1/2" NPSM |
| 5 | EC-FILTER | Replacement Filter |
| 6 | 017493-45 | ChekPoint Electronic Module (Blue) w/ Bypass Tee |
| 7 | 5EF-0002 | Plug-In A/C Transformer |
| 8 | 5EF-0005 | Supply Hose, 9/16-24 Female x 1/2" NPSM |
| 9 | EC-TMV | ASSE 1070 Thermostatic Mixing Valve |



A Maximum of (8) ChekPoint Faucets can be Hardwire Connected and Powered by EC-HARDWIRE ChekPoint Hardwire AC Transformer. (Sold Separately)



Label for Flow Control Switch Settings is Located on Inside of Back Cover.

Flow Control Switches are Located Inside Module Housing in Black Box Next to Battery Compartment.
 *Switches are Set to DEFAULT Position:
 - Auto Time Out = 15 Seconds
 - Shut Off Delay = 1 Second
 - Auto Flush = OFF

Remove (4) Screws and Back Cover to Access Switches.

- *Available Water Flow Control Selections:
- Auto Time Out: 15 sec, 30 sec, 45 sec, 60 sec, 3 min, 20 min
 - Shut Off Delay: 1 sec, 10 sec, 15 sec, 30 sec
 - Auto Flush (30 Seconds After Every 12 Inactive Hours): ON or OFF

Product Specifications:
 Chrome Plated Brass Electronic Faucet: Single Hole Deck Spout w/ VR 0.5 GPM Non-Aerated Spray Device, Manual Bypass, AC/DC Control Module w/ Internal Flow Control Setting Switches, Thermostatic Temperature Control Mixing Valve & 18" Flexible Stainless Steel Supply Hoses

Product Compliance:
 ASME A112.18.1 / CSA B125.1
 NSF 61 - Section 9
 NSF 372 (Low Lead Content)
 ANSI A117.1 (ADA)
 UL 1951
 ASSE 1070 (TMV)