



# T&S BRASS AND BRONZE WORKS, INC.

2 Saddleback Cove / P.O. Box 1088  
Travelers Rest, SC 29690

Model No.

**EC-3106-HG**

Item No.

Travelers Rest, SC: 800-476-4103 • Simi Valley, CA: 800-423-0150 • Fax: 864-834-3518 • www.tsbrass.com

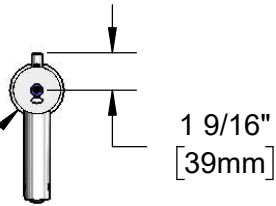


## ADA Compliant

(Automatic Electronic Operation Only)



Ø 2 1/4"  
[58mm]  
Base



This Space for Architect/Engineer Approval

Job Name \_\_\_\_\_ Date \_\_\_\_\_

Model Specified \_\_\_\_\_ Quantity \_\_\_\_\_

Customer/Wholesaler \_\_\_\_\_

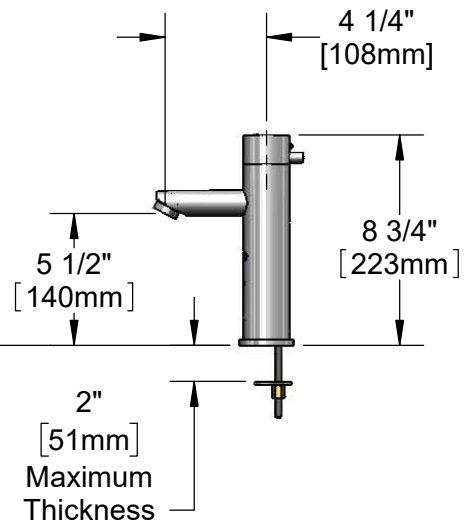
Contractor \_\_\_\_\_

Architect/Engineer \_\_\_\_\_

Single Hole Deck Spout  
w/ 2.2 GPM [8.3 L/min]  
Vandal Resistant Aerator  
and Manual Bypass Operation

24" [610mm] Long Flexible  
Stainless Steel Connector Hoses.  
Bypass has 3/8" NPSM Swivel  
Module has 1/2" NPSM Swivel

Mounting Surface



Removable  
Strainer

Hydro-Generator  
Power Supply.  
No AA Batteries  
or AC Adapter  
Needed to Supply  
Power to Faucet

Temperature Mixing  
Valve w/ Check  
Valves

24" [610mm]  
Sensor  
Cable

3 5/8" x 4 3/16" x 2" Deep  
[92mm x 106mm x 51mm]  
Water Resistant Control Module  
Box (Blue) w/ Internal Flow Control  
Setting Switches, AC or DC operated  
w/ (4) AA Batteries. Hardwire Capable  
Using Terminals on Back

Optional 100-240 VAC Adapter  
w/ 71" [1800mm] Power Cord.  
(Remove Rubber Plugs on Module  
and Cable to Connect (Included)

(2) 3/8" Compression x 1/2" NPSM  
18" [457mm] Flexible Stainless  
Steel Supply Hose

Rough-In Requirement:  
Ø 1 1/4" [32mm] Mounting Hole

### Product Specifications:

Chrome Plated Brass Electronic Faucet: Single Hole Deck Spout w/ VR Aerator & Manual Bypass, AC/DC Control Module w/ Internal Flow Control Setting Switches, Temperature Control Mixing Valve w/ Check Valves, Hydro-Generator & 18" Flexible Supply Hoses

### Product Compliance:

ASME A112.18.1 / CSA B125.1  
NSF 61 - Section 9  
NSF 372 (Low Lead Content)  
ANSI A117.1 (ADA)  
UL 1951



# T&S BRASS AND BRONZE WORKS, INC.

2 Saddleback Cove / P.O. Box 1088  
Travelers Rest, SC 29690

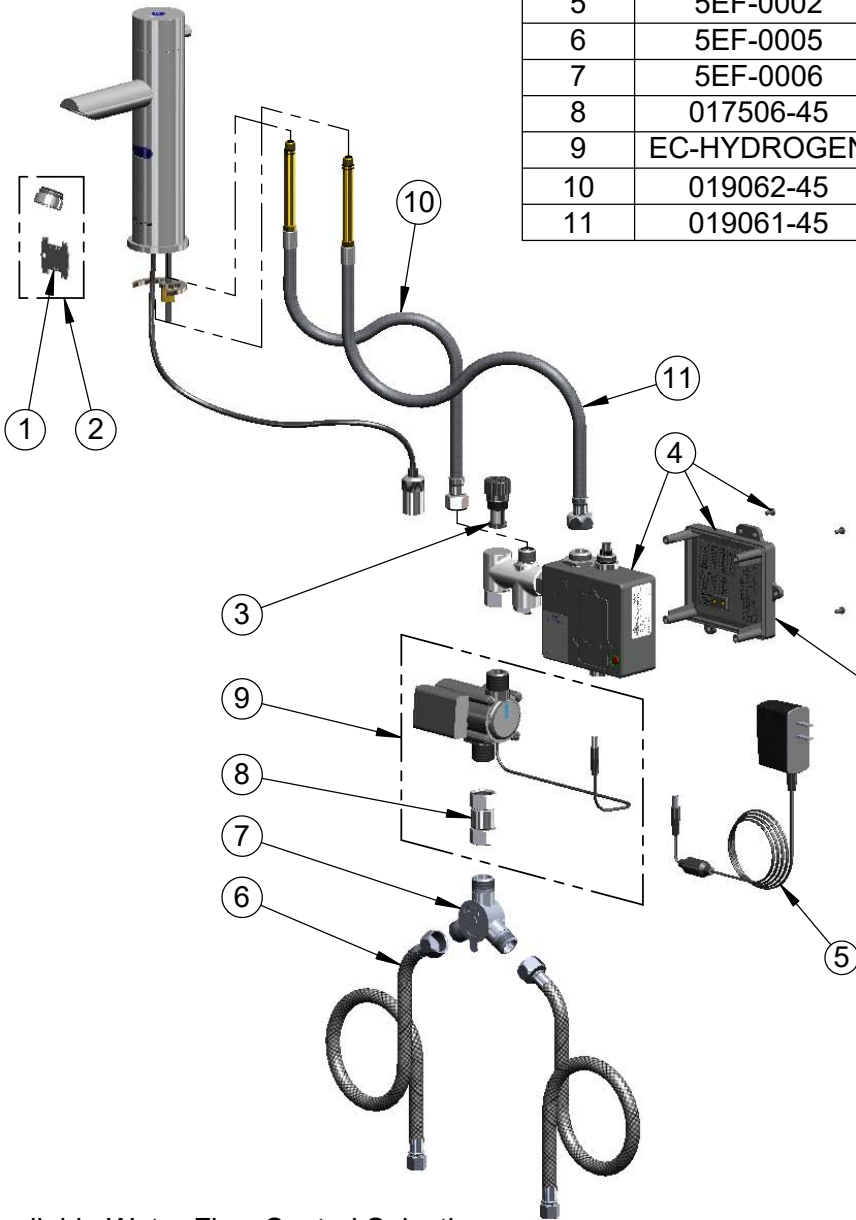
Model No.

**EC-3106-HG**

Item No.

Travelers Rest, SC: 800-476-4103 • Simi Valley, CA: 800-423-0150 • Fax: 864-834-3518 • www.tsbrass.com

ITEM NO.	SALES NUMBER	DESCRIPTION
1	015425-45	Vandal Resistant Key
2	B-0199-09	VR 2.2 GPM Aerator w/ Key
3	EC-FILTER	Replacement Filter
4	017493-45	ChekPoint Module (Blue) w/ Bypass Tee
5	5EF-0002	Plug-In A/C Transformer
6	5EF-0005	Supply Hose, 9/16-24 Female X 1/2" NPSM
7	5EF-0006	Manual Mixing Valve
8	017506-45	1/2" NPSM Swivel Coupling
9	EC-HYDROGEN	Hydro-Generator and Swivel Coupling
10	019062-45	Connector Hose, M10 Male x 3/8" NPSM
11	019061-45	Connector Hose, M10 Male x 1/2" NPSM



Label for Flow Control Switch Settings is Located on Inside of Back Cover.

Flow Control Switches are Located Inside Module Housing in Black Box Next to Battery Compartment.  
\*Switches are Set to DEFAULT Position:  
- Auto Time Out = 15 Seconds  
- Shut Off Delay = 1 Second  
- Auto Flush = OFF

Remove (4) Screws and Back Cover to Access Switches.

**\*Available Water Flow Control Selections:**

- Auto Time Out: 15 sec, 30 sec, 45 sec, 60 sec, 3 min, 20 min
- Shut Off Delay: 1 sec, 10 sec, 15 sec, 30 sec
- Auto Flush (30 Seconds After Every 12 Inactive Hours): ON or OFF

**Product Specifications:**

Chrome Plated Brass Electronic Faucet: Single Hole Deck Spout w/ VR Aerator & Manual Bypass, AC/DC Control Module w/ Internal Flow Control Setting Switches, Temperature Control Mixing Valve w/ Check Valves, Hydro-Generator & 18" Flexible Supply Hoses

**Product Compliance:**

ASME A112.18.1 / CSA B125.1  
NSF 61 - Section 9  
NSF 372 (Low Lead Content)  
ANSI A117.1 (ADA)  
UL 1951