



T&S BRASS AND BRONZE WORKS, INC.

2 Saddleback Cove / P.O. Box 1088
Travelers Rest, SC 29690

Model No.

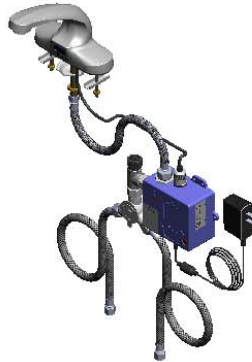
EC-3103-VF05

Item No.

Travelers Rest, SC: 800-476-4103 • Simi Valley, CA: 800-423-0150 • Fax: 864-834-3518 • www.tsbrass.com



ADA Compliant



This Space for Architect/Engineer Approval

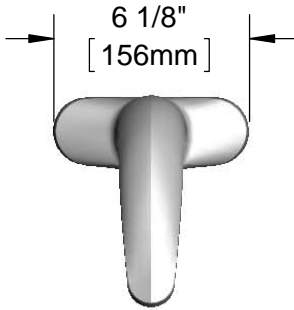
Job Name _____ Date _____

Model Specified _____ Quantity _____

Customer/Wholesaler _____

Contractor _____

Architect/Engineer _____



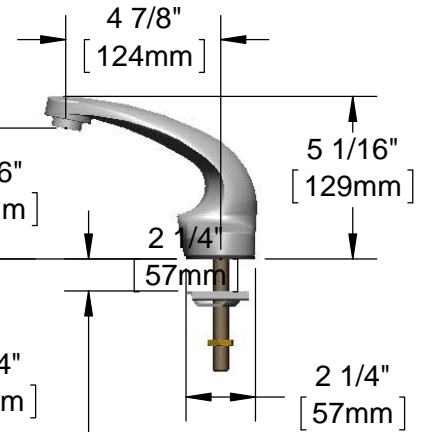
6 1/8"
[156mm]

Solid Cast Brass Spout
w/ Polish Chrome Plated
Finish and 0.5 GPM VR
Spray Device w/ Key

24" [610mm]
Sensor Cable

Removable
Strainer

3 5/8" x 4 3/16" x 2" Deep
[92mm x 106mm x 51mm]
Water Resistant Control Module Box (Blue)
w/ Internal Flow Control Setting Switches,
AC or DC Operated w/ (4) AA Batteries.
Hardwire Capable Using Terminals on Back



Mounting
Surface

2 1/4"
[57mm]
Maximum
Thickness

4"
[102mm]

1/2" NPSM x 1/4" NPSM
18" [457mm] Flexible
Stainless Steel Hose

100-240 VAC Adapter
w/ 71" [1800mm]
Power Cord. (Remove
Rubber Plugs on Module
and Cable to Connect)

(2) 3/8" Compression x 1/2" NPSM
18" [457mm] Flexible Stainless
Steel Supply Hose

Temperature Mixing Valve
w/ Check Valves

Rough-In Requirement:

- (1) Ø 1" [25mm] Center Shank Mounting Hole &
- (2) 1/2" [13mm] Mounting Stud Holes (on 4" Centers)

Product Specifications:

Chrome Plated Brass Electronic Faucet: 4" Deck Mt. Spout w/ VR 0.5 GPM Non-Aerated Spray Device, AC/DC Control Module w/ Internal Flow Control Setting Switches, Temperature Control Mixing Valve w/ Check Valve & 18" Flexible Stainless Steel Supply Hoses

Product Compliance:

ASME A112.18.1 / CSA B125.1
NSF 61 - Section 9
NSF 372 (Low Lead Content)
ANSI A117.1 (ADA)
UL 1951



T&S BRASS AND BRONZE WORKS, INC.

2 Saddleback Cove / P.O. Box 1088
Travelers Rest, SC 29690

Model No.

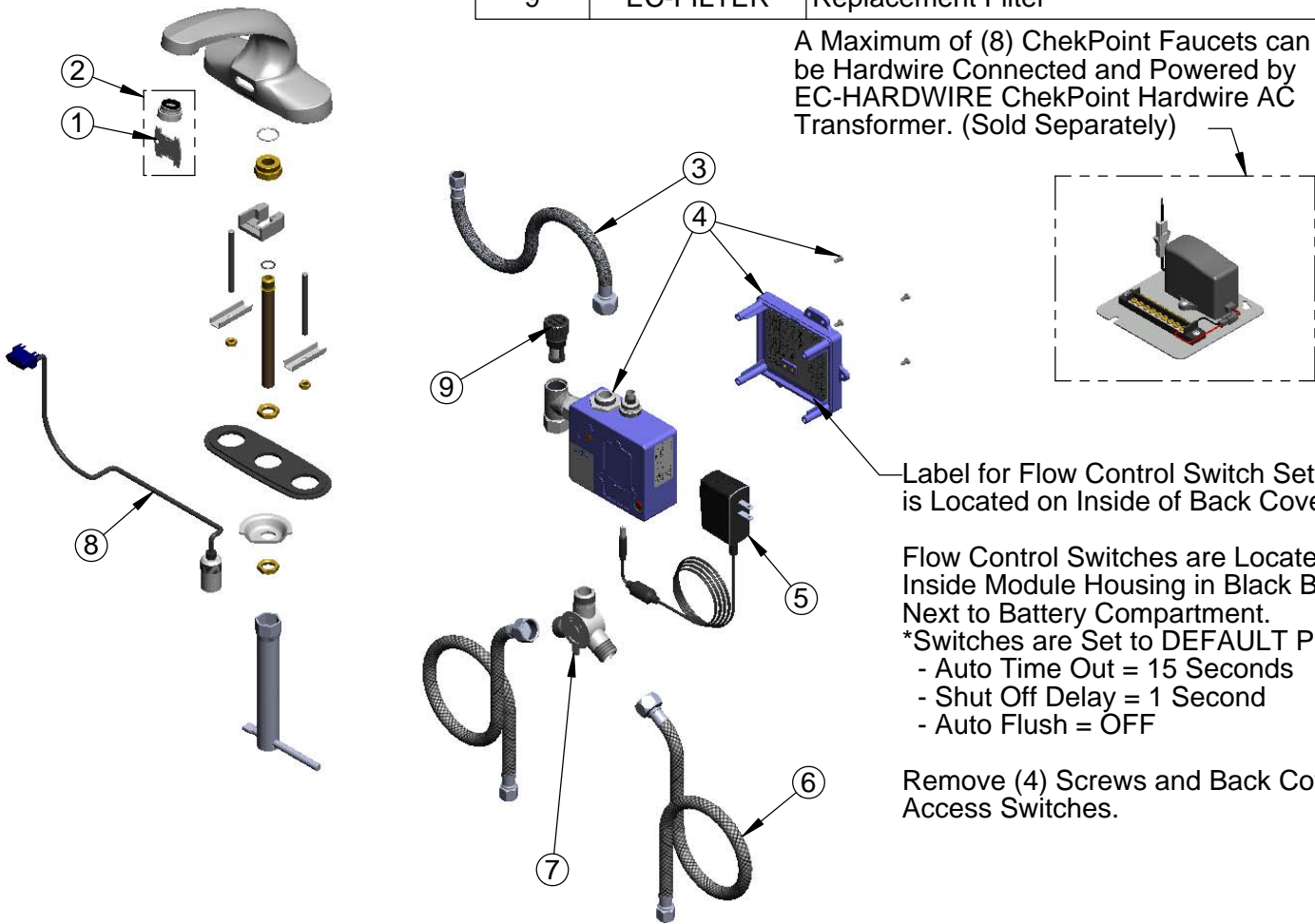
EC-3103-VF05

Item No.

Travelers Rest, SC: 800-476-4103 • Simi Valley, CA: 800-423-0150 • Fax: 864-834-3518 • www.tsbrass.com

ITEM NO.	SALES NO.	DESCRIPTION
1	015425-45	Vandal Resistant Key
2	B-0199-08-N05	0.5 GPM VR Spray Device, 13/16-27 Male
3	016297-45	Inlet Hose, Faucet, 1/2" NPSM-F x 1/4" NPSM-F
4	016647-45	ChekPoint Electronic Module (Blue)
5	5EF-0002	A/C Transformer
6	5EF-0005	Supply Hose, 9/16-24 Female x 1/2" NPSM
7	5EF-0006	Mechanical Mixing Valve
8	017195-45	Angled Sensor w/ Cable
9	EC-FILTER	Replacement Filter

A Maximum of (8) ChekPoint Faucets can be Hardwire Connected and Powered by EC-HARDWIRE ChekPoint Hardwire AC Transformer. (Sold Separately)



Label for Flow Control Switch Settings is Located on Inside of Back Cover.

Flow Control Switches are Located Inside Module Housing in Black Box Next to Battery Compartment.

*Switches are Set to DEFAULT Position:

- Auto Time Out = 15 Seconds
- Shut Off Delay = 1 Second
- Auto Flush = OFF

Remove (4) Screws and Back Cover to Access Switches.

***Available Water Flow Control Selections:**

- Auto Time Out: 15 sec, 30 sec, 45 sec, 60 sec, 3 min, 20 min
- Shut Off Delay: 1 sec, 10 sec, 15 sec, 30 sec
- Auto Flush (30 Seconds After Every 12 Inactive Hours): ON or OFF

Product Specifications:

Chrome Plated Brass Electronic Faucet: 4" Deck Mt. Spout w/ VR 0.5 GPM Non-Aerated Spray Device, AC/DC Control Module w/ Internal Flow Control Setting Switches, Temperature Control Mixing Valve w/ Check Valve & 18" Flexible Stainless Steel Supply Hoses

Product Compliance:

ASME A112.18.1 / CSA B125.1
NSF 61 - Section 9
NSF 372 (Low Lead Content)
ANSI A117.1 (ADA)
UL 1951