



T&S BRASS AND BRONZE WORKS, INC.

2 Saddleback Cove / P.O. Box 1088
Travelers Rest, SC 29690

Model No.

EC-3103-LMV

Item No.

Travelers Rest, SC: 800-476-4103 • Simi Valley, CA: 800-423-0150 • Fax: 864-834-3518 • www.tsbrass.com



ADA Compliant



This Space for Architect/Engineer Approval

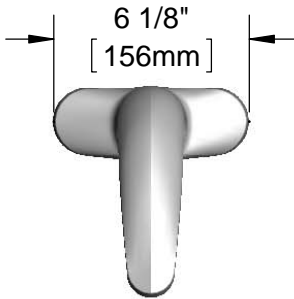
Job Name _____ Date _____

Model Specified _____ Quantity _____

Customer/Wholesaler _____

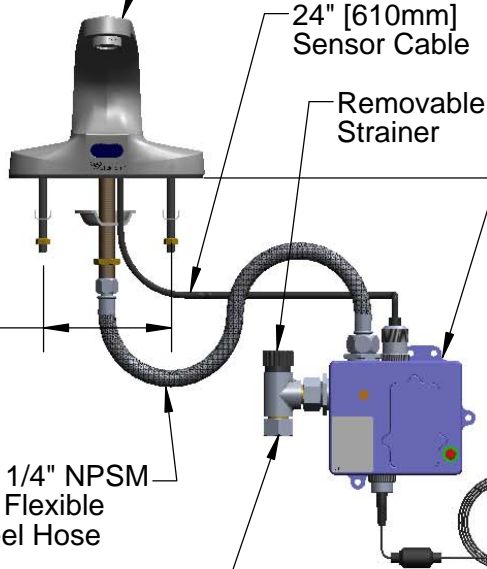
Contractor _____

Architect/Engineer _____



Solid Cast Brass Spout
w/ Polish Chrome Plated Finish
and 2.2 GPM [8.3L/min]
Vandal Resistant Aerator

3 5/8" x 4 3/16" x 2" Deep
[92mm x 106mm x 51mm]
Water Resistant Control Module Box (Blue)
w/ Internal Flow Control Setting Switches,
AC or DC Operated w/ (4) AA Batteries.
Hardwire Capable Using Terminals on Back



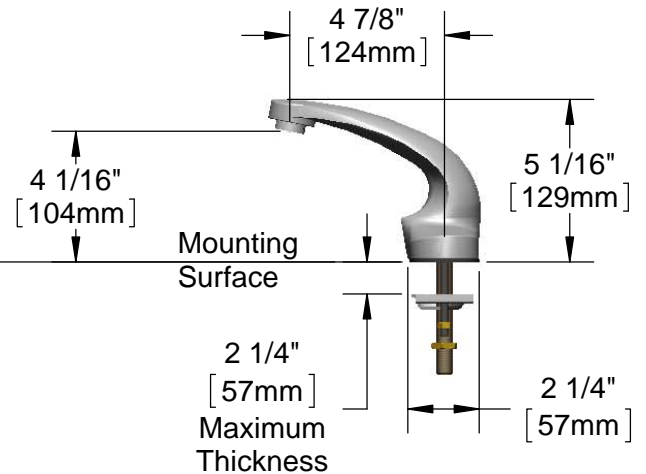
24" [610mm]
Sensor Cable

Removable
Strainer

4"
[102mm]

1/2" NPSM x 1/4" NPSM
18" [457mm] Flexible
Stainless Steel Hose

1/2" NPSM Swivel Nut Inlet
(Female)



Mounting
Surface

2 1/4"
[57mm]
Maximum
Thickness

100-240 VAC Adapter
w/ 71" [1800mm] Power
Cord. (Remove Rubber
Plugs on Module and
Cable to Connect)

Rough-In Requirement:

- (1) ϕ 1" [25mm] Center Shank Mounting Hole
- (2) ϕ 1/2" [13mm] Mounting Stud Holes (on 4" Centers)

Product Specifications:

Chrome Plated Brass Electronic Faucet: 4" Deck Mount Spout
w/ VR Aerator, AC/DC Control Module w/ Internal Flow Control
Setting Switches

Product Compliance:

ASME A112.18.1 / CSA B125.1
NSF 61 - Section 9
NSF 372 (Low Lead Content)
ANSI A117.1 (ADA)
UL 1951



T&S BRASS AND BRONZE WORKS, INC.

2 Saddleback Cove / P.O. Box 1088
Travelers Rest, SC 29690

Model No.

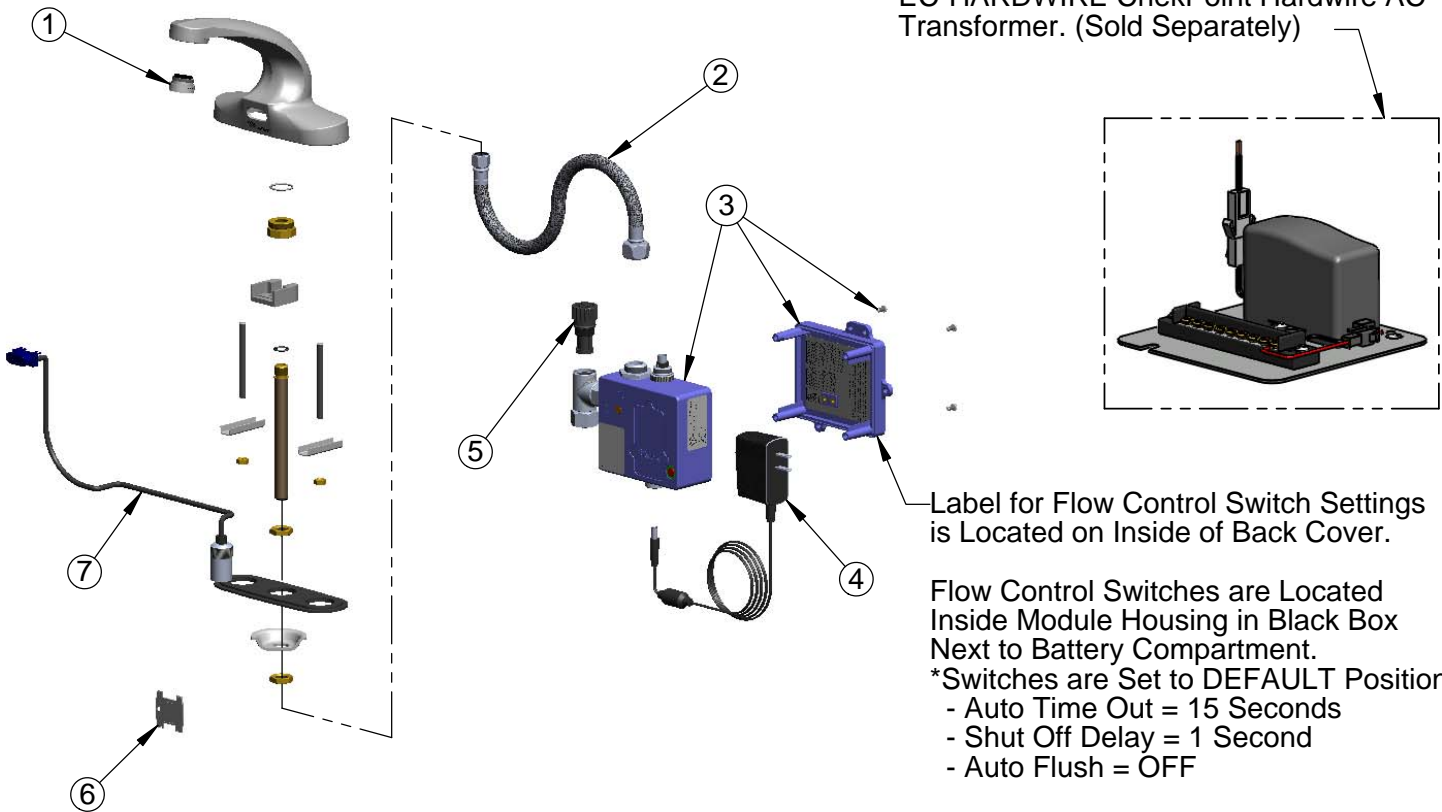
EC-3103-LMV

Item No.

Travelers Rest, SC: 800-476-4103 • Simi Valley, CA: 800-423-0150 • Fax: 864-834-3518 • www.tsbrass.com

ITEM NO.	SALES NO.	DESCRIPTION
1	B-0199-08	VR 2.2 GPM Aerator, 13/16-27 UN Male w/ Key
2	016297-45	Inlet Hose, Faucet, 1/2" NPSM-F x 1/4" NPSM-F
3	016647-45	ChekPoint Module (Blue)
4	5EF-0002	Plug-In A/C Transformer
5	EC-FILTER	Replacement Filter
6	015425-45	Vandal Resistant Key
7	017195-45	Angled Sensor w/ Cable

A Maximum of (8) ChekPoint Faucets can be Hardwire Connected and Powered by EC-HARDWIRE ChekPoint Hardwire AC Transformer. (Sold Separately)



Label for Flow Control Switch Settings is Located on Inside of Back Cover.

Flow Control Switches are Located Inside Module Housing in Black Box Next to Battery Compartment.
*Switches are Set to DEFAULT Position:
- Auto Time Out = 15 Seconds
- Shut Off Delay = 1 Second
- Auto Flush = OFF

Remove (4) Screws and Back Cover to Access Switches.

***Available Water Flow Control Selections:**

- Auto Time Out: 15 sec, 30 sec, 45 sec, 60 sec, 3 min, 20 min
- Shut Off Delay: 1 sec, 10 sec, 15 sec, 30 sec
- Auto Flush (30 Seconds After Every 12 Inactive Hours): ON or OFF

Product Specifications:

Chrome Plated Brass Electronic Faucet: 4" Deck Mount Spout w/ VR Aerator, AC/DC Control Module w/ Internal Flow Control Setting Switches

Product Compliance:

ASME A112.18.1 / CSA B125.1
NSF 61 - Section 9
NSF 372 (Low Lead Content)
ANSI A117.1 (ADA)
UL 1951