



**T&S BRASS AND BRONZE WORKS, INC.**  
 2 Saddleback Cove / P.O. Box 1088  
 Travelers Rest, SC 29690

Model No.  
**EC-3101-TMV**

Item No.

Travelers Rest, SC: 800-476-4103 • Simi Valley, CA: 800-423-0150 • Fax: 864-834-3518 • www.tsbrass.com



**ADA Compliant**



This Space for Architect/Engineer Approval

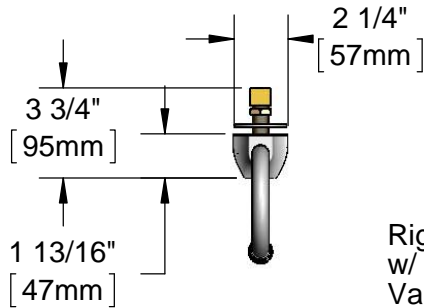
Job Name \_\_\_\_\_ Date \_\_\_\_\_

Model Specified \_\_\_\_\_ Quantity \_\_\_\_\_

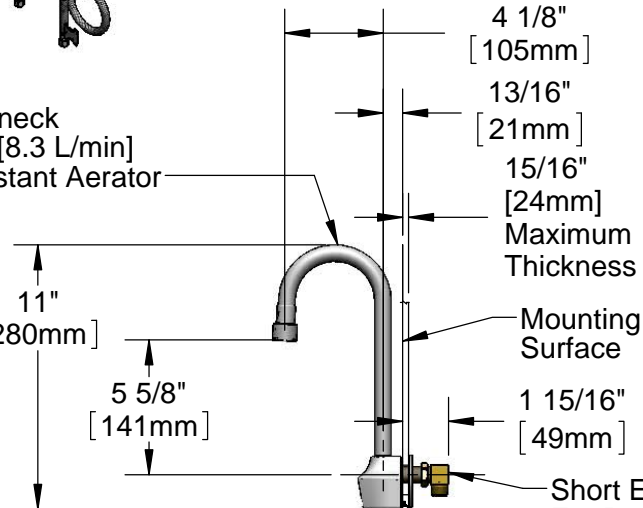
Customer/Wholesaler \_\_\_\_\_

Contractor \_\_\_\_\_

Architect/Engineer \_\_\_\_\_



Rigid Gooseneck  
 w/ 2.2 GPM [8.3 L/min]  
 Vandal Resistant Aerator



Short Elbow For Restricted Space Installations

Unscrew Set Screw in Body to Desired Height for Anti-rotation Feature. (See Mounting Hole Detail)

1/2" NPSM x 3/8" NPSM  
 30" [762mm] Flexible  
 Stainless Steel Hose

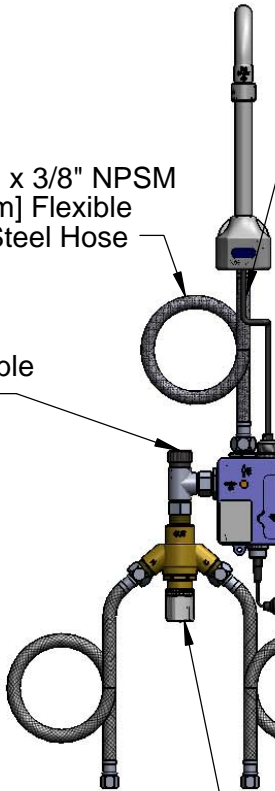
24" [610mm]  
 Sensor Cable

3 5/8" x 4 3/16" x 2" Deep  
 [92mm x 106mm x 51mm]  
 Water Resistant Control Module Box (Blue)  
 w/ Internal Flow Control Setting Switches  
 AC or DC Operated w/ (4) AA Batteries.  
 Hardwire Capable Using Terminals on Back.

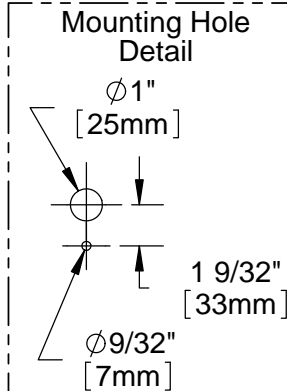
100-240 VAC Adapter  
 w/ 71" [1800mm] Power  
 Cord. (Remove Rubber  
 Plugs on Module and  
 Cable to Connect)

(2) 3/8" Compression x 1/2" NPSM  
 18" [457mm] Flexible Stainless Steel  
 Supply Hose

Removable  
 Strainer



EC-TMV  
 ASSE 1070 Thermostatic Temperature  
 Mixing Valve w/ Check Valves



**Product Specifications:**

Chrome Plated Brass Electronic Faucet:  
 Wall Mt. Rigid Gooseneck w/ VR Aerator, AC/DC Control Module  
 w/ Internal Flow Control Setting Switches, Thermostatic  
 Temperature Control Mixing Valve w/ Check Valves,  
 18" Hot & Cold Supply Stop Flexible Connector Hoses

**Product Compliance:**

ASME A112.18.1 / CSA B125.1  
 NSF 61 - Section 9  
 NSF 372 (Low Lead Content)  
 ANSI A117.1 (ADA)  
 UL 1951  
 ASSE 1070 (TMV)



# T&S BRASS AND BRONZE WORKS, INC.

2 Saddleback Cove / P.O. Box 1088  
Travelers Rest, SC 29690

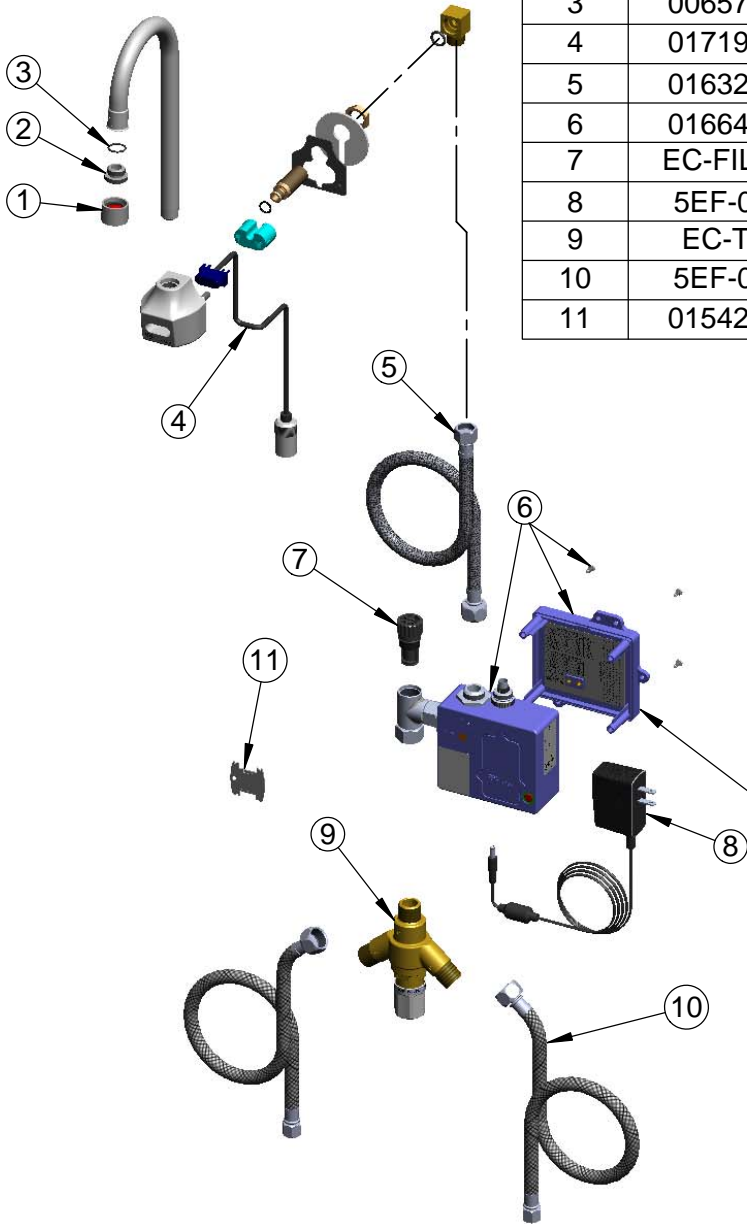
Model No.

**EC-3101-TMV**

Item No.

Travelers Rest, SC: 800-476-4103 • Simi Valley, CA: 800-423-0150 • Fax: 864-834-3518 • www.tsbrass.com

ITEM NO.	SALES NO.	DESCRIPTION
1	B-0199-06	VR Aerator w/ Key
2	044A	3/8" to Aerator Adapter
3	006575-45	-015 O-Ring
4	017195-45	Angled Sensor w/ Cable
5	016325-45	Inlet Hose, Faucet, 1/2" NPSM-F x 3/8" NPSM-F
6	016647-45	ChekPoint Module (Blue)
7	EC-FILTER	Replacement Filter
8	5EF-0002	A/C Transformer
9	EC-TMV	ASSE 1070 Thermostatic Mixing Valve
10	5EF-0005	Supply Hose, 9/16-24 Female x 1/2" NPSM
11	015425-45	Vandal Resistant Key



A Maximum of (8) ChekPoint Faucets can be Hardwire Connected and Powered by EC-HARDWIRE ChekPoint Hardwire AC Transformer. (Sold Separately)



Label for Flow Control Switch Settings is Located on Inside of Back Cover.

Flow Control Switches are Located Inside Module Housing in Black Box Next to Battery Compartment.

\*Switches are Set to DEFAULT Position:

- Auto Time Out = 15 Seconds
- Shut Off Delay = 1 Second
- Auto Flush = OFF

Remove (4) Screws and Back Cover to Access Switches.

**\*Available Water Flow Control Selections:**

- Auto Time Out: 15 sec, 30 sec, 45 sec, 60 sec, 3 min, 20 min
- Shut Off Delay: 1 sec, 10 sec, 15 sec, 30 sec
- Auto Flush (30 Seconds After Every 12 Inactive Hours): ON or OFF

**Product Specifications:**

Chrome Plated Brass Electronic Faucet:  
Wall Mt. Rigid Gooseneck w/ VR Aerator, AC/DC Control Module  
w/ Internal Flow Control Setting Switches, Thermostatic  
Temperature Control Mixing Valve w/ Check Valves,  
18" Hot & Cold Supply Stop Flexible Connector Hoses

**Product Compliance:**

ASME A112.18.1 / CSA B125.1  
NSF 61 - Section 9  
NSF 372 (Low Lead Content)  
ANSI A117.1 (ADA)  
UL 1951  
ASSE 1070 (TMV)